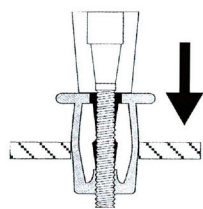


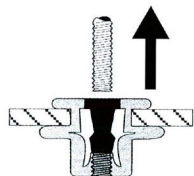


# Top Screw Metal Corp.

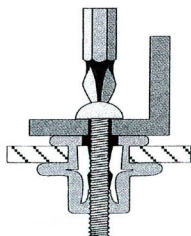
## Jack Nut



1. Thread insert onto the mandrel of installation tool, then insert all the way into predrilled hole until flange is firmly against mounting surface.



2. Fully collapse insert, then remove tool.



3. Pass machine screw through part to be fastened, then tighten until snug.



### Applications

- Spoilers and other aerodynamic devices
- Licence plate brackets
- High-lamp stop lights
- Air conditioning condensers
- Glove compartments
- Speaker housings
- Latch mountings
- Truck utility compartments

### Features

- Fastens in blind holes
- Fastens securely despite burrs and uneven substrates
- Not hole size sensitive
- Suitable for wide grip range

The Blind Jack Nut is an economical blind fastener designed for assembly line use in thin, soft or brittle materials. When tightened, the body collapses to form legs which grip the inside of the mounting surface, leaving a permanent reusable threaded insert.

Standard Blind Jack Nuts are manufactured of steel with a commercial zinc plating.

All Blind Jack nuts can be supplied with brass coated flanges which assist galvanic corrosion concerns.

Part Number	Thread Size	Screw Size	Grip Range (mm)	Hole Size (mm)	Total Length (mm)
TJM01	M4	M4x25	0-5	8	17
TJM02	M4	M4x30	5-10	8	22
TJM03	M5	M5x26	0-5	10	18
TJM04	M5	M5x31	5-10	10	23
TJM05	M6	M6x27	0-5	12	18
TJM06	M6	M6x32	5-10	12	23
TJU01	1/8	6-32x25	0-5	8	17
TJU02	1/8	6-32x30	5-10	8	22
TJU03	3/16	10-24x26	0-5	10	18
TJU04	3/16	10-24x31	5-10	10	23
TJU05	1/4	1/4-20x27	0-5	12	18
TJU06	1/4	1/4-20x32	5-10	12	23

### Blind Jack Nut Tools

An economical, easy-to-use tool for low-volume installation in any material. Thread pull-rod into Blind Jack Nut, insert into hole, and squeeze handles to set. Interchangeable pull-out rods available to set all sizes. Pneumatic Blind Jack Nut Tool also available.

TEL: +886-4-7237159

FAX: +886-4-7246640

E-mail: [recept@topscrew.com.tw](mailto:recept@topscrew.com.tw)

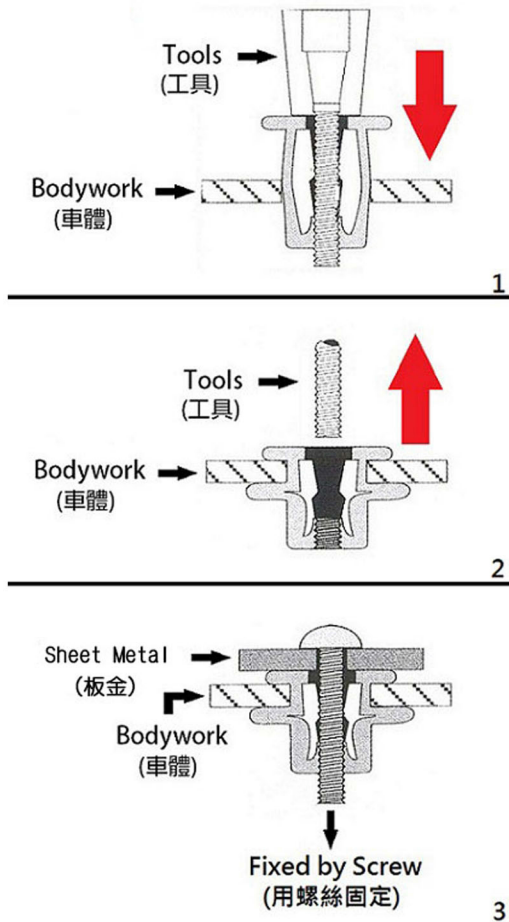
[www.topscrew.com.tw/products](http://www.topscrew.com.tw/products)

Address: 78, Lane 415, Tay Ho RD., Sec. 2, Ku Yi Li, Changhwa City, Taiwan, R. O. C.



# 晟睿實業有限公司

## 捷克帽



捷克帽是一項輕量扣件，設計安裝於輕薄、柔軟或易碎的材質上。控緊時，捷克帽的身體會折疊變形，形成四個腳，緊抓住安裝物件的表面下方，形成一個可永久使用的內牙。標準的捷克帽由鐵鍍鋅製成，基於電化學腐蝕/雙金屬腐蝕的考量，所有材質的捷克帽均可鍍銅。

捷克帽之材質:鐵、白鐵304、銅  
特性：

1. 捷克帽適於組裝於盲孔物件上。
2. 捷克帽可緊扣於平滑無毛邊的物件上。
3. 捷克帽適用於各種孔徑。
4. 捷克帽適用的板厚範圍大。

Part Number	Thread Size	Screw Size	Grip Range (mm)	Hole Size (mm)	Total Length (mm)
TJM01	M4	M4x25	0-5	8	17
TJM02	M4	M4x30	5-10	8	22
TJM03	M5	M5x26	0-5	10	18
TJM04	M5	M5x31	5-10	10	23
TJM05	M6	M6x27	0-5	12	18
TJM06	M6	M6x32	5-10	12	23
TJU01	1/8	6-32x25	0-5	8	17
TJU02	1/8	6-32x30	5-10	8	22
TJU03	3/16	10-24x26	0-5	10	18
TJU04	3/16	10-24x31	5-10	10	23
TJU05	1/4	1/4-20x27	0-5	12	18
TJU06	1/4	1/4-20x32	5-10	12	23



電話: 886-4-7283965

傳真: 886-4-7283897

E-mail: ironman53153551@gmail.com

ironman53153551.weebly.com/

地址: 彰化縣彰化市古夷里泰和路二段415巷78號