

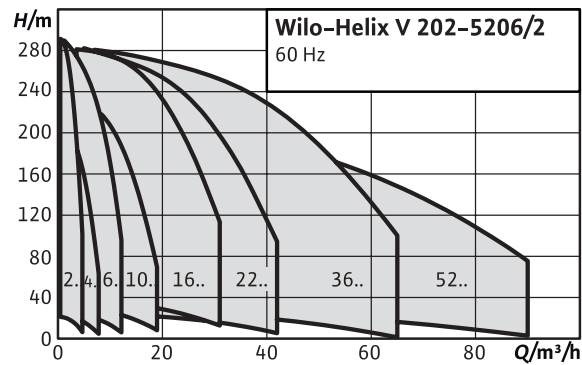
Pioneering for You

wilo

Range Leaflet – Edition 03/2017 – 60 Hz

Wilo-Helix V \ Helix First V





Wilo-Helix V

Design

Non-self-priming, high-efficiency multistage high-pressure centrifugal pump in vertical design with in-line connections

Type key

Example: **Helix V 2202/2-1/16/E/X/KS../460-60**

Helix V	Vertical high-pressure multistage centrifugal pump in in-line design
22	Flow rate in m ³ /h
02	Number of impellers
2	Number of trimmed impellers (optionally)
1	Pump material
	1 = Pump housing 1.4301 (AISI 304) Hydraulics 1.4307 (AISI 304L)
	2 = Pump housing 1.4409 (AISI 316L) Hydraulics 1.4404 (AISI 316L)
16	Maximum operating pressure in bar
	16 = 16 bar (PN 16 flange) 25 = 25 bar (PN 25 flange) 30 = 30 bar (PN 40 flange)
E	Gasket type
	E = EPDM V = FKM
X	"X-Care" special version
K	Cartridge type mechanical seal
S	The coupling guard is on a line with suction and discharge ports of the pump.
..	Optional
460	Connection voltage in V
60	Frequency in Hz

Special features/product advantages

- Efficiency-optimised, laser-welded 2D/3D hydraulics, flow and degassing optimised
- Corrosion-resistant impellers, guide vane apparatuses and stage housings
- Flow and NPSH-optimised pump housing
- Maintenance-friendly design with particularly robust coupling guard
- Drinking water approval for pumps with parts that come in contact with the fluid made of stainless steel (EPDM version)
- The spacer coupling enables the mechanical seal to be replaced without dismantling the motor (from 7.5 kW and higher)
- Additional roller bearing in the lantern for maximum compensation of the hydraulic axial thrust and for use of standard motors

Application

- Water supply and pressure boosting
- Industrial circulation systems
- Process water
- Closed cooling circuits
- Fire extinguishing systems
- Washing systems
- Irrigation

Technical data

- Electrical connection: 3~440-480 V (±6%), 60 Hz; optional 3~440-480 V (±6%), 60 Hz
- Pump performance with ISO 9906-Gr II

- Fluid temperature range:
 - Helix V 2 – 16 (EPDM): –30 to 120 °C (130 °C on request)
 - Helix V 2 – 16 for aggressive media (FKM): –15 to 90 °C
 - Helix V22 – 52 (EPDM): –20 to 120 °C (130 °C on request)
 - Helix V22 – 52 for aggressive media (FKM): –15 to 90 °C
- Max. operating pressure: 16/25/30 bar
- Protection class: IP 55
- Max. ambient temperature: –15 to 40 °C (extended temperature ranges on request)
- Available versions:
 - Helix V 2 – 16: PN 16 with oval flanges, PN 25 with round flanges according to ISO 2531 and ISO 7005 (Victaulic coupling on request)
 - Helix V 22 – 52: PN 16/PN 25/PN 40 with round flanges according to ISO 2531 and ISO 7005

Equipment/function

- Corrosion-resistant impellers, diffusers and stage housings

Materials

Helix V 2, 4, 6, 10, 16:

Standard version

- Impellers, stage housings and guide vane apparatuses of stainless steel 1.4307 (AISI 304L)
- Pump housing made of stainless steel 1.4301 (AISI 304)
- Baseplate and lantern in EN-GJL-250 (cataphoretic coated)
- Shaft made of stainless steel 1.4301 (AISI 304) or 1.4462 (AISI 318LN) (depending on version)
- Sleeve under the mechanical seal 1.4404 (AISI 316L)
- O-ring of EPDM (FKM gasket on request)
- Jacket pipe made of stainless steel 1.4301 (AISI 304)

For aggressive media (optional)

- Impellers, stage housings and guide vane apparatuses of stainless steel 1.4404 (AISI 316L)
- Pump housing made of stainless steel 1.4404 (AISI 316L)
- Shaft made of stainless steel 1.4404 (AISI 316L) or 1.4462 (AISI 318LN) (depending on version)
- Sleeve under the mechanical seal 1.4404 (AISI 316L)

- O-ring of FKM (EPDM gasket on request)
- Jacket pipe made of stainless steel 1.4404 (AISI 316L)

Helix V 22, 36, 52:

Standard version

- Stage housings, impellers, guide vane apparatuses made of stainless steel 1.4307 (AISI 304L)
- Pump housing made of stainless steel 1.4308 (AISI 304), loose flanges made of cataphoretic-coated grey cast iron EN-GJL 250 for Helix V 22 / EN-GJS 400 for Helix V 36–52.
- Shaft made of stainless steel 1.4057 (AISI 431)
- Sleeve under the mechanical seal 1.4404 (AISI 316L)
- O-ring of EPDM (FKM gasket on request)
- Jacket pipe made of stainless steel 1.4301 (AISI 304)

For aggressive media (optional)

- Stage housings, impellers, and guide vane apparatuses made of stainless steel 1.4404 (AISI 316L)
- Pump housing: all parts which come in contact with the media are made of cast stainless steel 1.4409 (AISI 316L); loose flanges of cataphoretic-coated grey cast iron EN-GJL 250 for Helix V 22 / EN-GJS 400 for Helix V

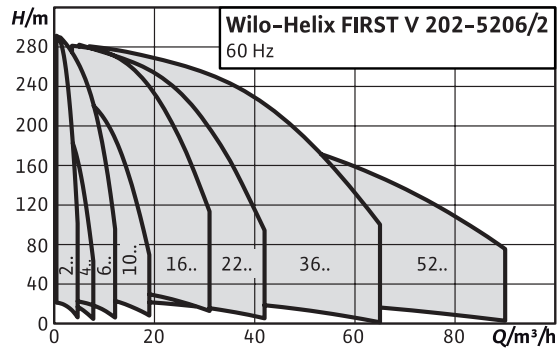
- Baseplate made of stainless steel 1.4301 (AISI 304)
- Shaft made of stainless steel 1.4404 (AISI 316L) or 1.4462 (AISI 318LN) (depending on version)
- Sleeve under the mechanical seal 1.4404 (AISI 316L)
- O-ring of FKM (EPDM gasket on request)
- Pressure shroud made of stainless steel 1.4404 (AISI

Description/design

- Pumps can be adapted to specific circumstances on request (e.g. motor protection, ATEX, extended ambient temperature range).
- The Helix series is also available with an integrated frequency converter.

Scope of delivery

- Helix V high-pressure multistage centrifugal pump
- Installation and operating instructions
- Helix V 2 – 16 (version PN16 with oval flanges): Oval counter flanges with the corresponding screws, nuts and



Wilo-Helix FIRST V

Design

Non-self-priming, high-efficiency multistage high-pressure centrifugal pump in vertical design with in-line connections

Type key

Example: **Helix FIRST V 3606/2-5/25/E/KS/./460-60**

Helix FIRST V Vertical high-pressure multistage centrifugal pump in in-line design

- 36 Flow rate in m³/h
- 06 Number of impellers
- 2 Number of trimmed impellers
- 5 Pump material
 - 5 = Pump housing EN-GJL-250 cataphoretic-coated
 - Hydraulics 1.4307 (AISI 304L)
- 25 Maximum operating pressure in bar
 - 16 = Helix FIRST V 2.. to 16..: 16 bar: Oval flange PN 16

Helix FIRST V 22.. to 52..: 16 bar:
DIN round flange PN 16
25 = Helix FIRST V 2.. to 16.. -5/25/E/S/..
16 bar: DIN round flange PN 25

Helix FIRST V 2.. to 16.. -5/25/E/KS/..
25 bar:
DIN round flange PN 25

Helix FIRST V 22.. to 52..: 25 bar:
DIN round flange PN 25
30 = Helix FIRST V 2.. to 52..: 30 bar:
DIN round flange PN 40

- E Seal type
- E = EPDM

Special features/product advantages

- Efficiency-optimised, laser-welded, optimised 2D/3D hydraulics
- Corrosion-resistant impellers, guide vane apparatuses and stage housings
- Flow and degassing-optimised hydraulic parts
- Reinforced pump housing, flow and NPSH optimised
- Space-saving and easy maintenance thanks to compact design
- Particularly sturdy coupling guard
- The spacer coupling enables the mechanical seal to be replaced without dismantling the motor (from 7.5 kW and higher)
- Additional roller bearing in the lantern for maximum compensation of the hydraulic axial thrust and for use of standard motors

- K** Cartridge type mechanical seal
- S** The coupling guard is on a line with suction and discharge ports of the pump.
- 460** Connection voltage in V
- 60** Frequency in Hz

Application

- Water distribution and pressure boosting
- Industrial circulation systems
- Process water
- Closed cooling circuits
- Fire extinguishing systems
- Washing systems
- Irrigation

Technical data

- Electrical connection: 3~440–480 V ($\pm 6\%$), 60 Hz; optional 3~440–480 V ($\pm 6\%$), 60 Hz
- Fluid temperature range: -20 to 120 °C
- Pump performance with ISO 9906–Gr II
- Max. operating pressure: 16, 25 or 30 bar
- Protection class: IP 55
- Max. ambient temperature: -15 °C – $+40$ °C (extended temperature ranges on request)
- Helix FIRST V 2 – 16: PN 16 with oval flanges, PN 25/PN 40 with round flanges according to ISO 2531 and ISO 7005
- Helix FIRSTV 22 – 52: PN 16/PN 25/PN 40 with round flanges according to ISO 2531 and ISO 7005

Equipment/function

- Corrosion-resistant impellers, diffusors and stage housings

Materials

- Impellers, stage housings and guide vane apparatuses of stainless steel 1.4307 (AISI 304L)
- Pump housing made of EN-GJL-250, cataphoretically

- Shaft made of stainless steel 1.4057 (AISI 304L)
- Sleeve under the mechanical seal 1.4404 (AISI 316L)
- O-Ring made of EPDM
- Jacket pipe made of stainless steel 1.4301 (AISI 304)

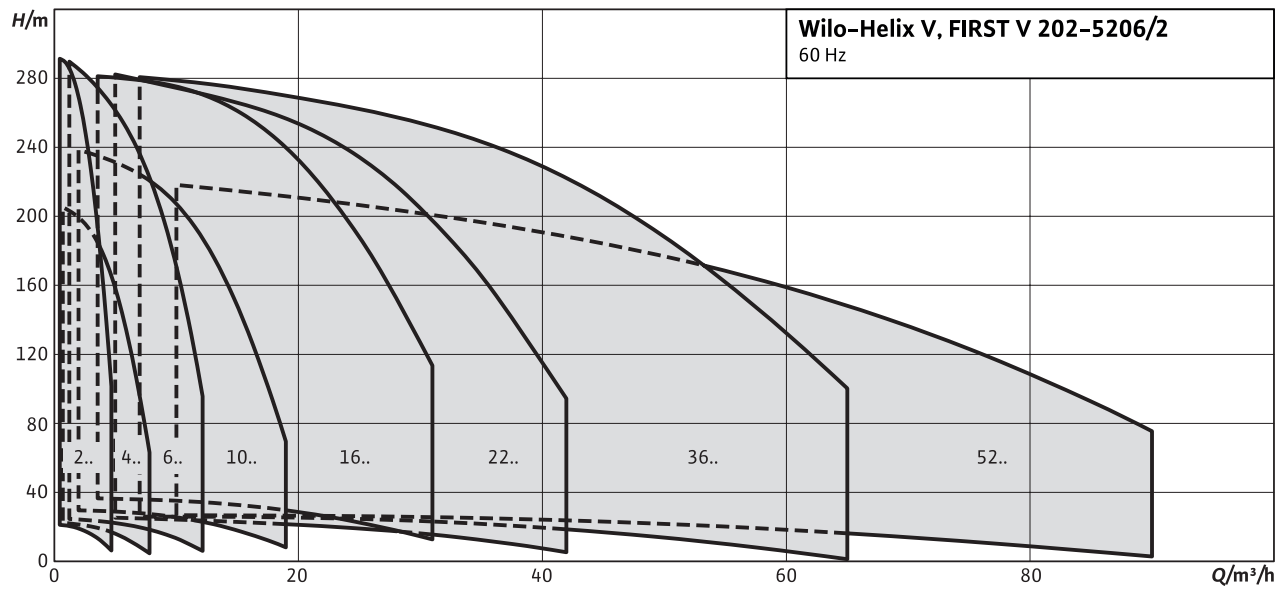
Description/design

- Pumps can be adapted to specific circumstances on request (e.g. motor protection, ATEX, extended ambient temperature range).

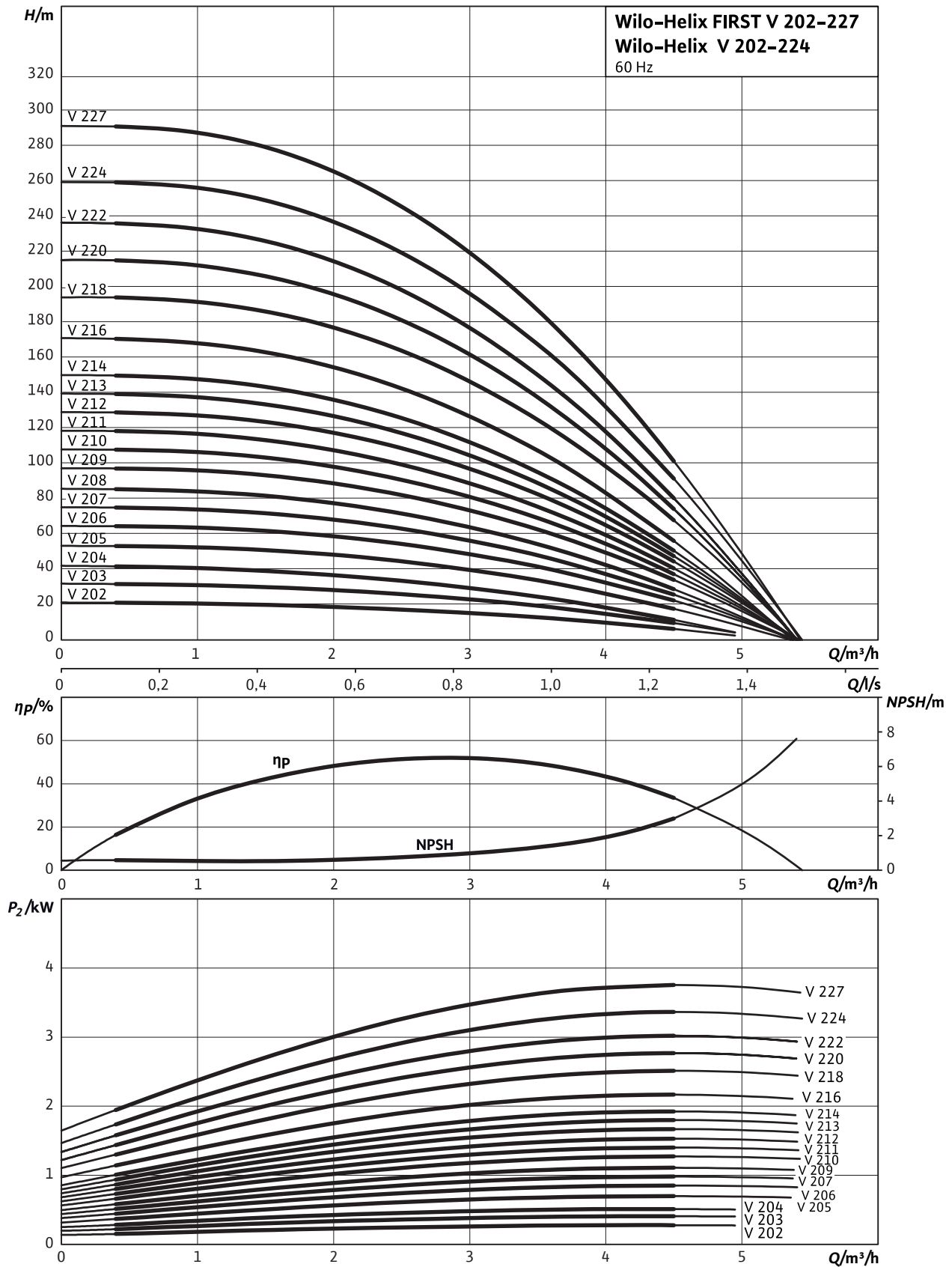
Scope of delivery

- Helix FIRST V high-pressure multistage centrifugal pump
- Installation and operating instructions
- Helix FIRST 2 – 16 (version PN16 with oval flanges): Cast iron counter flanges with the corresponding screws, nuts and gaskets

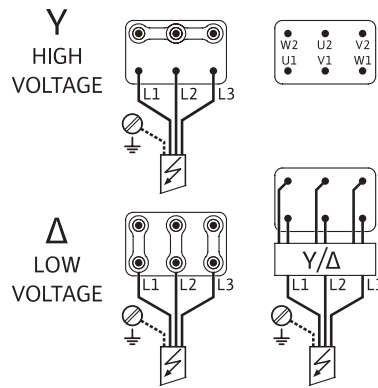
Pump curves



Pump curves Helix V 2xx



Terminal diagram

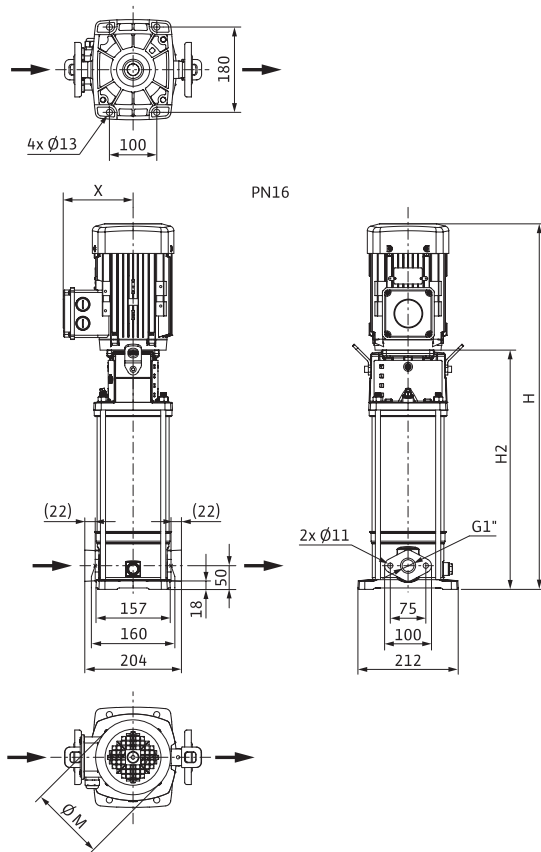


Motor data

Type	Rated power P_2 kW	Nominal current 3~460 V, 60 Hz I A	Motor efficiency		
			$\eta_{m 50\%}$	$\eta_{m 75\%}$ %	$\eta_{m 100\%}$
Helix FIRST V/HelixV 202	0.37	0.86	68.5	74.5	76.0
Helix FIRST V/HelixV 203	0.55	1.34	75.0	76.8	76.8
Helix FIRST V/HelixV 204	0.55	1.34	75.0	76.8	76.8
Helix FIRST V/HelixV 205	0.75	1.4	71.5	75.4	77.0
Helix FIRST V/HelixV 206	1.10	1.9	78.0	82.2	84.0
Helix FIRST V/HelixV 207	1.10	1.9	78.0	82.2	84.0
Helix FIRST V/HelixV 208	1.10	1.9	78.0	82.2	84.0
Helix FIRST V/HelixV 209	1.50	2.8	79.0	85.6	85.5
Helix FIRST V/HelixV 210	1.50	2.8	79.0	85.6	85.5
Helix FIRST V/HelixV 211	1.50	2.8	79.0	85.6	85.5
Helix FIRST V/HelixV 212	2.20	3.9	84.3	86.7	86.5
Helix FIRST V/HelixV 213	2.20	3.9	84.3	86.7	86.5
Helix FIRST V/HelixV 214	2.20	3.9	84.3	86.7	86.5
Helix FIRST V/HelixV 216	2.20	3.9	84.3	86.7	86.5
Helix FIRST V/HelixV 218	3.00	4.9	86.3	88.7	88.5
Helix FIRST V/HelixV220	3.00	4.9	86.3	88.7	88.5
Helix FIRST V/HelixV 222	3.00	4.9	86.3	88.7	88.5
Helix FIRST V 224	4.00	7	86.3	88.0	88.5
Helix FIRST V 227	4.00	7	86.3	88.0	88.5

Motor efficiency based on 460 V, 60 Hz
 Wilo-Helix V 201 available upon request

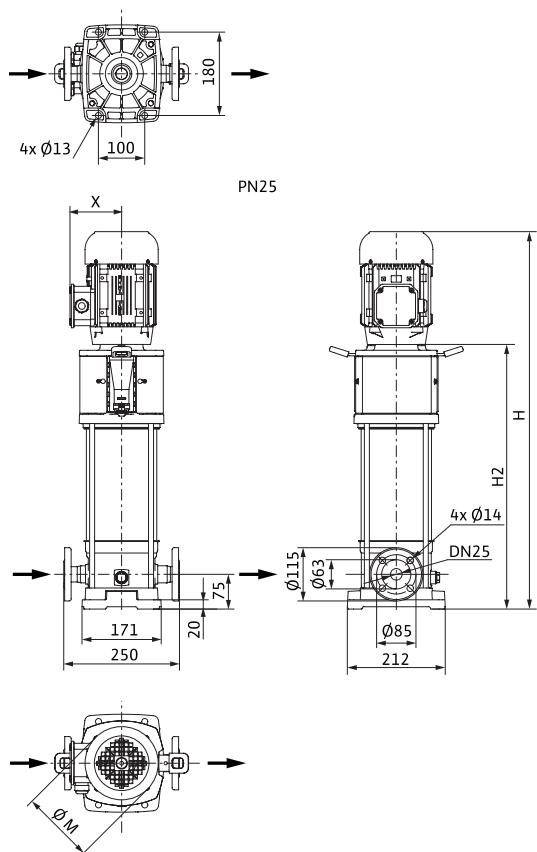
Dimension drawing Helix V 2/V4, PN 16



Dimensions, weights

Type	Maximum operating pressure p_{max} bar	Nominal diameter, flange DN	Dimensions				Weight approx. m kg	
			H	H2	$\varnothing M$	X		
Helix V 202	16	G 1	-	535	311	130	121	16.0
Helix V 203	16	G 1	-	560	336	130	121	18.0
Helix V 204	16	G 1	-	585	361	130	121	18.0
Helix V 205	16	G 1	-	640	396	158	115	24.0
Helix V 206	16	G 1	-	665	421	158	115	26.0
Helix V 207	16	G 1	-	690	446	158	115	26.0
Helix V 208	16	G 1	-	715	471	158	115	27.0
Helix V 209	16	G 1	-	773	506	193	132	32.0
Helix V 210	16	G 1	-	798	531	193	132	33.0
Helix V 211	16	G 1	-	823	556	193	132	33.0
Helix V 212	16	G 1	-	848	581	193	132	35.0
Helix V 213	16	G 1	-	922	702	195	134	42.0
Helix V 214	16	G 1	-	949	702	195	148	44.0

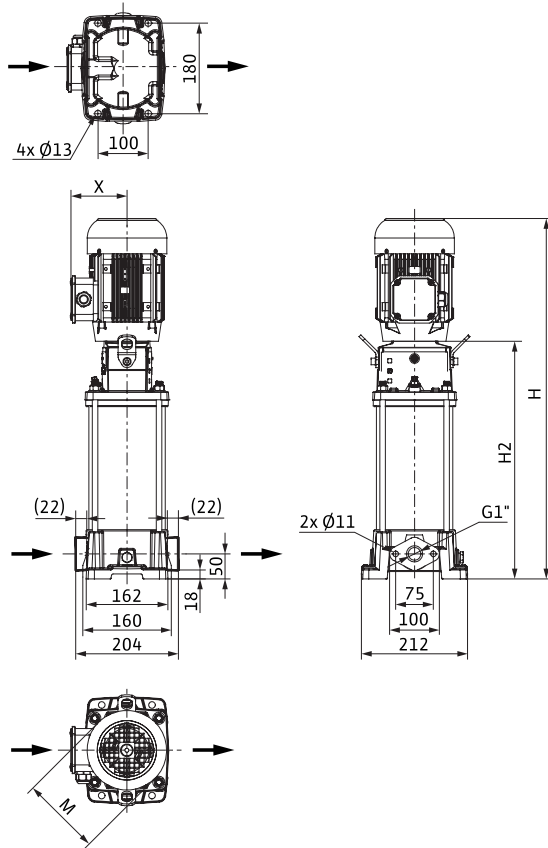
Dimension drawing Helix V 2/V 4, PN 25



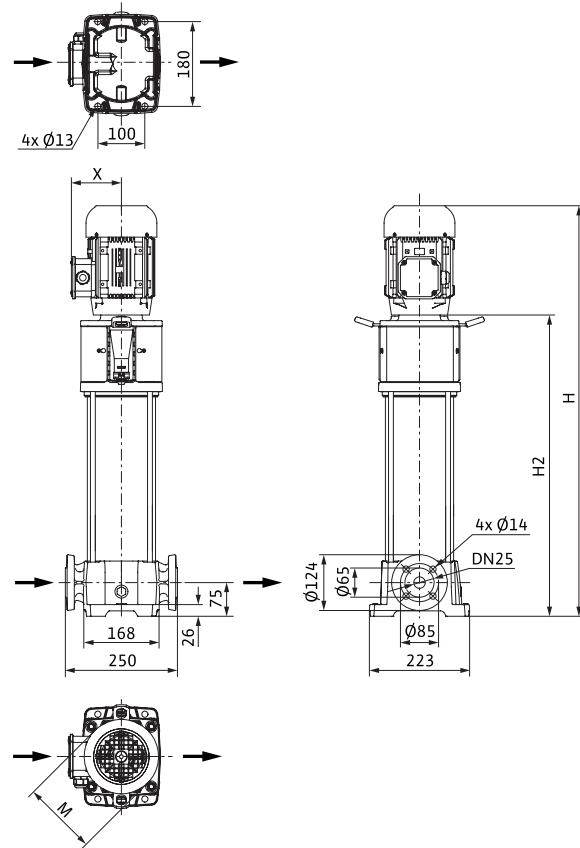
Dimensions, weights

Type	Maximum operating pressure p_{max} bar	Nominal diameter, flange	Nominal flange diameter DN	Dimensions				Weight approx. m kg
				H	H2	mm	$\varnothing M$	
Helix V 202	25	-	25	560	336	130	121	16.0
Helix V 203	25	-	25	585	361	130	121	18.0
Helix V 204	25	-	25	610	386	130	121	18.0
Helix V 205	25	-	25	665	421	158	115	24.0
Helix V 206	25	-	25	690	446	158	115	26.0
Helix V 207	25	-	25	715	471	158	115	26.0
Helix V 208	25	-	25	740	496	158	115	27.0
Helix V 209	25	-	25	798	531	193	132	32.0
Helix V 210	25	-	25	823	556	193	132	33.0
Helix V 211	25	-	25	848	581	193	132	33.0
Helix V 212	25	-	25	873	606	193	132	35.0
Helix V 213	25	-	25	973	706	193	132	44.0
Helix V 214	25	-	25	973	706	193	132	44.0
Helix V 216	25	-	25	1023	756	193	132	45.0
Helix V 218	25	-	25	1108	816	217	141	53.0
Helix V 220	25	-	25	1158	866	217	141	54.0
Helix V 222	25	-	25	1258	966	217	141	55.0

Dimension drawing Helix FIRST V 2-4, PN 16



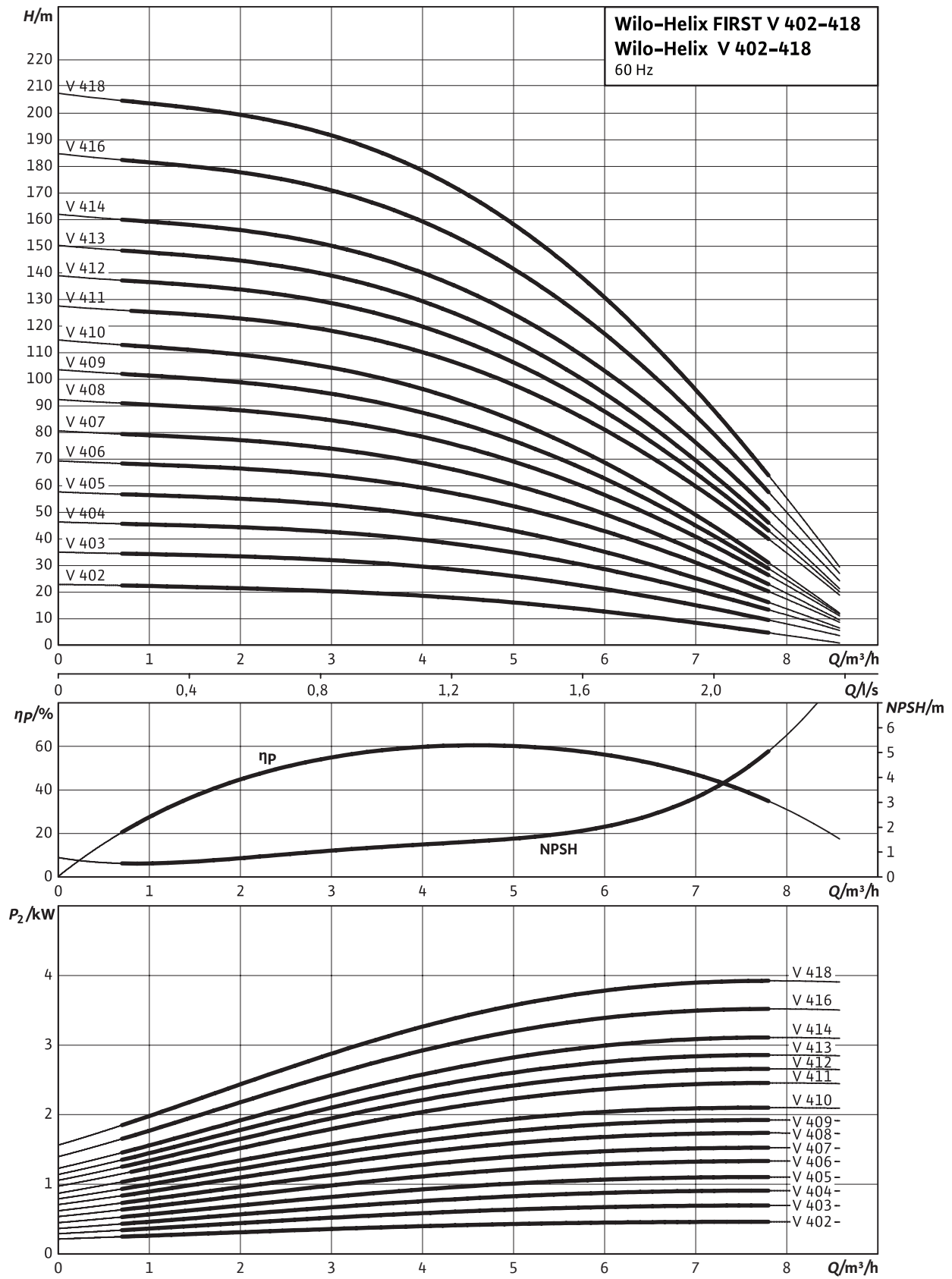
Dimension drawing Helix FIRST V 2-4, 25, 30 bar



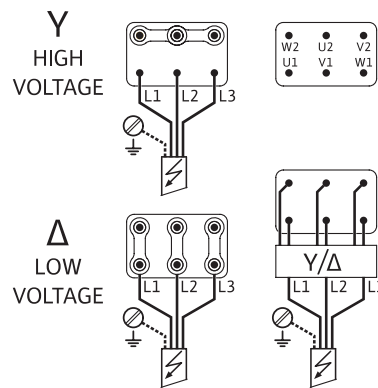
Dimensions, weights

Type	Maximum operating pressure	Nominal diameter, flange	Nominal flange diameter	Dimensions					Weight approx.
				H	H2	mm	Ø M	X	
Helix FIRST V 202	16	G 1	-	513	289		130	121	18.2
Helix FIRST V 203	16	G 1	-	538	314		130	121	19.7
Helix FIRST V 204	16	G 1	-	563	339		130	121	20.2
Helix FIRST V 205	16	G 1	-	618	374		158	115	26.4
Helix FIRST V 206	16	G 1	-	643	399		158	115	27.7
Helix FIRST V 207	16	G 1	-	668	424		158	115	28.2
Helix FIRST V 208	16	G 1	-	693	449		158	115	28.7
Helix FIRST V 209	16	G 1	-	751	484		193	132	33.7
Helix FIRST V 210	16	G 1	-	776	509		193	132	35.1
Helix FIRST V 211	16	G 1	-	801	534		193	132	35.6
Helix FIRST V 212	16	G 1	-	826	559		193	132	37.1
Helix FIRST V 213	25	-	25	949	682		193	132	47.2
Helix FIRST V 214	25	-	25	949	682		193	132	47.3
Helix FIRST V 216	25	-	25	999	732		193	132	48.3
Helix FIRST V 218	25	-	25	1084	792		217	141	56.0
Helix FIRST V 220	30	-	25	1135	843		217	141	57.0
Helix FIRST V 222	30	-	25	1235	943		217	141	59.0
Helix FIRST V 224	30	-	25	1249	943		196	145	60.0
Helix FIRST V 227	30	-	25	1324	1018		196	145	62.0

Pump curves Helix V 4xx



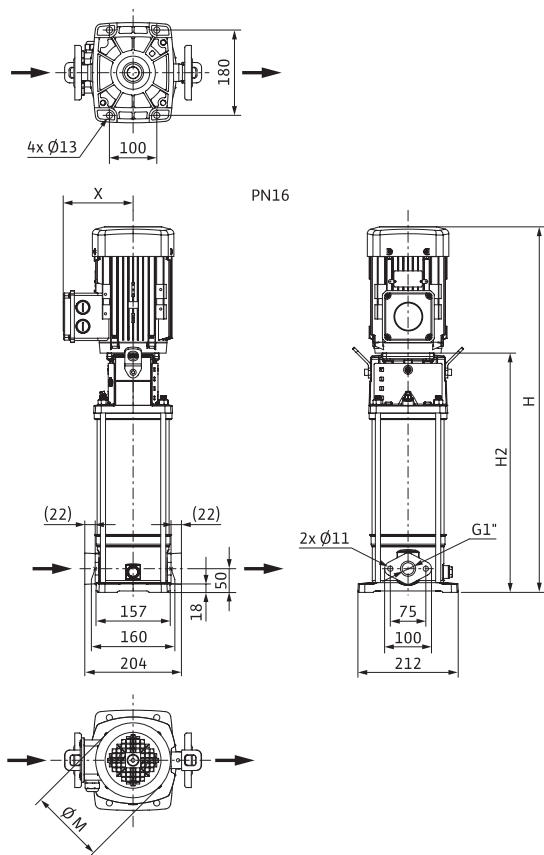
Terminal diagram



Motor data

Type	Rated power P_2 kW	Nominal current 3~460 V, 60 Hz I	Motor efficiency		
			$\eta_{m 50\%}$	$\eta_{m 75\%}$ %	$\eta_{m 100\%}$
Helix FIRST V/HelixV 402	0.55	1.34	75.0	76.8	76.8
Helix FIRST V/HelixV 403	0.75	1.4	71.5	75.4	77.0
Helix FIRST V/HelixV 404	1.10	1.9	78.0	82.2	84.0
Helix FIRST V/HelixV 405	1.10	1.9	78.0	82.2	84.0
Helix FIRST V/HelixV 406	1.50	2.8	79.0	85.6	85.5
Helix FIRST V/HelixV 407	1.50	2.8	79.0	85.6	85.5
Helix FIRST V/HelixV 408	2.20	3.9	84.3	86.7	86.5
Helix FIRST V/HelixV 409	2.20	3.9	84.3	86.7	86.5
Helix FIRST V/HelixV 410	2.20	3.9	84.3	86.7	86.5
Helix FIRST V/HelixV 411	3.00	4.9	86.3	88.7	88.5
Helix FIRST V/HelixV 412	3.00	4.9	86.3	88.7	88.5
Helix FIRST V/HelixV 413	3.00	4.9	86.3	88.7	88.5
Helix FIRST V/HelixV 414	4.00	7	86.3	88.0	88.5
Helix FIRST V/HelixV 416	4.00	7	86.3	88.0	88.5
Helix FIRST V/HelixV 418	4.00	7	86.3	88.0	88.5

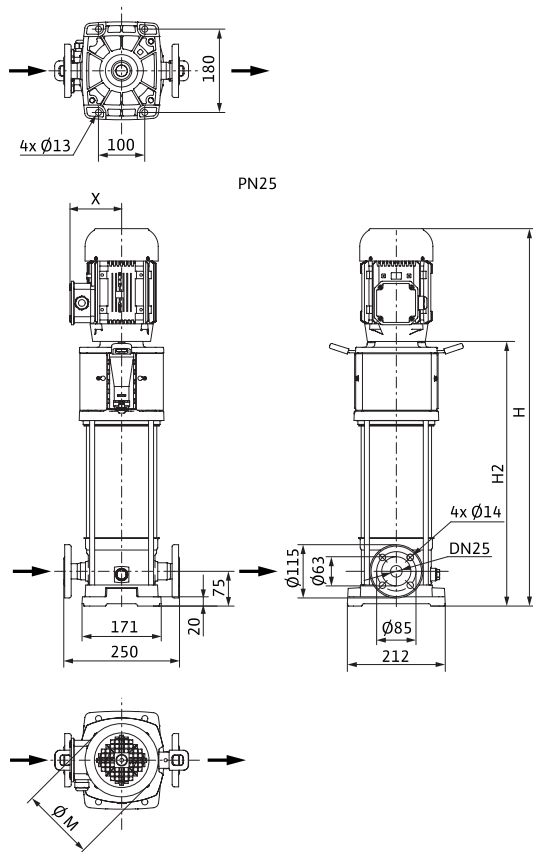
Dimension drawing Helix V 2/V4, PN 16



Dimensions, weights

Type	Maximum operating pressure	Nominal diameter, flange	Nominal flange diameter	Dimensions				Weight approx.
				H	H2	mm	ØM	
	p_{max} bar		DN					
Helix V 402	16	G 1	-	535	311	130	121	17.0
Helix V 403	16	G 1	-	590	346	158	115	23.0
Helix V 404	16	G 1	-	615	371	158	115	24.0
Helix V 405	16	G 1	-	640	396	158	115	25.0
Helix V 406	16	G 1	-	698	431	193	132	30.0
Helix V 407	16	G 1	-	723	456	193	132	31.0
Helix V 408	16	G 1	-	748	481	193	132	33.0
Helix V 409	16	G 1	-	773	506	193	132	33.0
Helix V 410	16	G 1	-	798	531	193	132	34.0
Helix V 411	16	G 1	-	858	566	217	141	41.0
Helix V 412	16	G 1	-	996	666	195	148	49.0
Helix V 413	16	G 1	-	1046	716	195	148	50.0

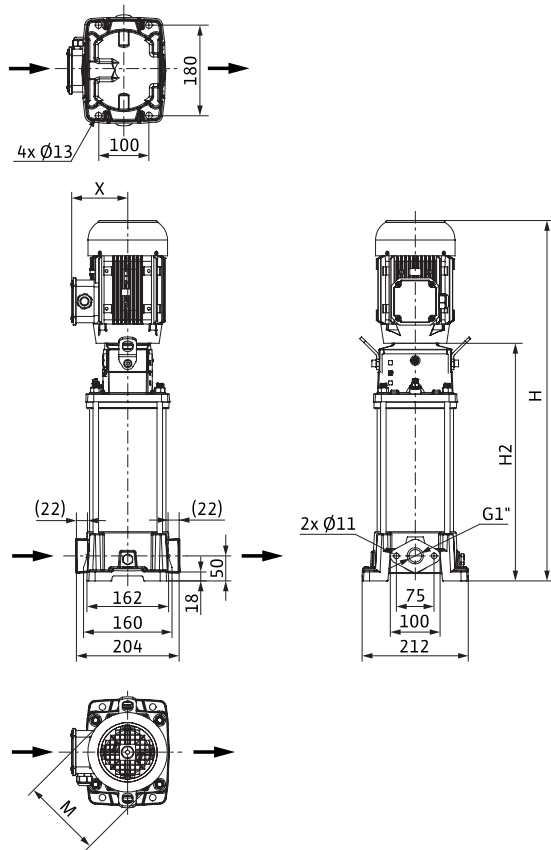
Dimension drawing Helix V 2/V 4, PN 25



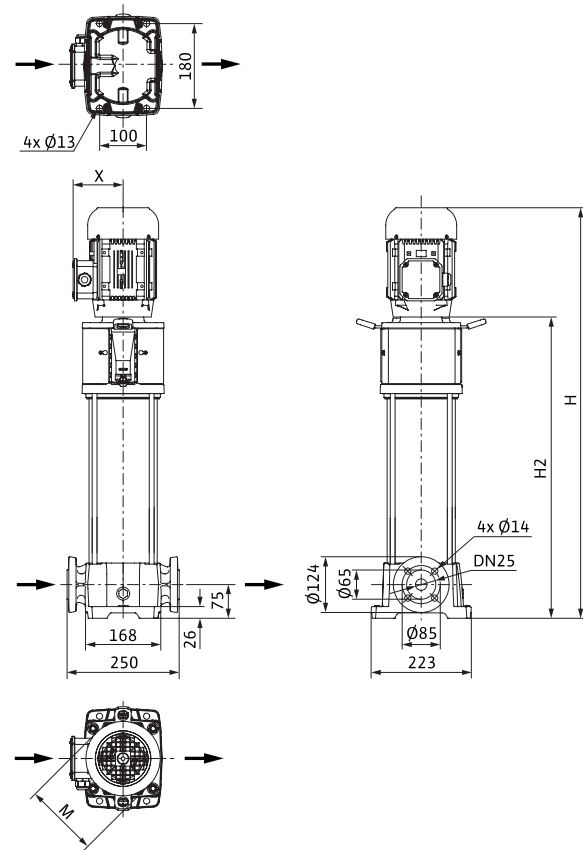
Dimensions, weights

Type	Maximum operating pressure P_{max} bar	Nominal diameter, flange	Nominal flange diameter	Dimensions				Weight approx. m kg
				H	$H2$	$\varnothing M$	X	
Helix V 402	25	-	25	560	336	130	121	17.0
Helix V 403	25	-	25	615	371	158	115	23.0
Helix V 404	25	-	25	640	396	158	115	24.0
Helix V 405	25	-	25	665	421	158	115	25.0
Helix V 406	25	-	25	723	456	193	132	30.0
Helix V 407	25	-	25	748	481	193	132	31.0
Helix V 408	25	-	25	773	506	193	132	33.0
Helix V 409	25	-	25	798	531	193	132	33.0
Helix V 410	25	-	25	823	556	193	132	34.0
Helix V 411	25	-	25	883	591	217	141	41.0
Helix V 412	25	-	25	958	666	217	141	50.0
Helix V 413	25	-	25	1008	716	217	141	51.0
Helix V 414	25	-	25	1022	716	196	145	52.0
Helix V 416	25	-	25	1072	766	196	145	53.0
Helix V 418	25	-	25	1122	816	196	145	54.0

Dimension drawing Helix FIRST V 2-4, PN 16



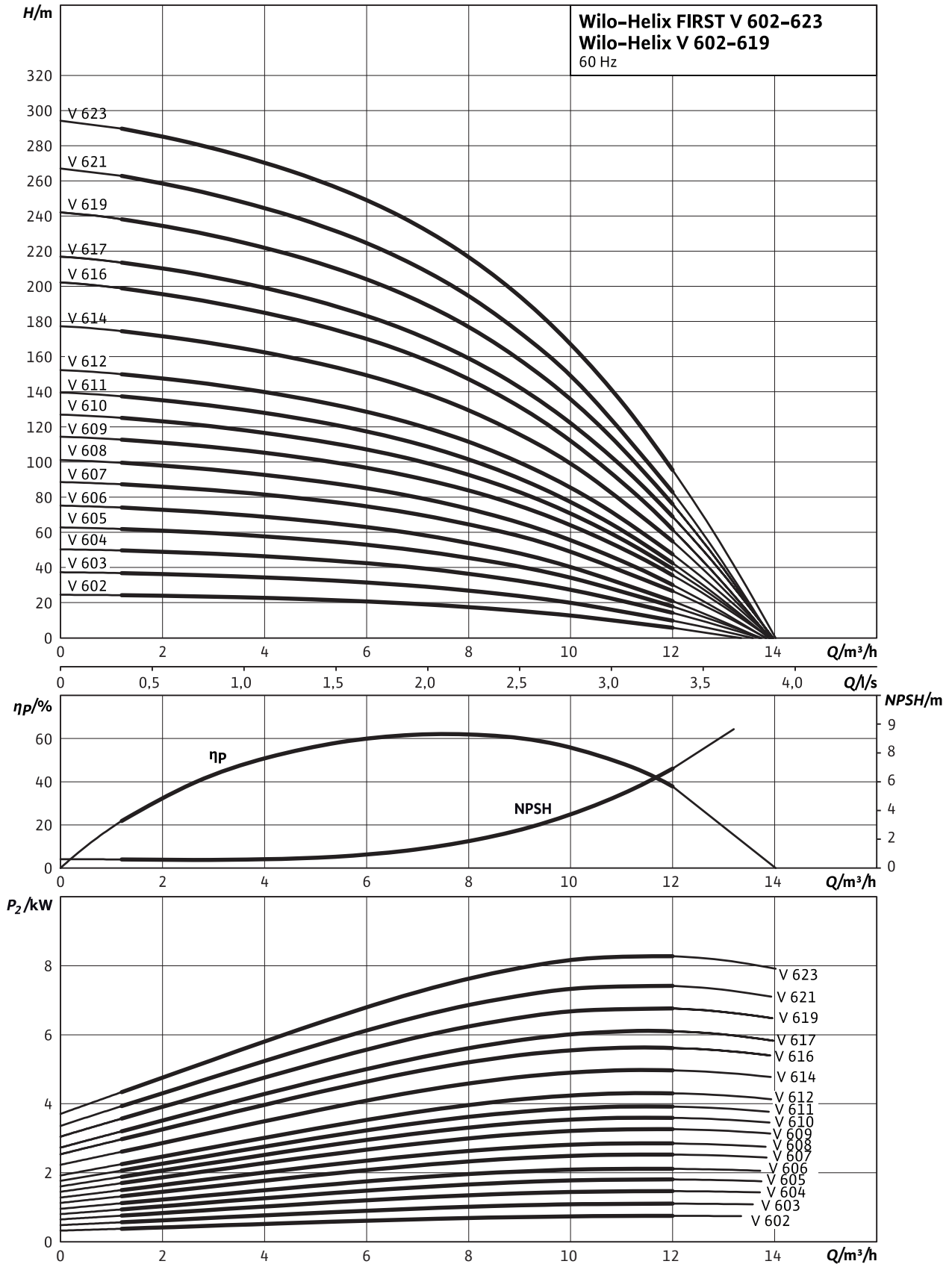
Dimension drawing Helix FIRST V 2-4, 25, 30 bar



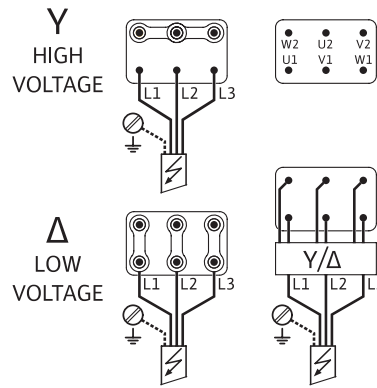
Dimensions, weights

Type	Maximum operating pressure p_{max} bar	Nominal diameter, flange	Nominal flange diameter DN	Dimensions					Weight approx. m kg
				H	H2	mm	$\varnothing M$	X	
Helix FIRST V 402	16	G 1	-	513	289	130	121	19.2	
Helix FIRST V 403	16	G 1	-	568	324	158	115	25.3	
Helix FIRST V 404	16	G 1	-	593	349	158	115	26.6	
Helix FIRST V 405	16	G 1	-	618	374	158	115	27.2	
Helix FIRST V 406	16	G 1	-	676	409	193	132	33.1	
Helix FIRST V 407	16	G 1	-	701	434	193	132	33.6	
Helix FIRST V 408	16	G 1	-	726	459	193	132	35.1	
Helix FIRST V 409	16	G 1	-	751	484	193	132	35.6	
Helix FIRST V 410	16	G 1	-	776	509	193	132	36.1	
Helix FIRST V 411	16	G 1	-	836	544	217	141	43.7	
Helix FIRST V 412	25	-	25	934	642	217	141	53.0	
Helix FIRST V 413	25	-	25	984	692	217	141	54.0	
Helix FIRST V 414	25	-	25	998	692	196	145	55.0	
Helix FIRST V 416	25	-	25	1048	742	196	145	56.0	
Helix FIRST V 418	25	-	25	1098	792	196	145	57.0	

Pump curves Minimum Efficiency Index (MEI): ≥ 0.7



Terminal diagram

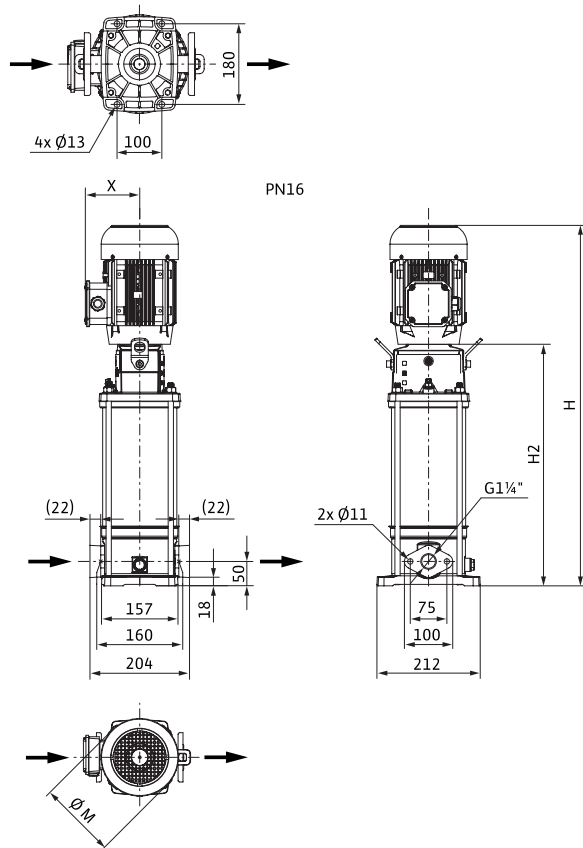


Motor data

Type	Rated power P_2 kW	Nominal current 3~460 V, 60 Hz I	Motor efficiency		
			$\eta_{m 50\%}$	$\eta_{m 75\%}$ %	$\eta_{m 100\%}$
Helix FIRST V/HelixV 602	0.75	1.4	71.5	75.4	77.0
Helix FIRST V/HelixV 603	1.10	1.9	78.0	82.2	84.0
Helix FIRST V/HelixV 604	1.50	2.8	79.0	85.6	85.5
Helix FIRST V/HelixV 605	2.20	3.9	84.3	86.7	86.5
Helix FIRST V/HelixV 606	2.20	3.9	84.3	86.7	86.5
Helix FIRST V/HelixV 607	3.00	4.9	86.3	88.7	88.5
Helix FIRST V/HelixV 608	3.00	4.9	86.3	88.7	88.5
Helix FIRST V/HelixV 609	4.00	7	86.3	88.0	88.5
Helix FIRST V/HelixV 610	4.00	7	86.3	88.0	88.5
Helix FIRST V/HelixV 611	4.00	7	86.3	88.0	88.5
Helix FIRST V/HelixV 612	5.50	9.2	88.0	89.6	89.5
Helix FIRST V/HelixV 614	5.50	9.2	88.0	89.6	89.5
Helix FIRST V/HelixV 616	5.50	9.2	88.0	89.6	89.5
Helix FIRST V/HelixV 617	7.50	11.6	87.8	89.8	90.2
Helix FIRST V/HelixV 619	7.50	11.6	87.8	89.8	90.2
Helix FIRST V 621	7.50	11.6	87.8	89.8	90.2
Helix FIRST V 623	9.00	13.4	86.7	89.3	91.0

Motor efficiency based on 460 V, 60 Hz
Wilo-Helix V 601 available upon request

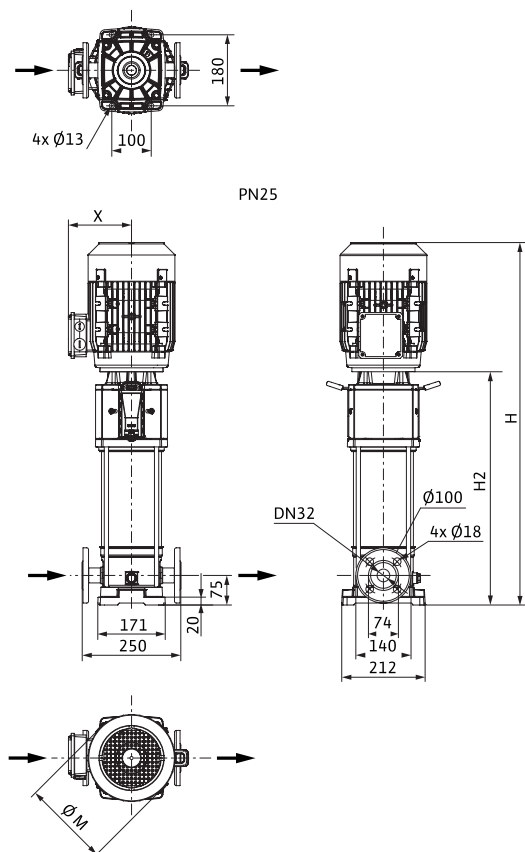
Dimension drawing Helix V 6, PN 16



Dimensions, weights

Type	Maximum operating pressure	Nominal diameter, flange	Nominal flange diameter	Dimensions				Weight approx.
				H	$H2$	$\varnothing M$	X	
	p_{max} bar		DN	mm				m kg
Helix V 602	16	G 1¼	-	590	346	158	115	23.0
Helix V 603	16	G 1¼	-	628	384	158	115	25.0
Helix V 604	16	G 1¼	-	698	431	193	132	31.0
Helix V 605	16	G 1¼	-	736	469	193	132	33.0
Helix V 606	16	G 1¼	-	773	506	193	132	34.0
Helix V 607	16	G 1¼	-	846	554	217	141	42.0
Helix V 608	16	G 1¼	-	883	591	217	141	43.0
Helix V 609	16	G 1¼	-	935	629	196	145	45.0
Helix V 610	16	G 1¼	-	972	666	196	145	46.0
Helix V 611	16	G 1¼	-	1146	816	195	148	57.0
Helix V 612	16	G 1¼	-	1166	816	195	148	57.0

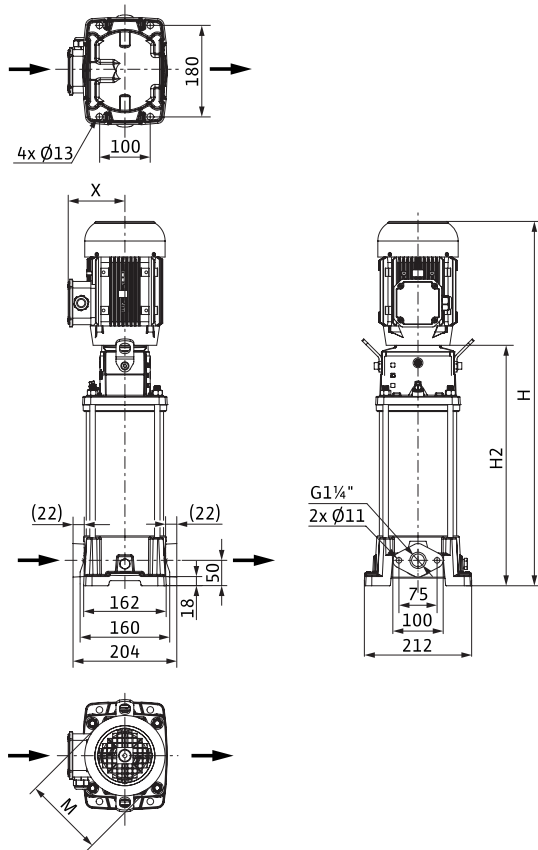
Dimension drawing Helix V 6, PN 25



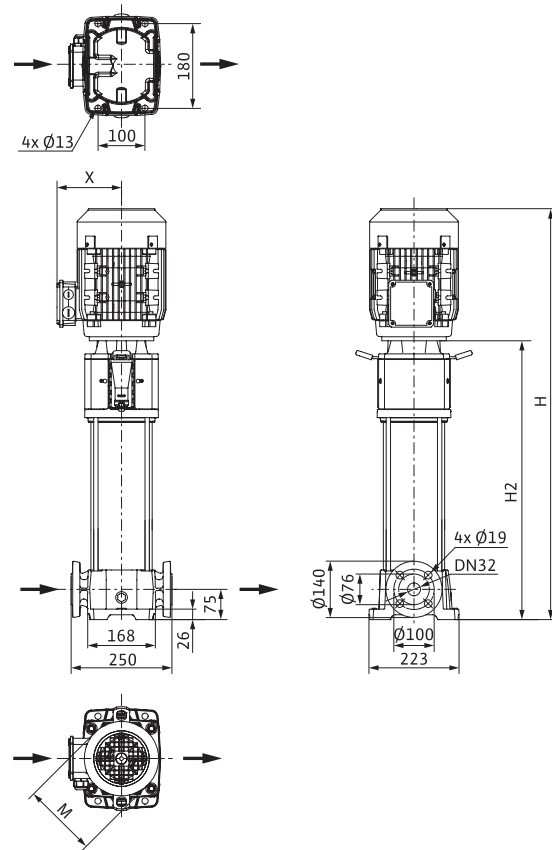
Dimensions, weights

Type	Maximum operating pressure p_{max} bar	Nominal diameter, flange	Nominal flange diameter DN	Dimensions					Weight approx. m kg
				H	H2	mm	ØM	X	
Helix V 602	25	-	32	615	371	158	115	23.0	
Helix V 603	25	-	32	653	409	158	115	25.0	
Helix V 604	25	-	32	723	456	193	132	31.0	
Helix V 605	25	-	32	761	494	193	132	33.0	
Helix V 606	25	-	32	798	531	193	132	34.0	
Helix V 607	25	-	32	871	579	217	141	42.0	
Helix V 608	25	-	32	908	616	217	141	43.0	
Helix V 609	25	-	32	960	654	196	145	45.0	
Helix V 610	25	-	32	997	691	196	145	46.0	
Helix V 611	25	-	32	1122	816	196	145	55.0	
Helix V 612	25	-	32	1152	816	232	149	60.0	
Helix V 614	25	-	32	1227	891	232	149	62.0	
Helix V 616	25	-	32	1302	966	232	149	64.0	
Helix V 617	25	-	32	1511	1161	225	160	71.0	
Helix V 619	25	-	32	1586	1236	225	160	72.0	

Dimension drawing Helix FIRST V 6, PN 16



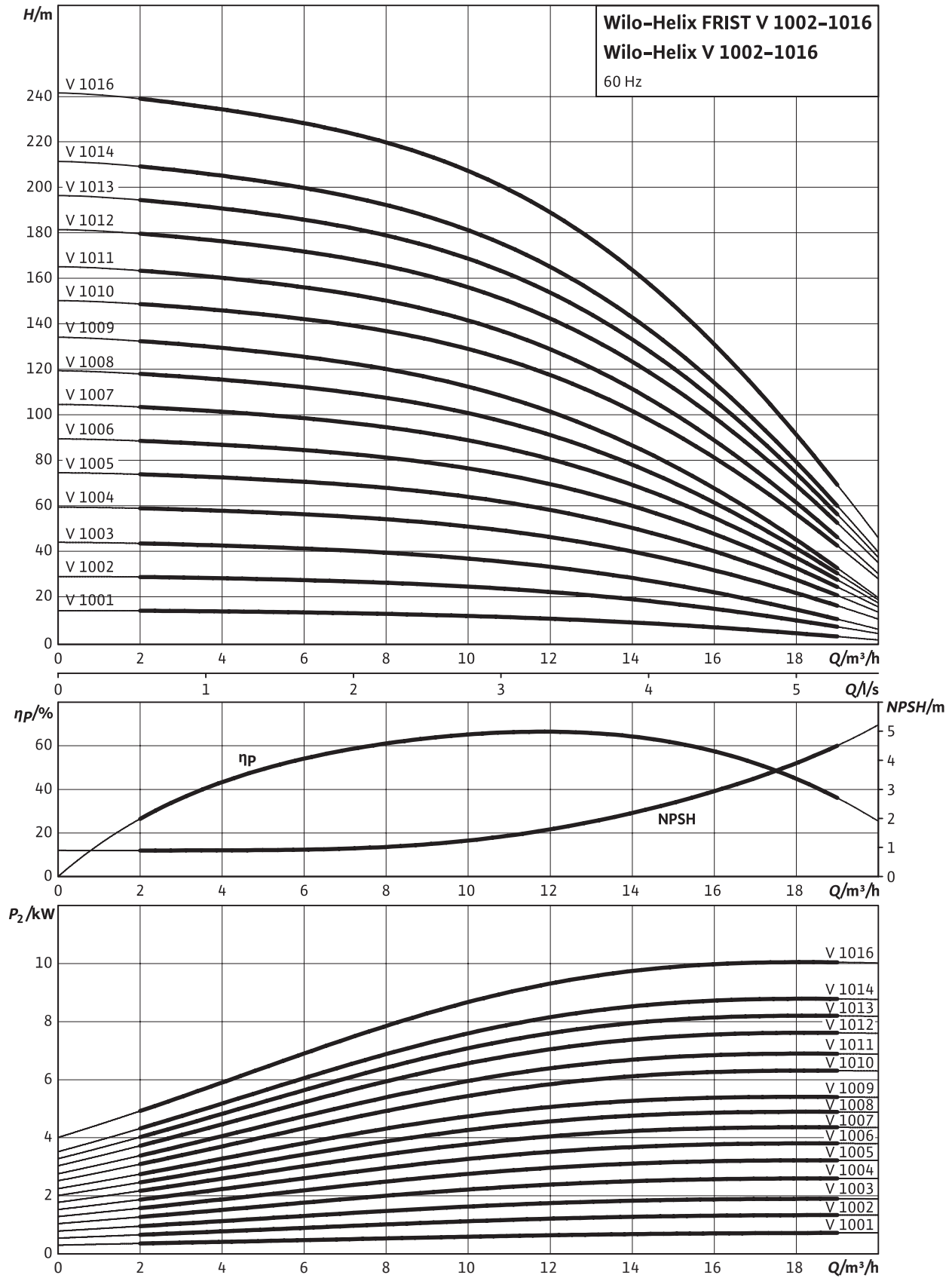
Dimension drawing Helix FIRST V 6; 25, 30 bar



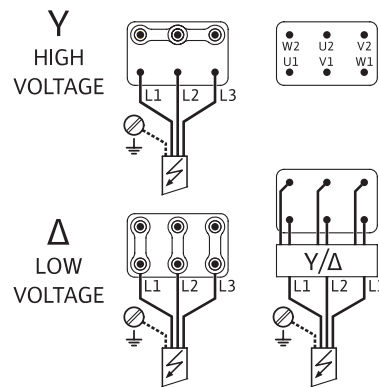
Dimensions, weights

Type	Maximum operating pressure	Nominal diameter, flange	Nominal flange diameter	Dimensions				Weight approx.
				H	H2	Ø M	X	
	P_{max} bar		DN	mm	mm	mm	mm	m kg
Helix FIRST V 602	16	G 1¼	-	568	324	158	115	25.7
Helix FIRST V 603	16	G 1¼	-	606	362	158	115	27.3
Helix FIRST V 604	16	G 1¼	-	676	409	193	132	33.5
Helix FIRST V 605	16	G 1¼	-	714	447	193	132	35.3
Helix FIRST V 606	16	G 1¼	-	751	484	193	132	36.0
Helix FIRST V 607	16	G 1¼	-	824	532	217	141	44.0
Helix FIRST V 608	16	G 1¼	-	861	569	217	141	44.7
Helix FIRST V 609	16	G 1¼	-	913	607	196	145	46.3
Helix FIRST V 610	16	G 1¼	-	950	644	196	145	47.0
Helix FIRST V 611	25	-	32	1100	794	196	145	58.0
Helix FIRST V 612	25	-	32	1130	794	232	149	64.0
Helix FIRST V 614	25	-	32	1205	869	232	149	66.0
Helix FIRST V 616	25	-	32	1280	944	232	149	67.0
Helix FIRST V 617	30	-	32	1488	1138	225	160	85.0
Helix FIRST V 619	30	-	32	1563	1213	225	160	86.0
Helix FIRST V 621	30	-	32	1638	1288	225	160	88.0
Helix FIRST V 623	30	-	32	1759	1363	279	182	105.0

Pump curves Helix V 10xx



Terminal diagram

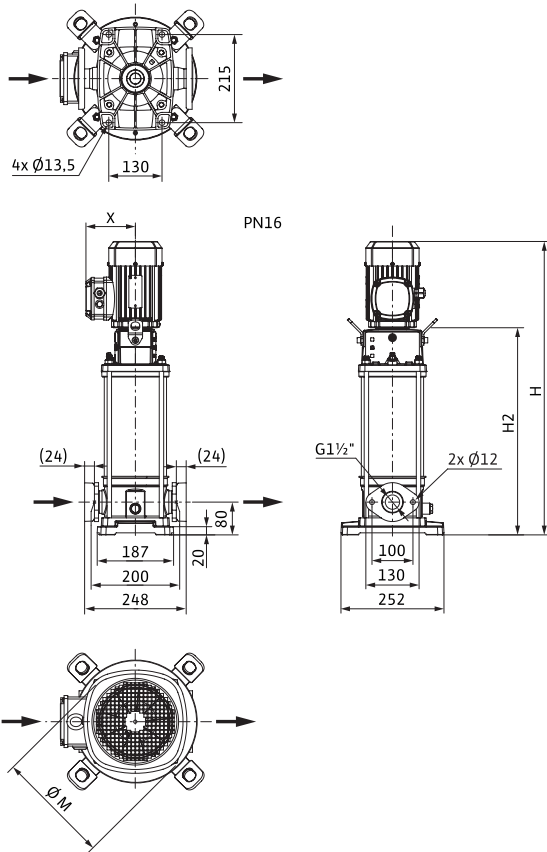


Motor data

Type	Rated power P_2 kW	Nominal current 3~460 V, 60 Hz I A	Motor efficiency		
			$\eta_{m 50\%}$	$\eta_{m 75\%}$ %	$\eta_{m 100\%}$
Helix FIRST V/HelixV 1002	1.50	2.8	79.0	85.6	85.5
Helix FIRST V/HelixV 1003	2.20	3.9	84.3	86.7	86.5
Helix FIRST V/HelixV 1004	3.00	4.9	86.3	88.7	88.5
Helix FIRST V/HelixV 1005	4.00	7	86.3	88.0	88.5
Helix FIRST V/HelixV 1006	4.00	7	86.3	88.0	88.5
Helix FIRST V/HelixV 1007	5.50	9.2	88.0	89.6	89.5
Helix FIRST V/HelixV 1008	5.50	9.2	88.0	89.6	89.5
Helix FIRST V/HelixV 1009	5.50	9.2	88.0	89.6	89.5
Helix FIRST V/HelixV 1010	7.50	11.6	87.8	89.8	90.2
Helix FIRST V/HelixV 1011	7.50	11.6	87.8	89.8	90.2
Helix FIRST V/HelixV 1012	9.00	13.4	86.7	89.3	91.0
Helix FIRST V/HelixV 1013	9.00	13.4	86.7	89.3	91.0
Helix FIRST V/HelixV 1014	9.00	13.4	86.7	89.3	91.0
Helix FIRST V/HelixV 1016	11.00	16.1	88.4	90.3	91.0

Motor efficiency based on 460 V, 60 Hz
Wilo-Helix V 1001 available upon request

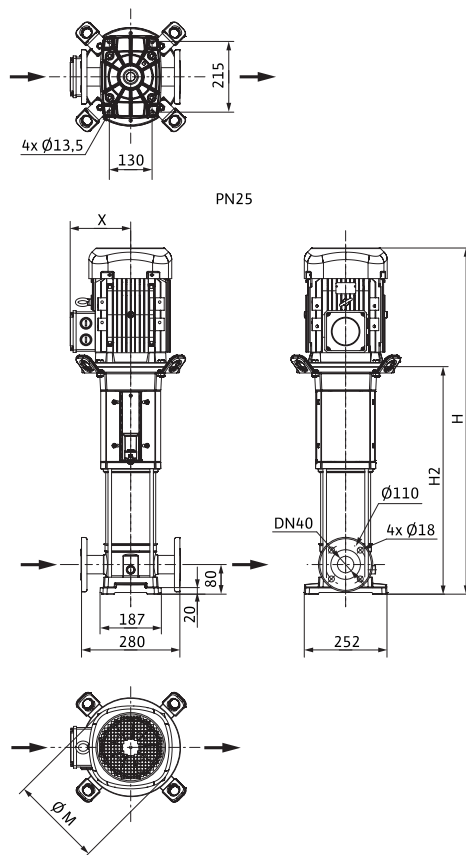
Dimension drawing Helix V 10, PN 16



Dimensions, weights

Type	Maximum operating pressure p_{max} bar	Nominal diameter, flange	Nominal flange diameter DN	Dimensions					Weight approx. m kg
				H	H2	mm	ØM	X	
Helix V 1002	16	G 1½	-	644	377	193	132	34.0	
Helix V 1003	16	G 1½	-	682	415	193	132	37.0	
Helix V 1004	16	G 1½	-	754	462	217	141	43.0	
Helix V 1005	16	G 1½	-	806	500	196	145	46.0	
Helix V 1006	16	G 1½	-	843	537	196	145	47.0	
Helix V 1007	16	G 1½	-	911	575	232	149	53.0	
Helix V 1008	16	G 1½	-	948	612	232	149	53.0	
Helix V 1009	16	G 1½	-	1050	700	253	148	61.4	
Helix V 1010	16	G 1½	-	1244	857	253	195	96.4	

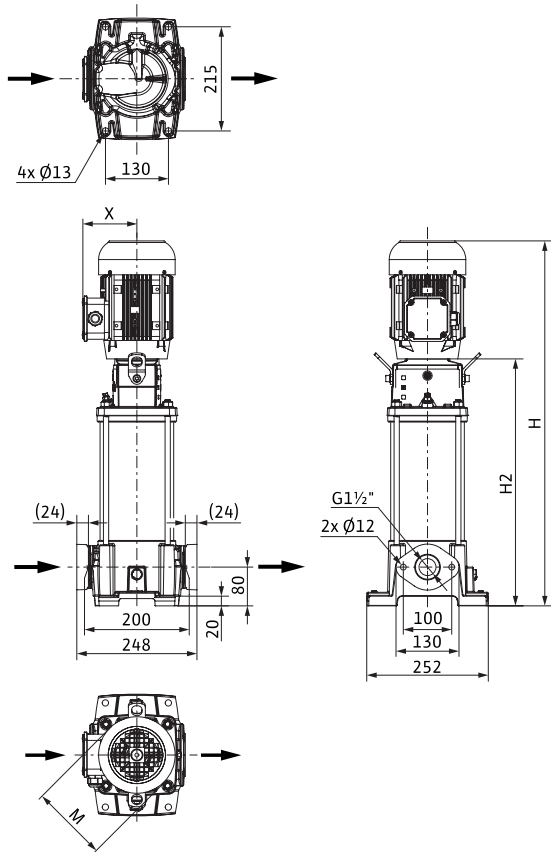
Dimension drawing Helix V 10, PN 25



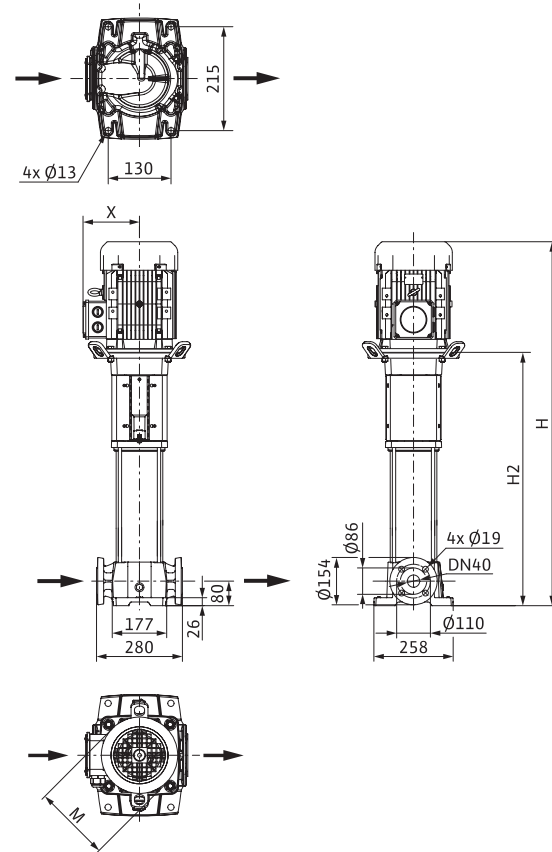
Dimensions, weights

Type	Maximum operating pressure P_{max} bar	Nominal diameter, flange DN	Dimensions					Weight approx. m kg
			H	H2	mm	Ø M	X	
Helix V 1002	25	-	40	694	427	193	132	34.0
Helix V 1003	25	-	40	732	465	193	132	37.0
Helix V 1004	25	-	40	804	512	217	141	43.0
Helix V 1005	25	-	40	856	550	196	145	46.0
Helix V 1006	25	-	40	893	587	196	145	47.0
Helix V 1007	25	-	40	961	625	232	149	53.0
Helix V 1008	25	-	40	998	662	232	149	53.0
Helix V 1009	25	-	40	1036	700	232	149	61.0
Helix V 1010	25	-	40	1207	857	225	160	66.0
Helix V 1011	25	-	40	1282	932	225	160	68.0
Helix V 1012	25	-	40	1328	932	279	182	121.0
Helix V 1013	25	-	40	1403	1007	279	182	123.0
Helix V 1014	25	-	40	1403	1007	279	182	124.0
Helix V 1016	25	-	40	1478	1082	279	182	110.0

Dimension drawing Helix FIRST V 10, PN 16



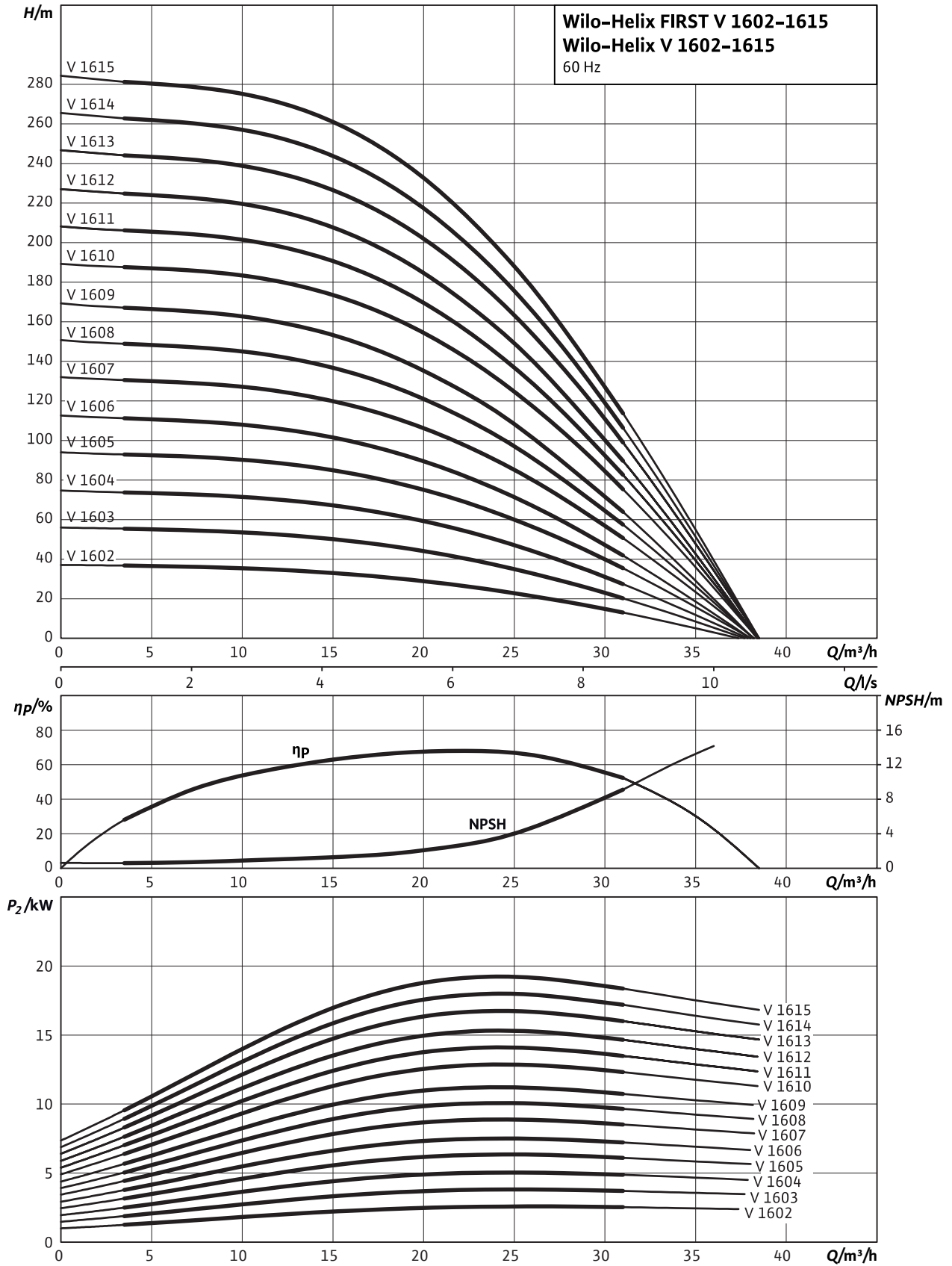
Dimension drawing Helix FIRST V 10; 25, 30 bar



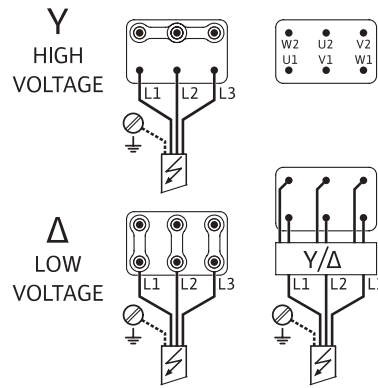
Dimensions, weights

Type	Maximum operating pressure	Nominal diameter, flange	Nominal flange diameter	Dimensions					Weight approx.
	p_{max} bar			H	$H2$	$\varnothing M$	X	m kg	
Helix FIRST V 1002	16	G 1½"	-	639	372	193	132	34.4	
Helix FIRST V 1003	16	G 1½"	-	677	410	193	132	36.3	
Helix FIRST V 1004	16	G 1½"	-	749	457	217	141	44.4	
Helix FIRST V 1005	16	G 1½"	-	801	495	196	145	46.0	
Helix FIRST V 1006	16	G 1½"	-	838	532	196	145	47.0	
Helix FIRST V 1007	16	G 1½"	-	906	570	232	149	53.0	
Helix FIRST V 1008	16	G 1½"	-	943	607	232	149	54.0	
Helix FIRST V 1009	25	-	40	1034	698	232	149	68.0	
Helix FIRST V 1010	25	-	40	1205	855	225	160	86.0	
Helix FIRST V 1011	25	-	40	1280	930	225	160	88.0	
Helix FIRST V 1012	25	-	40	1326	930	279	182	104.0	
Helix FIRST V 1013	25	-	40	1401	1005	279	182	105.0	
Helix FIRST V 1014	30	-	40	1403	1007	279	182	107.0	
Helix FIRST V 1016	30	-	40	1478	1082	279	182	110.0	

Pump curves Helix V 16xx



Terminal diagram

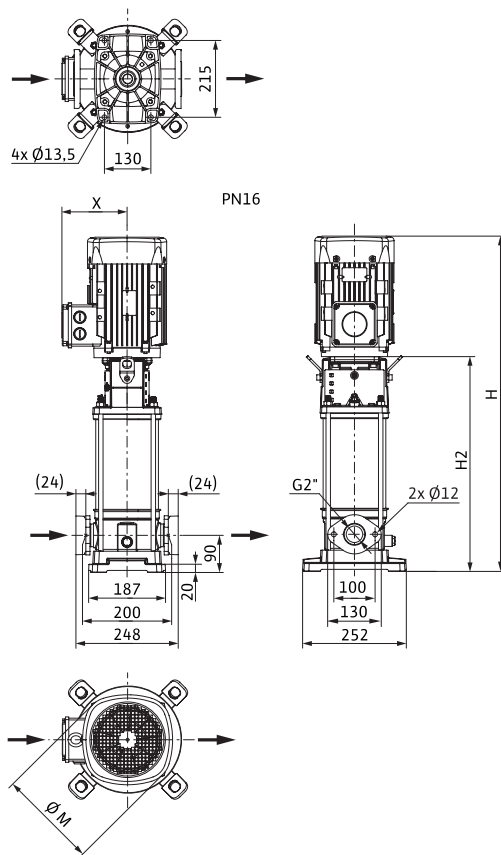


Motor data

Type	Rated power P_2 kW	Nominal current 3~460 V, 60 Hz I A	Motor efficiency		
			$\eta_{m 50\%}$	$\eta_{m 75\%}$ %	$\eta_{m 100\%}$
Helix FIRST V/HelixV 1602	3.00	4.9	86.3	88.7	88.5
Helix FIRST V/HelixV 1603	4.00	7	86.3	88.0	88.5
Helix FIRST V/HelixV 1604	5.50	9.2	88.0	89.6	89.5
Helix FIRST V/HelixV 1605	7.50	11.6	87.8	89.8	90.2
Helix FIRST V/HelixV 1606	7.50	11.6	87.8	89.8	90.2
Helix FIRST V/HelixV 1607	9.00	13.4	86.7	89.3	91.0
Helix FIRST V/HelixV 1608	11.00	16.1	88.4	90.3	91.0
Helix FIRST V/HelixV 1609	11.00	16.1	88.4	90.3	91.0
Helix FIRST V/HelixV 1610	15.00	21.8	89.0	91.0	91.0
Helix FIRST V/HelixV 1611	15.00	21.8	89.0	91.0	91.0
Helix FIRST V/HelixV 1612	15.00	21.8	89.0	91.0	91.0
Helix FIRST V/HelixV 1613	18.50	27	89.5	91.5	91.7
Helix FIRST V 1614	18.50	27	89.5	91.5	91.7
Helix FIRST V 1615	18.50	27	89.5	91.5	91.7

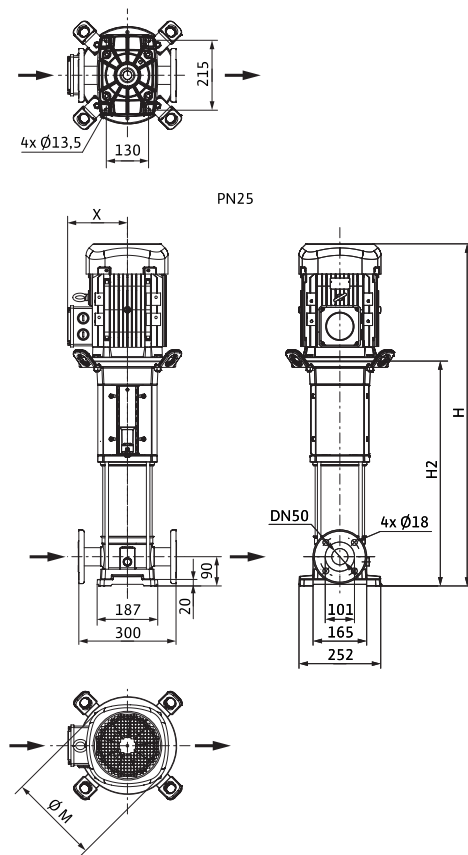
Motor efficiency based on 460 V, 60 Hz
 Wilo-Helix V 1601 available upon request

Dimension drawing Helix V 16, PN 16



Dimensions, weights								
Type	Maximum operating pressure	Nominal diameter, flange	Nominal flange diameter	Dimensions				Weight approx.
				p_{max} bar	DN	H	H2	
Helix V 1602	16	G 2	-	713	421	217	141	44.0
Helix V 1603	16	G 2	-	777	471	196	145	46.0
Helix V 1604	16	G 2	-	857	521	232	149	65.0
Helix V 1605	16	G 2	-	1092	742	225	160	65.0
Helix V 1606	16	G 2	-	1142	792	225	160	66.0
Helix V 1607	16	G 2	-	1238	842	279	182	120.0
Helix V 1608	16	G 2	-	1288	892	279	182	105.0

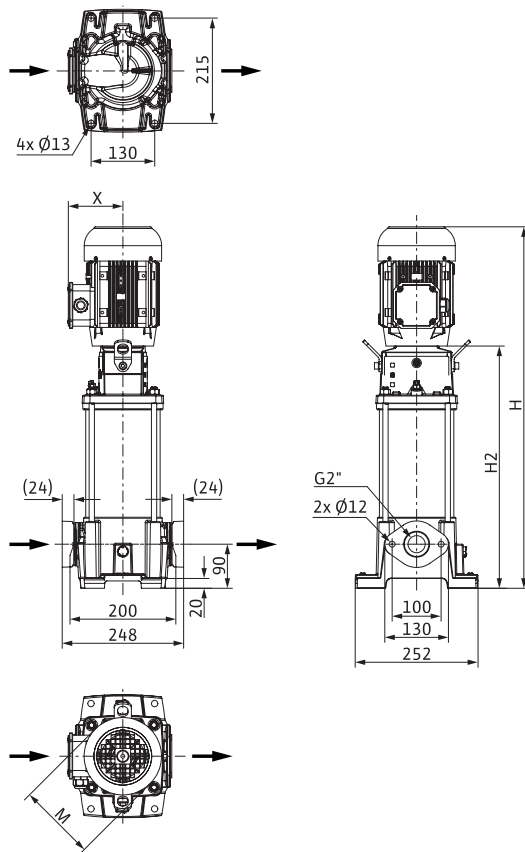
Dimension drawing Helix V 16, PN 25



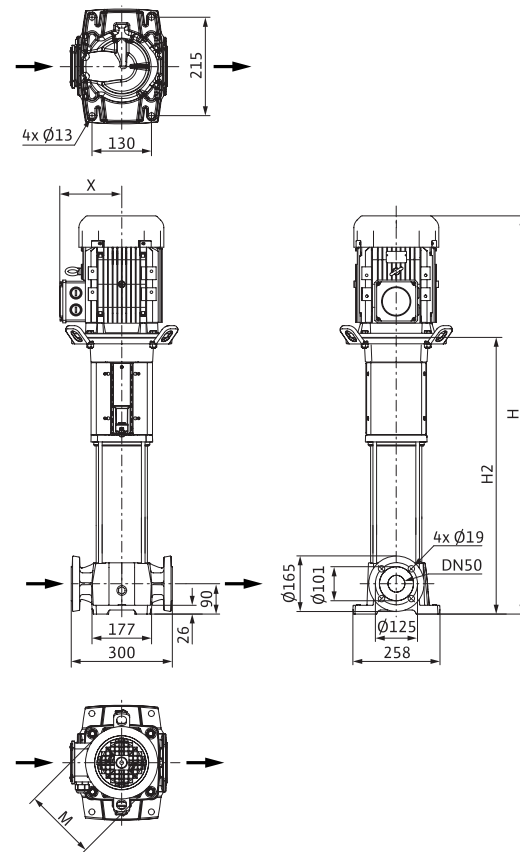
Dimensions, weights

Type	Maximum operating pressure	Nominal diameter, flange	Nominal flange diameter	Dimensions					Weight approx.
				H	H2	mm	ØM	X	
	p_{max} bar		DN						m kg
Helix V 1602	25	-	50	764	472		217	141	44.0
Helix V 1603	25	-	50	828	522		196	145	52.0
Helix V 1604	25	-	50	908	572		232	149	57.0
Helix V 1605	25	-	50	1143	793		196	145	65.0
Helix V 1606	25	-	50	1142	792		225	160	78.0
Helix V 1607	25	-	50	1238	842		279	182	95.0
Helix V 1608	25	-	50	1339	943		279	182	105.0
Helix V 1609	25	-	50	1338	942		279	182	114.0
Helix V 1610	25	-	50	1487	1021		302	200	173.0
Helix V 1611	25	-	50	1587	1121		302	200	173.0
Helix V 1612	25	-	50	1587	1121		302	200	173.0
Helix V 1613	25	-	50	1737	1271		302	200	214.0

Dimension drawing Helix FIRST V 16, PN 16



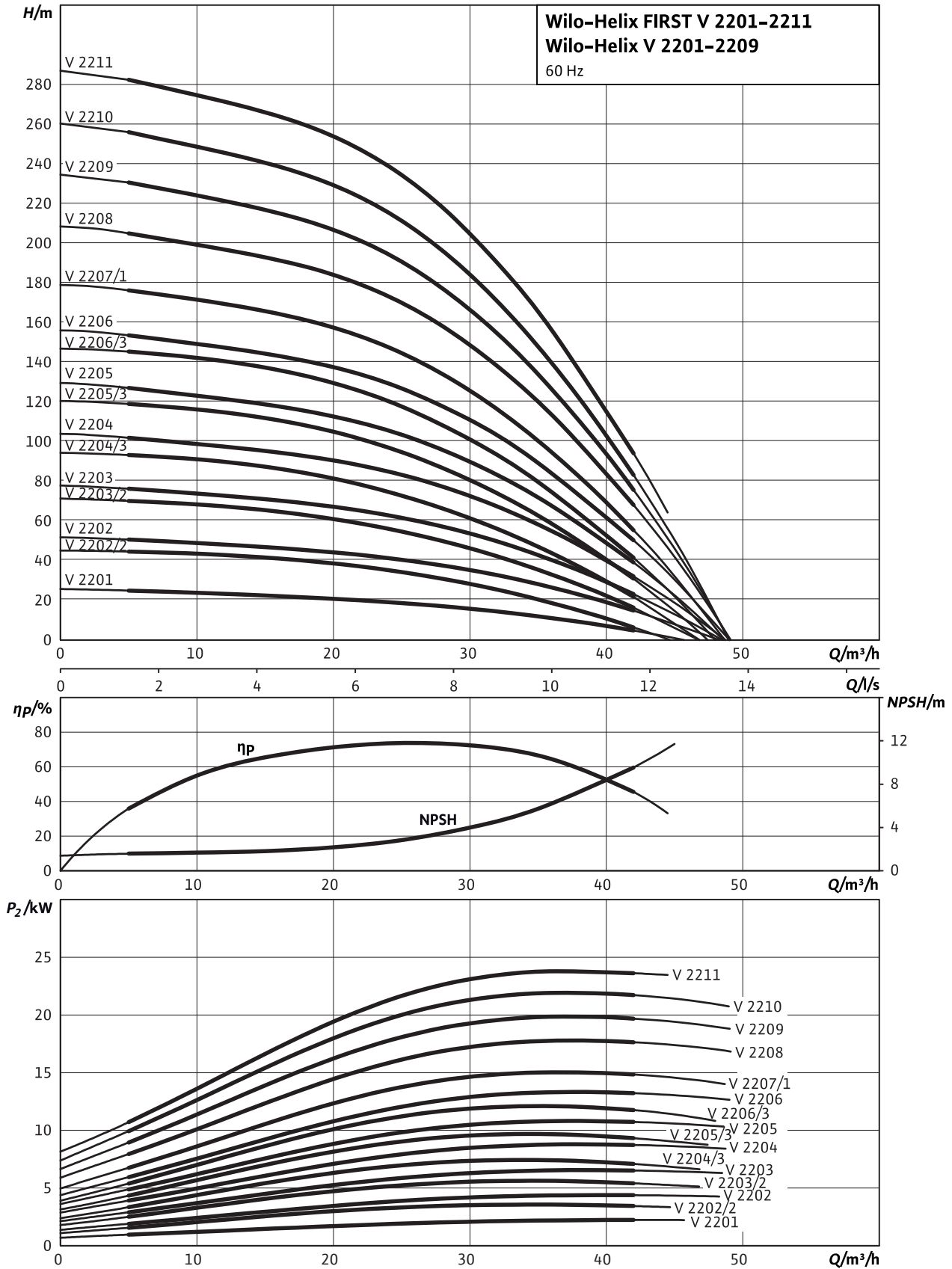
Dimension drawing Helix FIRST V 16; 25, 30 bar



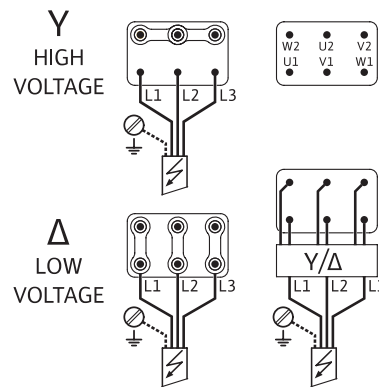
Dimensions, weights

Type	Maximum operating pressure	Nominal diameter, flange	Nominal flange diameter	Dimensions				Weight approx.
				H	H2	Ø M	X	
	p_{max} bar	DN	DN	H	H2	mm	mm	m
Helix FIRST V 1602	16	G 2	-	707	415	217	141	43.2
Helix FIRST V 1603	16	G 2	-	771	465	196	145	45.0
Helix FIRST V 1604	16	G 2	-	851	515	232	149	51.0
Helix FIRST V 1605	25	-	50	1090	740	225	160	84.0
Helix FIRST V 1606	25	-	50	1140	790	225	160	85.0
Helix FIRST V 1607	25	-	50	1236	840	279	182	102.0
Helix FIRST V 1608	25	-	50	1286	890	279	182	105.0
Helix FIRST V 1609	25	-	50	1336	940	279	182	106.0
Helix FIRST V 1610	25	-	50	1485	1019	302	200	164.0
Helix FIRST V 1611	25	-	50	1585	1119	302	200	164.0
Helix FIRST V 1612	30	-	50	1587	1121	302	200	161.0
Helix FIRST V 1613	30	-	50	1737	1271	302	200	175.0
Helix FIRST V 1614	30	-	50	1737	1271	302	200	177.0
Helix FIRST V 1615	30	-	50	1737	1271	302	200	178.0

Pump curves Helix V 22xx



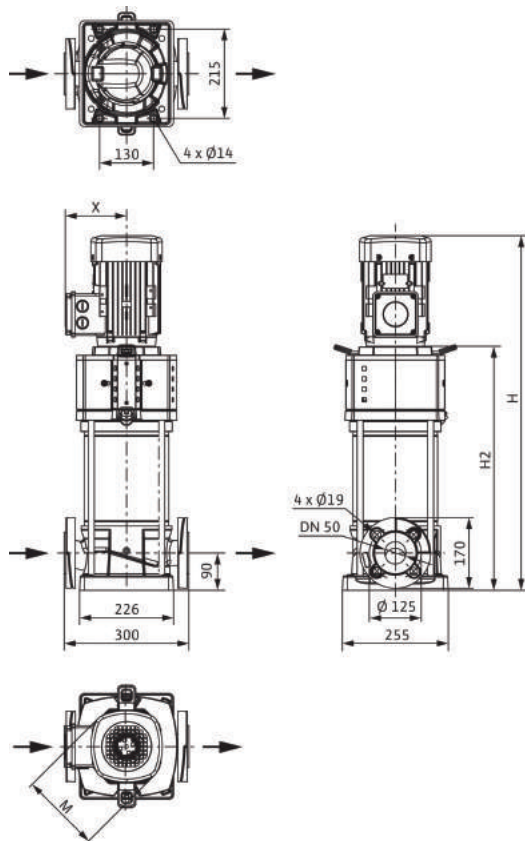
Terminal diagram



Motor data

Type	Rated power P_2 kW	Nominal current 3~460 V, 60 Hz I A	Motor efficiency		
			$\eta_{m 50\%}$	$\eta_{m 75\%}$ %	$\eta_{m 100\%}$
Helix FIRST V/HelixV 2201	2.20	3.9	84.3	86.7	86.5
Helix FIRST V/HelixV 2202/2	4.00	7	86.3	88.0	88.5
Helix FIRST V/HelixV 2202	5.50	9.2	88.0	89.6	89.5
Helix FIRST V/HelixV 2203/2	5.50	9.2	88.0	89.6	89.5
Helix FIRST V/HelixV 2203	7.50	11.6	87.8	89.8	90.2
Helix FIRST V/HelixV 2204/3	7.50	11.6	87.8	89.8	90.2
Helix FIRST V/HelixV 2204	11.00	16.1	89.4	90.3	91.0
Helix FIRST V/HelixV 2205/3	11.00	16.1	89.4	90.3	91.0
Helix FIRST V/HelixV 2205	11.00	16.1	89.4	90.3	91.0
Helix FIRST V/HelixV 2206/3	15.00	21.8	89.0	91.0	91.0
Helix FIRST V/HelixV 2206	15.00	21.8	89.0	91.0	91.0
Helix FIRST V/HelixV 2207/1	15.00	21.8	89.0	91.0	91.0
Helix FIRST V/HelixV 2208	18.50	27	89.5	91.5	91.7
Helix FIRST V/HelixV2209	22.00	31.2	89.0	91.4	91.7
Helix FIRST V 2210	22.00	31.2	89.0	91.4	91.7
Helix FIRST V 2211	30.00	48.9	91.0	91.7	92.4

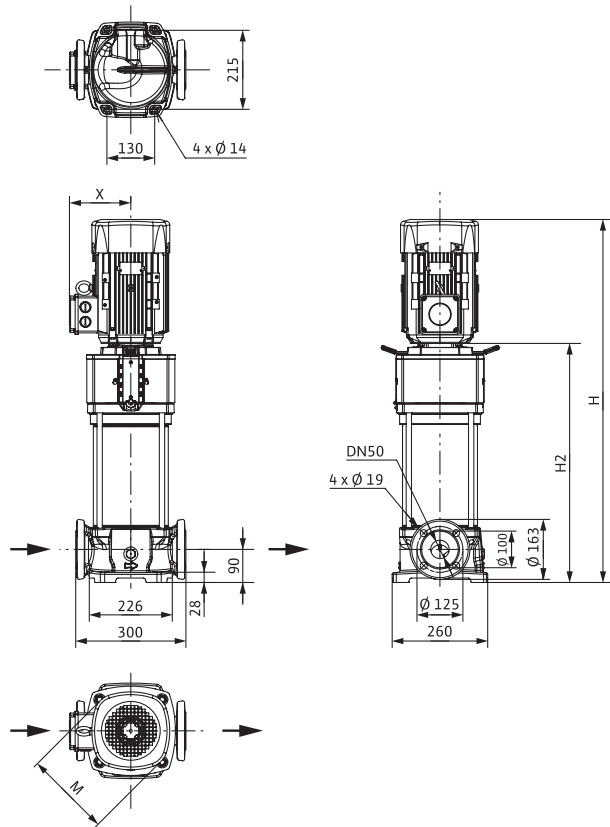
Dimension drawing Helix V 22, PN 25



Dimensions, weights

Type	Maximum operating pressure p_{max} bar	Nominal diameter, flange	Nominal flange diameter DN	Dimensions					Weight approx. m kg
				H	H2	mm	ØM	X	
Helix V 2201	16	-	50	755	488	193	132	60.0	
Helix V 2202/2	16	-	50	772	498	196	145	67.0	
Helix V 2202	16	-	50	823	498	232	149	76.0	
Helix V 2203/2	16	-	50	905	548	232	149	78.0	
Helix V 2203	16	-	50	1013	664	225	160	105.0	
Helix V 2204/3	16	-	50	1041	714	225	160	108.0	
Helix V 2204	16	-	50	1041	714	279	182	110.0	
Helix V 2205/3	16	-	50	1114	764	279	182	112.0	
Helix V 2205	16	-	50	1114	764	279	182	112.0	
Helix V 2206/3	25	-	50	1194	844	302	200	173.0	
Helix V 2206	25	-	50	1194	844	302	200	173.0	
Helix V 2207/1	25	-	50	1290	894	302	200	175.0	
Helix V 2208	25	-	50	1340	944	302	200	189.0	
Helix V 2209	25	-	50	1390	994	302	200	191.0	
Helix V 2210	30	-	50	1684	1097	360	301	263.0	
Helix V 2211	30	-	50	1734	1147	360	301	270.0	

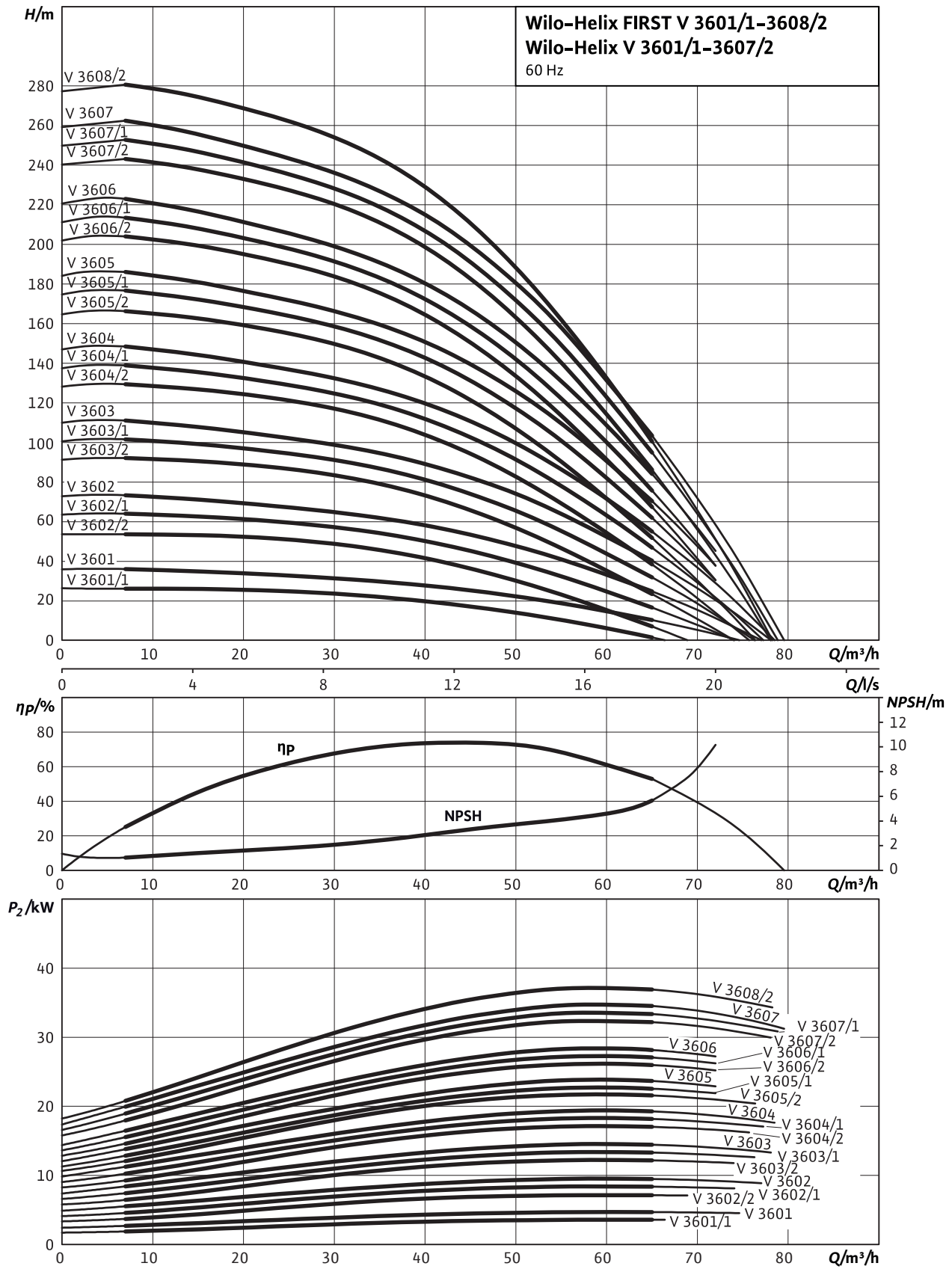
Dimension drawing Helix V 22



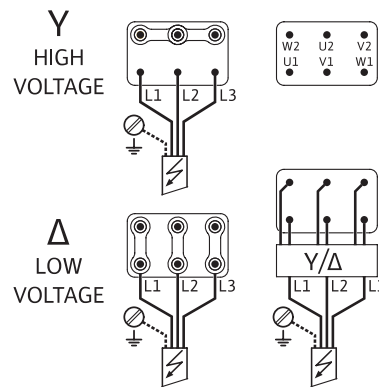
Dimensions, weights

Type	Maximum operating pressure P_{max} bar	Nominal diameter, flange DN	Dimensions					Weight approx. m kg
			H	H2	mm	$\varnothing M$	X	
Helix FIRST V 2201	16	-	50	743	476	193	132	61.0
Helix FIRST V 2202/2	16	-	50	739	433	196	145	65.0
Helix FIRST V 2202	16	-	50	769	433	232	149	89.0
Helix FIRST V 2203/2	16	-	50	819	483	232	149	73.0
Helix FIRST V 2203	16	-	50	833	483	225	160	83.0
Helix FIRST V 2204/3	16	-	50	903	553	225	160	84.0
Helix FIRST V 2204	16	-	50	949	553	279	182	133.0
Helix FIRST V 2205/3	16	-	50	999	603	279	182	104.0
Helix FIRST V 2205	16	-	50	999	603	279	182	135.0
Helix FIRST V 2206/3	25	-	50	1248	782	302	200	175.0
Helix FIRST V 2206	25	-	50	1248	782	302	200	175.0
Helix FIRST V 2207/1	25	-	50	1348	882	302	200	177.0
Helix FIRST V 2208	25	-	50	1398	932	302	200	190.0
Helix FIRST V 2209	25	-	50	1448	982	302	200	191.0
Helix FIRST V 2210	30	-	50	1498	1032	302	200	193.0
Helix FIRST V 2211	30	-	50	1637	1082	415	261	269.0

Pump curves Helix V 36xx



Terminal diagram

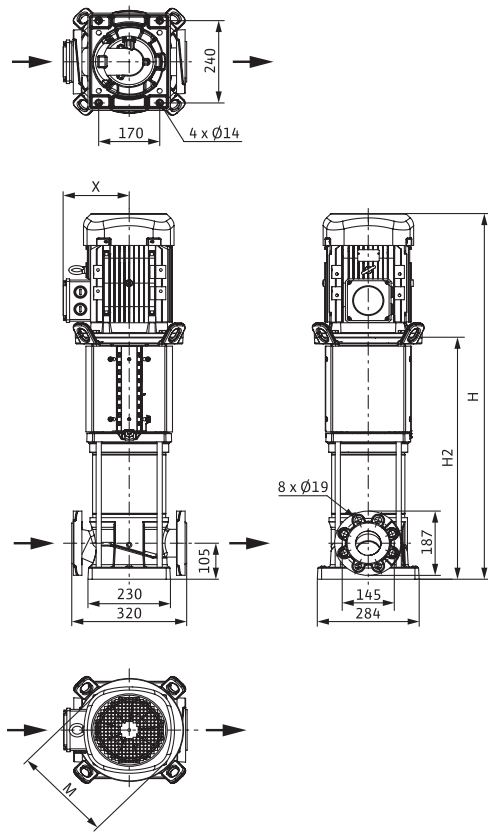


Motor data

Type	Rated power P_2 kW	Nominal current 3~460 V, 60 Hz I A	Motor efficiency		
			η_m 50%	η_m 75% %	η_m 100%
Helix FIRST V/HelixV 3601/1	4.00	7	86.3	88.0	88.5
Helix FIRST V/HelixV 3601	5.50	9.2	88.0	89.6	89.5
Helix FIRST V/HelixV 3602/1	9.00	13.4	86.7	89.3	91.0
Helix FIRST V/HelixV 3602/2	7.50	11.6	87.8	89.8	90.2
Helix FIRST V/HelixV 3602	11.00	16.1	89.4	90.3	91.0
Helix FIRST V/HelixV 3603/1	15.00	21.8	89.0	91.0	91.0
Helix FIRST V/HelixV 3603/2	15.00	21.8	89.0	91.0	91.0
Helix FIRST V/HelixV 3603	15.00	21.8	89.0	91.0	91.0
Helix FIRST V/HelixV 3604/1	18.50	27	89.5	91.5	91.7
Helix FIRST V/HelixV 3604/2	18.50	27	89.5	91.5	91.7
Helix FIRST V/HelixV 3604	22.00	31.2	89.0	91.4	91.7
Helix FIRST V/HelixV 3605/1	30.00	48.9	91.0	91.7	92.4
Helix FIRST V/HelixV 3605/2	22.00	31.2	89.0	91.4	91.7
Helix FIRST V/HelixV 3605	30.00	48.9	91.0	91.7	92.4
Helix FIRST V/HelixV 3606/1	30.00	48.9	91.0	91.7	92.4
Helix FIRST V/HelixV 3606/2	30.00	48.9	91.0	91.7	92.4
Helix FIRST V/HelixV 3606	30.00	48.9	91.0	91.7	92.4
Helix FIRST V/HelixV 3607/1	37.00	59.1	91.0	92.9	93.0
Helix FIRST V/HelixV 3607/2	37.00	59.1	91.0	92.9	93.0
Helix FIRST V 3607	37.00	59.1	91.0	92.9	93.0
Helix FIRST V 3608/2	37.00	59.1	91.0	92.9	93.0

Motor efficiency based on 460 V, 60 Hz

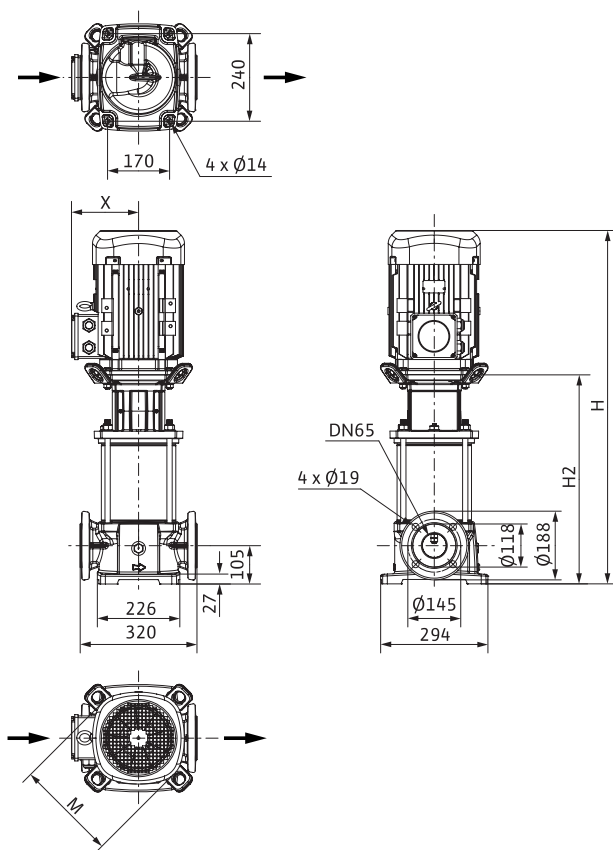
Dimension drawing



Dimensions, weights

Type	Maximum operating pressure p_{max} bar	Nominal diameter, flange	Nominal flange diameter DN	Dimensions					Weight approx. m kg
				H	H2	mm	$\varnothing M$	X	
Helix V 3601/1	16	-	65	740	466	196	145	74.0	
Helix V 3601	16	-	65	791	466	232	149	83.0	
Helix V 3602/1	16	-	65	1045	649	279	182	118.0	
Helix V 3602/2	16	-	65	999	649	225	160	118.0	
Helix V 3602	16	-	65	1045	649	279	182	120.0	
Helix V 3603/1	16	-	65	1212	746	302	200	182.0	
Helix V 3603/2	16	-	65	1212	746	302	200	182.0	
Helix V 3603	16	-	65	1212	746	302	200	182.0	
Helix V 3604/1	16	-	65	1278	812	302	200	196.0	
Helix V 3604/1	25	-	65	1278	812	302	200	196.0	
Helix V 3604/2	16	-	65	1278	812	302	200	196.0	
Helix V 3604	16	-	65	1278	812	302	200	196.0	
Helix V 3604	25	-	65	1278	812	302	200	199.0	
Helix V 3605/1	25	-	65	1434	879	415	261	269.0	
Helix V 3605/2	25	-	65	1345	879	302	200	269.0	
Helix V 3605	25	-	65	1434	879	415	261	272.0	
Helix V 3606/1	25	-	65	1501	946	415	261	272.0	
Helix V 3606/2	25	-	65	1501	946	415	261	272.0	
Helix V 3606	25	-	65	1501	946	415	261	275.0	
Helix V 3607/2	25	-	65	1567	1012	415	261	286.0	
Helix V 3607/1	30	-	65	1736	1080	405	382	401.0	

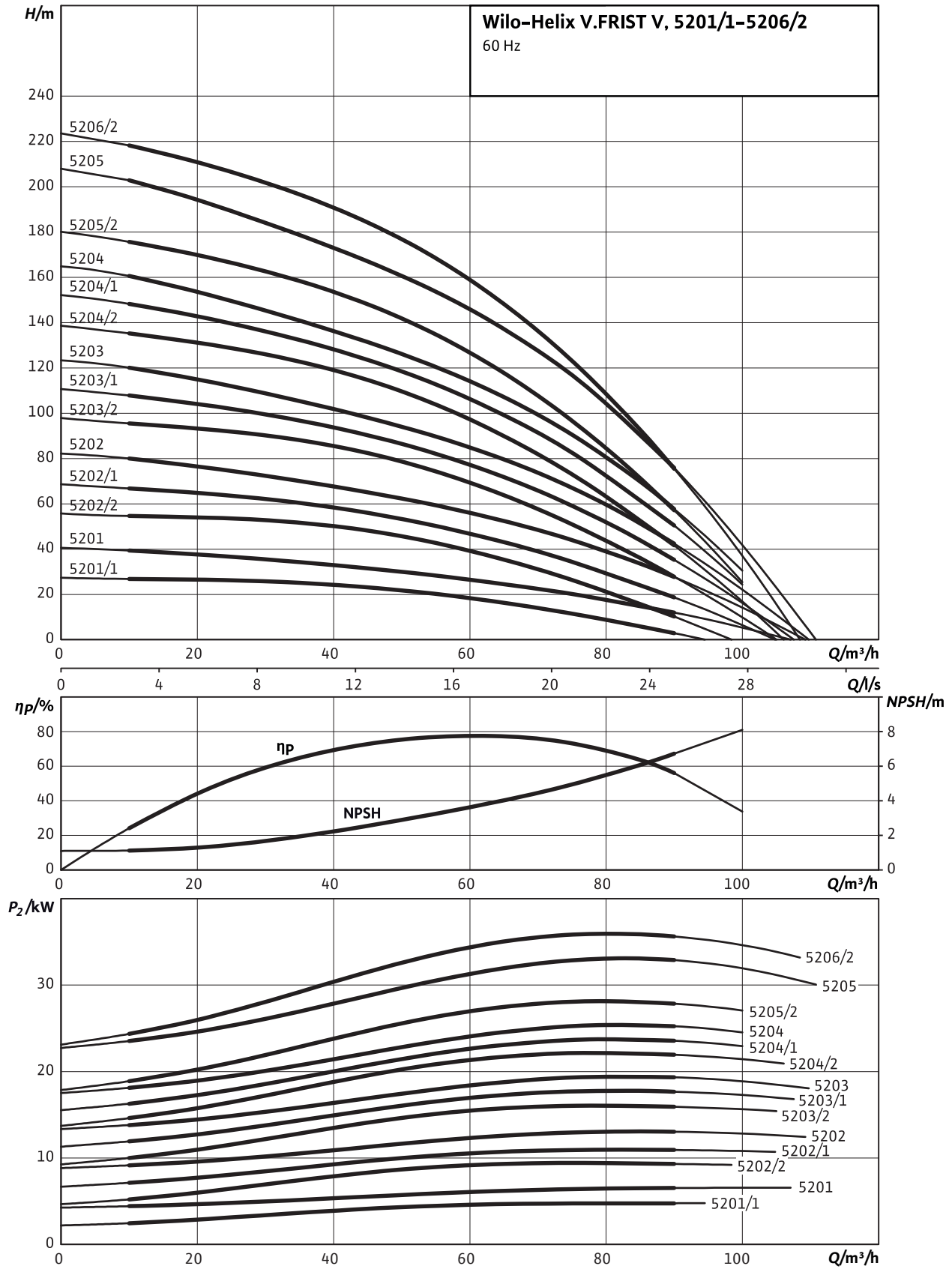
Dimension drawing Helix FIRST V 36



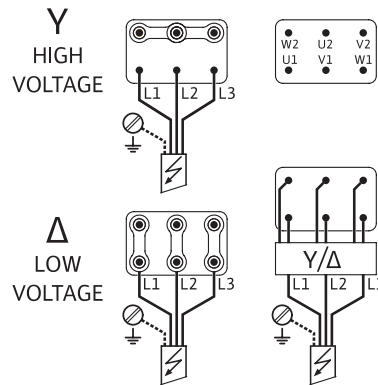
Dimensions, weights

Type	Maximum operating pressure p_{max} bar	Nominal diameter, flange DN	Nominal flange diameter H	Dimensions				Weight approx. m kg
				H2	mm	$\varnothing M$	X	
Helix FIRST V 3601/1	16	-	65	725	419	196	145	68.0
Helix FIRST V 3601	16	-	65	755	419	232	149	73.0
Helix FIRST V 3602/1	16	-	65	902	506	279	182	101.0
Helix FIRST V 3602/2	16	-	65	856	506	225	160	85.0
Helix FIRST V 3602	16	-	65	902	506	279	182	103.0
Helix FIRST V 3603/1	25	-	65	1218	752	302	200	177.0
Helix FIRST V 3603/2	25	-	65	1218	752	302	200	177.0
Helix FIRST V 3603	25	-	65	1218	752	302	200	177.0
Helix FIRST V 3604/1	25	-	65	1284	818	302	200	191.0
Helix FIRST V 3604/2	25	-	65	1284	818	302	200	191.0
Helix FIRST V 3604	25	-	65	1284	818	302	200	191.0
Helix FIRST V 3605/1	25	-	65	1440	885	415	261	268.0
Helix FIRST V 3605/2	25	-	65	1351	885	302	200	195.0
Helix FIRST V 3605	25	-	65	1440	825	415	261	268.0
Helix FIRST V 3606/1	25	-	65	1507	952	415	261	271.0
Helix FIRST V 3606/2	25	-	65	1507	952	415	261	271.0
Helix FIRST V 3606	25	-	65	1507	952	415	261	271.0
Helix FIRST V 3607/1	30	-	65	1660	1018	415	261	277.0
Helix FIRST V 3607/2	25	-	65	1660	1018	415	261	275.0
Helix FIRST V 3607	30	-	65	1660	1018	415	261	277.0
Helix FIRST V 3608/2	30	-	65	1724	1085	415	261	279.0

Pump curves Helix V 52xx



Terminal diagram

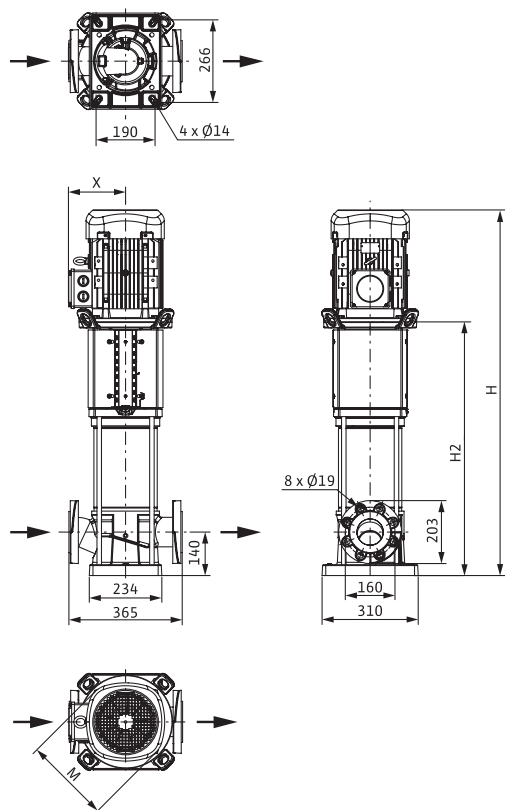


Motor data

Type	Rated power P_2 kW	Nominal current 3~460 V, 60 Hz I A	Motor efficiency		
			$\eta_m 50\%$	$\eta_m 75\%$ %	$\eta_m 100\%$
Helix FIRST V/HelixV 5201/1	5.50	9.2	88.0	89.6	89.5
Helix FIRST V/HelixV 5201	7.50	11.6	87.8	89.8	90.2
Helix FIRST V/HelixV 5202/1	11.00	16.1	88.4	90.3	91.0
Helix FIRST V/HelixV 5202/2	11.00	16.1	88.4	90.3	91.0
Helix FIRST V/HelixV 5202	15.00	21.8	89.0	91.0	91.0
Helix FIRST V/HelixV 5203/1	18.50	27	89.5	91.5	91.7
Helix FIRST V/HelixV 5203/2	18.50	27	89.5	91.5	91.7
Helix FIRST V/HelixV 5203	22.00	31.2	89.0	91.4	91.7
Helix FIRST V/HelixV 5204/1	30.00	48.9	91.0	91.7	92.4
Helix FIRST V/HelixV 5204/2	22.00	31.2	89.0	91.4	91.7
Helix FIRST V/HelixV 5204	30.00	48.9	91.0	91.7	92.4
Helix FIRST V/HelixV 5205/2	30.00	48.9	91.0	91.7	92.4
Helix FIRST V/HelixV 5205	37.00	59.1	91.0	92.9	93.0
Helix FIRST V/HelixV 5206/2	37.00	59.1	91.0	92.9	93.0

Motor efficiency based on 460 V, 60 Hz

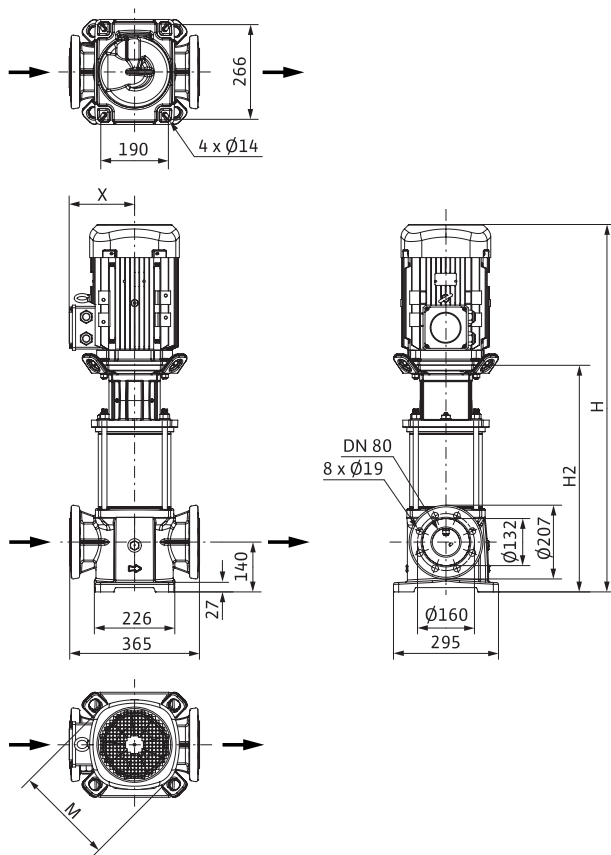
Dimension drawing



Dimensions, weights

Type	Maximum operating pressure p_{max} bar	Nominal diameter, flange	Nominal flange diameter DN	Dimensions					Weight approx. m kg
				H	H2	mm	$\varnothing M$	X	
Helix FIRST V/HelixV 5201/1	16	-	80	836	500	232	149	126.0	
Helix FIRST V/HelixV5201	16	-	80	966	616	225	160	129.0	
Helix FIRST V/HelixV 5202/1	16	-	80	1066	716	279	182	192.0	
Helix FIRST V/HelixV 5202/2	16	-	80	1066	716	279	182	129.0	
Helix FIRST V/HelixV 5202	16	-	80	1212	746	302	200	192.0	
Helix FIRST V/HelixV 5203/1	16	-	80	1312	846	302	200	204.0	
Helix FIRST V/HelixV 5203/2	16	-	80	1312	846	302	200	204.0	
Helix FIRST V/HelixV 5203	16	-	80	1312	846	302	200	204.0	
Helix FIRST V/HelixV 5204/1	25	-	80	1501	946	415	261	280.0	
Helix FIRST V/HelixV 5204/2	16	-	80	1412	946	302	200	208.0	
Helix FIRST V/HelixV 5204/2	25	-	80	1412	946	302	200	208.0	
Helix FIRST V/HelixV 5204	25	-	80	1501	946	415	261	280.0	
Helix FIRST V/HelixV 5205/2	25	-	80	1601	1046	415	261	286.0	
Helix FIRST V/HelixV 5205	25	-	80	1688	1046	415	261	286.0	
Helix FIRST V/HelixV 5206/2	25	-	80	1788	1146	415	261	290.0	

Dimension drawing Helix FIRST V 52



Dimensions, weights

Type	Maximum operating pressure p_{max} bar	Nominal diameter, flange DN	Nominal flange diameter	Dimensions				Weight approx. m kg
				H	H2	$\varnothing M$ mm	X	
Helix FIRST V 5201/1	16	-	80	819	483	232	149	82.0
Helix FIRST V 5201	16	-	80	853	503	225	160	91.0
Helix FIRST V 5202/1	16	-	80	999	603	279	182	115.0
Helix FIRST V 5202/2	16	-	80	999	603	279	182	115.0
Helix FIRST V 5202	25	-	80	1248	782	302	200	184.0
Helix FIRST V 5203/1	25	-	80	1348	882	302	200	199.0
Helix FIRST V 5203/2	25	-	80	1348	882	302	200	199.0
Helix FIRST V 5203	25	-	80	1348	882	302	200	199.0
Helix FIRST V 5204/1	25	-	80	1537	982	415	261	277.0
Helix FIRST V 5204/2	25	-	80	1448	982	302	200	203.0
Helix FIRST V 5204	25	-	80	1537	982	415	261	277.0
Helix FIRST V 5205/2	25	-	80	1637	1082	415	261	281.0
Helix FIRST V 5205	25	-	80	1724	1082	415	261	281.0
Helix FIRST V 5206/2	25	-	80	1824	1182	415	261	285.0

wilo

WILO SE
Nortkirchenstraße 100
44263 Dortmund
Germany
T +49 231 4102-0
F +49 231 4102-7363
wilo@wilo.com
www.wilo.com

Pioneering for You