



JIA-BEN

嘉本產業有限公司 統一編號12819850
穩建建築玻璃五金行 統一編號10081749



進口建築玻璃五金

contents 目錄

地鉸鏈—天鉸鏈.....	1	電磁扣.....	36
地鉸鏈.....	3	磁力鎖.....	37
天鉸鏈.....	6	自動歸位鉸鏈.....	38
隱藏式門弓器—車心鉸鏈.....	7	特殊鉸鏈.....	41
門弓器.....	8	旗型鉸鏈.....	42
非自動鉸鏈.....	9	木門水平鎖.....	43
電動門弓器.....	10	不銹鋼日規連體鎖、連動鎖.....	45
自動門機.....	11	日規木門水平鎖.....	46
懸浮自動機.....	12	地鎖—輔助鎖.....	47
電動門弓器.....	13	日規鈎鎖.....	48
隱藏式電動門弓器.....	15	高級門鎖.....	49
門弓器.....	16	雨棚拉桿.....	50
隱藏式門弓器.....	17	扶手柱.....	51
地鉸鏈—天鉸鏈.....	18	扶手配件.....	53
地鉸鏈—門門.....	26	扶手柱.....	54
平頭鎖—地鎖.....	27	結構固定爪具.....	55
平頭鎖.....	28	結構爪具.....	56
地鎖.....	29	駁街頭系列.....	57
門鎖.....	30	駁街爪 2003 系列.....	59
氣密把手.....	31	駁街爪 2006 系列.....	60
天地栓.....	32	肋爪 2004 系列.....	61
防火門鎖.....	33	駁街爪 1204 系列.....	62
陽極鎖、電鎖、通電保護金具.....	34	結構定座.....	63
門鎖.....	35	結構定棒.....	64

結構固定棒.....	65	地鉸鏈—天鉸鏈.....	127
結構定棒.....	66	玻璃鉸鏈.....	128
玻璃配件、門檔.....	67	玻璃鉸鏈.....	131
玻璃配件、鉸鏈.....	68	玻璃長型鉸鏈.....	132
玻璃配件.....	69	玻璃自動回歸鉸鏈.....	133
淋浴配件、玻璃固定片.....	70	玻璃定位鉸鏈.....	134
淋浴滑門組.....	71	玻璃長型鉸鏈.....	135
鉸鏈、鎖、門檔、吸盤.....	72	玻璃上升防水鉸鏈.....	136
玻璃配件.....	73	玻璃包角—包角鎖.....	137
MD 無框式連桿.....	74	玻璃上下包角—包角鎖.....	138
防水條.....	75	玻璃開天包角.....	139
玻璃滑門組.....	76	玻璃左右邊大包角—開天包角.....	140
淋浴拉門.....	78	玻璃棒棒腿上下包角.....	141
玻璃吊輪組.....	79	玻璃棒棒腿沙拉頭上下包角.....	142
玻璃滑門組.....	80	玻璃電子鎖.....	143
木門、玻璃滑門組.....	83	電子鎖.....	144
緩衝吊輪組.....	84	YALE 指紋密碼型輔助鎖.....	147
感應開關.....	85	玻璃電子鎖.....	147
半自動橫拉門、防煙垂壁配件.....	86	電子鎖.....	148
玻璃鉸鏈.....	87		
淋浴玻璃門用把手.....	90		
大門把手.....	91		
高級把手.....	99		
大門把手.....	104		
玻璃水平鎖、門栓、鈎鎖.....	113		
油壓鉸鏈.....	123		
玻璃鉸鏈.....	125		



BTS 80型 重型地鉸鏈



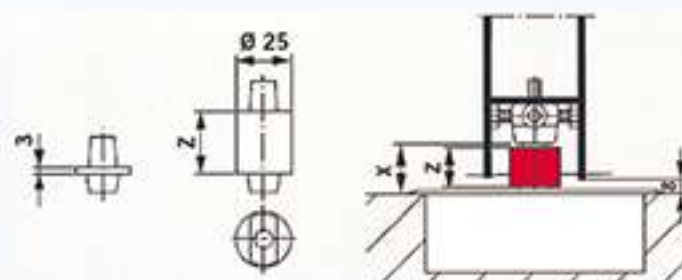
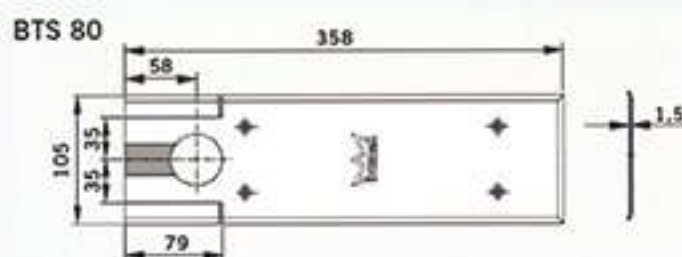
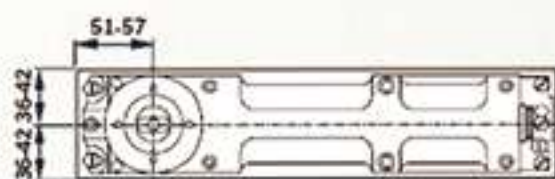
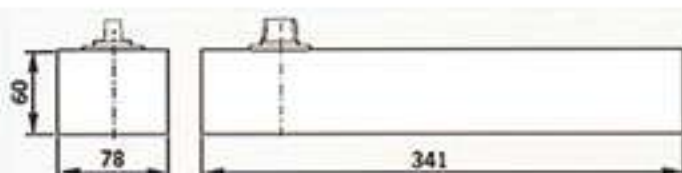
主機尺寸：
60mm x 78mm x 341mm

面板尺寸：
105mm x 358mm

載重：
300kg

適用門寬：
1100mm-1400mm

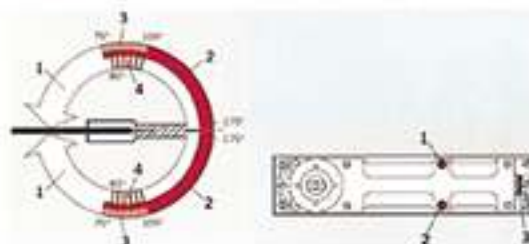
最大開啟角度：
175°



Data and features		BTS 80	BTS 75 V
Spring strength (EN)		3 4 6	1-4
Spring strength adjustment		-	•
Standard and external doors ¹⁾	≤ 950 mm	•	-
	≤ 1100 mm	-	•
	≤ 1400 mm	-	•
Fire and smoke check doors		-	•
Max. leaf weight (kg)		300	120
Non-handed, suitable for single and double action doors		•	•
Closing speed adjustable by valve	175° - 0°	•	-
	175° - 15°	-	•
	15° - 0°	-	•
Backcheck, mechanical		•	•
Delayed action adjustable by valve (selectable alternative to the hold-open feature)		•	-
Hold-open	Adjustable	•	-
	Fixed 90°	-	•
	Fixed 105°	-	•
Coverplate secured to	cement box	-	-
	floor spring	•	•
Weight in kg		7.1	3.0
Dimensions in mm	Length	341	285
	Width	78	82
	Height	60	50
Floor spring tested to EN 1154		•	•
CE mark for building products (products with factory-fitted hold open do not carry a CE mark)		-	•

• yes - no

¹⁾ For applications involving particularly high or heavy loads, and doors which have to close against wind or draught conditions, the next larger spring strength should be selected.





BTS 75V型 地鉸鏈



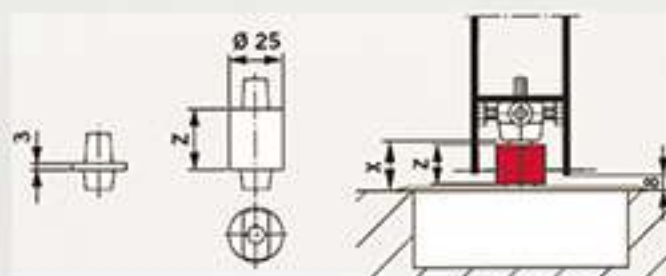
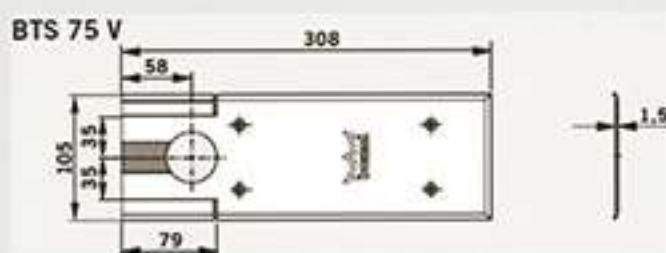
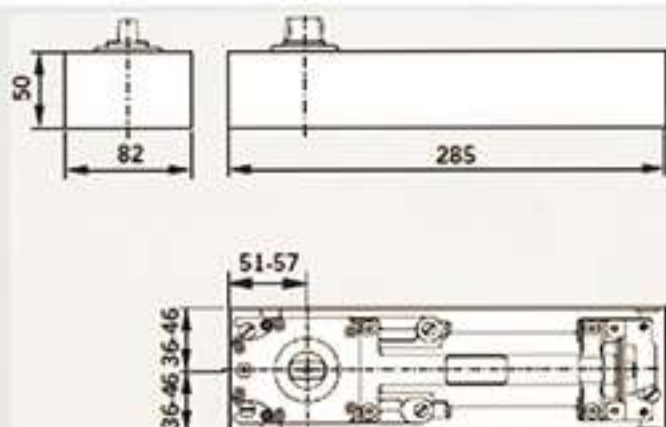
主機尺寸：
50mm x 82mm x 285mm

面板尺寸：
105mm x 308mm

載重：
120kg

適用門寬：
1100mm

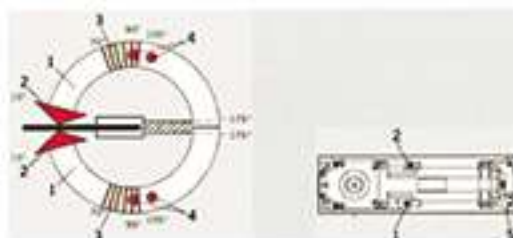
最大開啟角度：
175°



Data and features		BTS 80	BTS 75 V
Spring strength (EN)		3 4 6	1-4
Spring strength adjustment		-	•
Standard and external doors ¹⁾	≤ 950 mm	•	-
	≤ 1100 mm	-	•
	≤ 1400 mm	-	•
Fire and smoke check doors		-	•
Max. leaf weight (kg)		300	120
Non handed, suitable for single and double action doors		•	•
Closing speed adjustable by valve	175° - 0°	•	-
	175° - 15°	-	•
	15° - 0°	-	•
Backcheck, mechanical		•	•
Delayed action adjustable by valve (selectable alternative to the hold-open feature)		•	-
Hold-open	Adjustable	•	-
	Fixed 90°	-	•
	Fixed 105°	-	•
Coverplate secured to	cement box	-	-
	floor spring	•	•
Weight in kg		7.1	3.0
Dimensions in mm	Length	341	285
	Width	78	82
	Height	60	50
Floor spring tested to EN 1154		•	•
CE mark for building products (products with factory-fitted hold-open do not carry a CE mark)		-	•

• yes - no

¹⁾ For applications involving particularly high or heavy loads, and doors which have to close against wind or draught conditions, the next larger spring strength should be selected.





BTS 84型 地鉸鏈



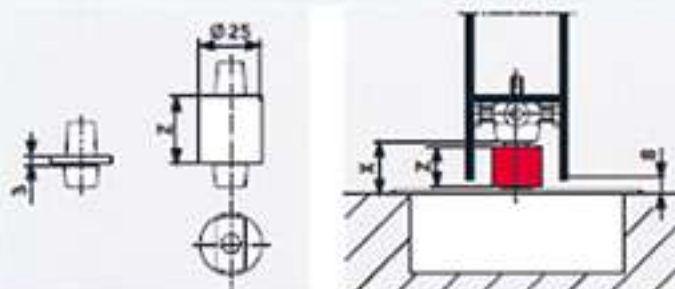
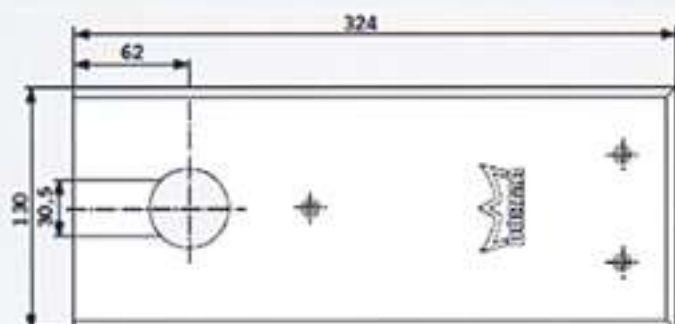
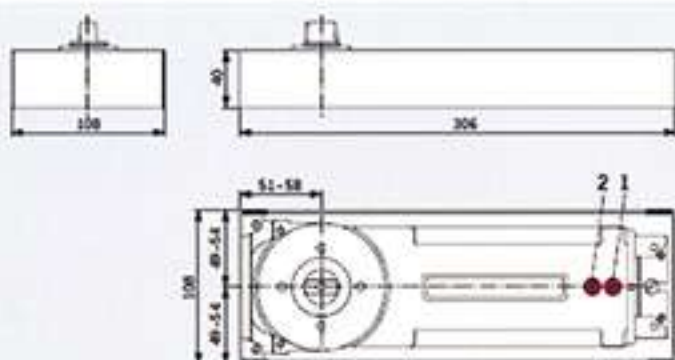
主機尺寸：
40mm x 108mm x 306mm

面板尺寸：
130mm x 324mm

載重：
100kg

適用門寬：
1100mm

最大開啟角度：
130°



Daten und Merkmale		BTS 84		
		EN 2	EN 3	EN 4
Schließkraft				
Allgemeine Türen und Außentüren ^{1) 2)}	≤ 850 mm	●	-	-
	≤ 950 mm	-	●	-
	≤ 1100 mm	-	-	●
Schließgeschwindigkeit über Ventile stufenlos einstellbar		●	●	●
Öffnungsdämpfung		-	-	-
Schließverzögerung		-	-	-
Konstante Feststellung 90° Öffnungswinkel		○	○	○
Gewicht in kg. ca.		5,0	5,0	5,0
Abmessungen in mm				
	Länge	306	306	306
	Breite	108	108	108
	Höhe	40	40	40
Türschließer geprüft nach EN 1154		●	●	●
☐ Kennzeichnung für Bauprodukte (Produkte mit werkseitiger Feststellung erhalten keine ☐-Kennzeichnung)		-	●	●

● ja - nein ○ Option

¹⁾ Für besonders hohe und schwere sowie ständig gegen starken Winddruck schließende Türen sollte der Schließer mit dem nächsthöheren Schließmoment oder der DORMA BTS 80 gewählt werden.

²⁾ Max. Öffnungswinkel 130°. Bei Türen, die sich über 130° öffnen lassen, Türstopper erforderlich.

1. Höhe einstellbarer Schließbereich (130° - 0°)
2. Zweite einstellbare Schließbereich (130° - ca. 20°)
3. Konstante Feststellung bei 90° Option





BTS 65型 地鉸鏈



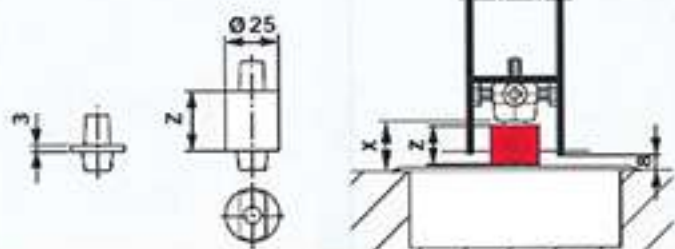
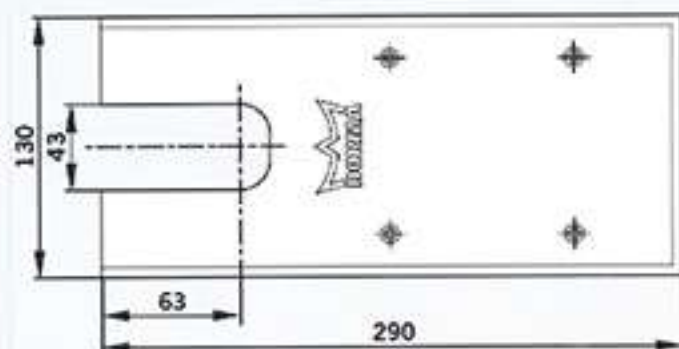
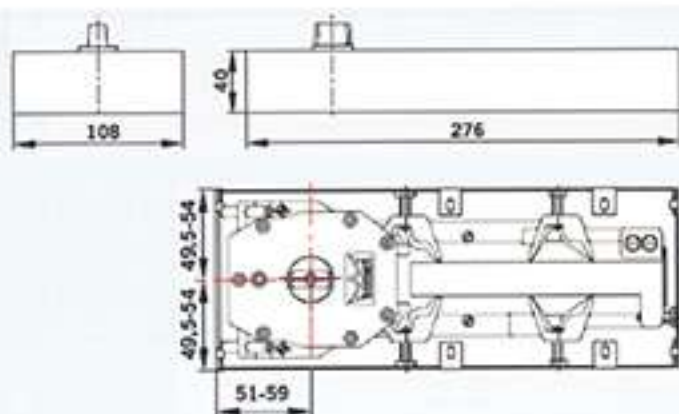
主機尺寸：
40mm x 108mm x 276mm

面板尺寸：
130mm x 290mm

載重：
100kg

適用門寬：
1100mm

最大開啟角度：
130°

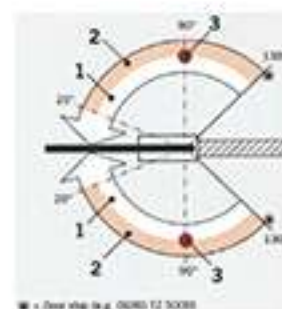


Technical Data		BTS 65	
	Size	EN 3	EN 4
Spring strength			
Standard and ¹⁾	≤ 950 mm	●	-
external doors ^{1) 2)}	≤ 1100 mm	-	●
Max. door weight in kg		100	100
Closing speed variable by valve adjustment		●	●
Backcheck		-	-
Delayed action		-	-
Hold-open point 90°		○	○
Weight in kg, approx.		4,0	4,0
Dimensions in mm	Length	276	276
	Width	108	108
	Height	40	40
Door closer tested to EN 1154		●	●

● Yes - No ○ Option

¹⁾ For applications involving particularly high or heavy doors, and doors which have to close against wind or draught conditions, the next larger closer size or the DORMA BTS 80 should be selected.

²⁾ Max. opening 130°. Door stop necessary for doors which can open further than 130°. (e.g. OGRO TZ 5000).



© Door stop by OGRO TZ 5000



BTS 60TT 地鉸鏈



蓋板尺寸 108x230x50

精緻外型、安全無虞

BTS 60TT 是 DORMA 所生產的最精巧且經濟實惠的地鉸鏈產品，可應用於標準、輕量規格的雙向門（門寬最厚 950mm、門重最重 85kg 內）。
BTS60TT 可搭配不同的安裝配件應用於多種材質，如玻璃門、木質門及 profile door 型材門，滿足不同使用者需求。

BTS 60TT 採用 DORMA TwinTec 雙擊及 SafeForce 安暢技術，因而呈現結構精密、關門力道強而有力，安全性更加提升等產品優點。

規格數據	BTS 60TT	
關門力道級數	3級	
最厚門寬(mm) ¹⁾	950	
最重門重(kg)	85	
關門速度可調整範圍	120°-20°	●
	120°-0°	
開門定位	90°	○
產品重量(kg)	3.4	
底座尺寸(mm)	長	221
	寬	90
	高	50

● 標準 ○ 可選

1) 如使用於較高、較重的門扇上，且安裝在強風、通風對流強勁的環境中，建議選用關門力道級數高一級的地鉸鏈產品，或 DORMA BTS 80 地鉸鏈。

2) 可開門最大角度為 120°；如安裝於可開門角度大於 120° 的門扇上，請搭配門撐使用。



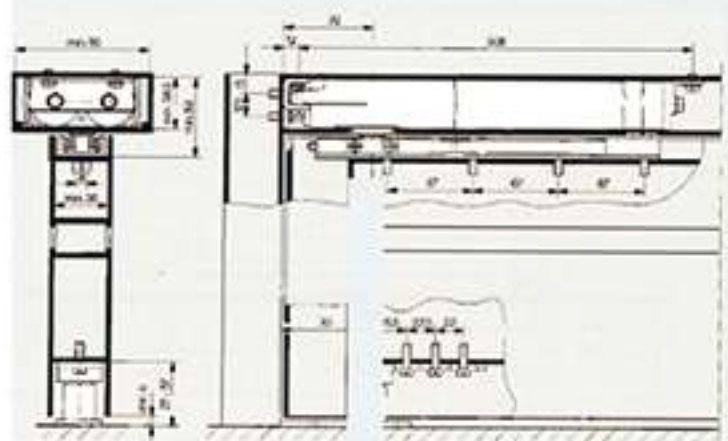
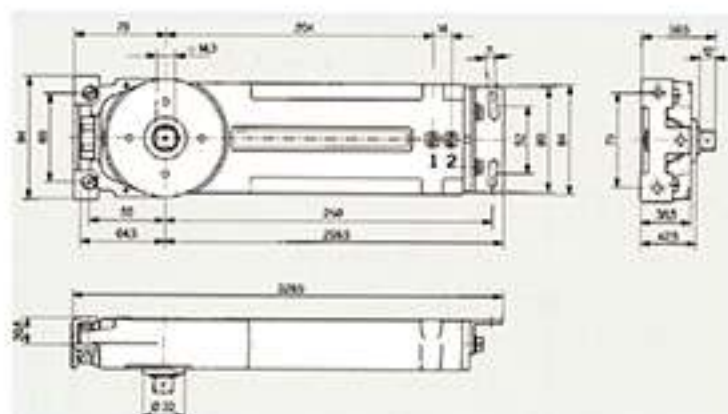
RTS 85 天鉸鏈



外型尺寸：
38mm x 90mm x 323mm

載重：
110kg

適用門寬：
950mm~1250mm

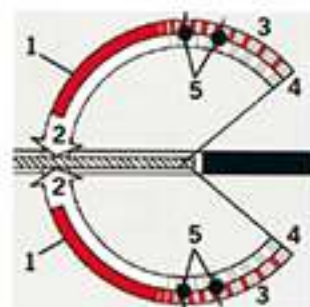


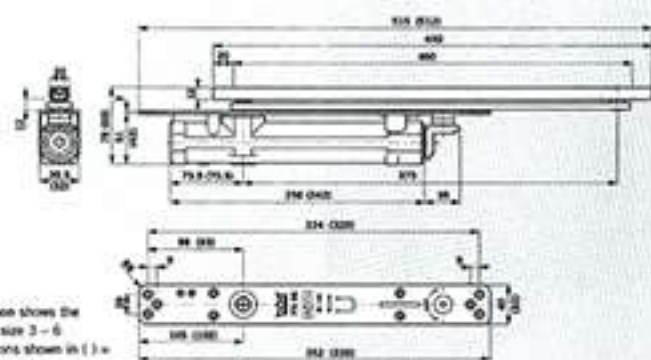
Technical Data		RTS 85		
		EN 3	EN 4	EN 5
Closing force				
Internal doors	up to 950 mm	●	-	-
and external doors ¹⁾	1100 mm	-	●	-
	1250 mm	-	-	●
Same model for double action doors, RH (ISO 5) and LH (ISO 6)				
Closing speed variable by valve adjustment				
		●	●	●
Final closing speed variable by valve adjustment				
		●	●	●
Backcheck, progressive, mechanical				
		●	●	●
Backstop, mechanical				
		●	●	●
Hold-open				
	105°	○	○	○
	190°	○	○	○
Extended spindle				
	005 mm	○	○	○
	010 mm	○	○	○
Reduced pivot point for tempered glass doors (65 mm)				
		○	○	○
Weight in kg		4.7	4.8	4.9
Dimensions in mm				
	Length	323	323	323
	Width	90	90	90
	Height	38	38	38
Door closer tested to EN 1154				
		●	●	●

● Yes - No ○ Option

¹⁾ Max Door weight 110 kg

For applications involving particularly heavy or wide doors, and doors which have to close against wind resistance, the next highest door closer size should be selected.




ITS 96
**Concealed
cam-action
door closer system**

 Illustration shows the
ITS 96, size 3-6
Dimensions shown in ():
ITS 96, size 2-4

Uncompromising technical sophistication

The DORMA ITS 96 has ushered in a new era in door closer technology. The closer body and slide channel are so compact that they can be installed out of sight in doors and their frames. These devices offer the same high quality expected of DORMA door closers, as characterised by their ease of operation for the user,

and wide range of functions. Thanks to the exceptionally slender dimensions of the unit, the DORMA ITS 96 can be installed in virtually all doors with thicknesses of 40 mm or more, and offers all the advantages of quality assured manufacture with third-party auditing.

Certified to ISO 9001.

Plus points

For the trade

- Low inventory costs and reduced stocking requirements thanks to streamlined modular system and separate packaging of closer body and slide channel assemblies.
- Tailor-made applications with special accessories.

For the installer

- Non-handed system.
- Can be incorporated within the door pre-fabrication process, allowing complete installation in the factory.
- Easy adjustment of the closing strength, closing speed and latch action after hanging of the doors.

For the specifier/architect

- Unblemished appearance of prestige doors thanks to concealed installation.
- Ideal for doors integral to the interior design.

For the user

- Optimum protection against vandalism thanks to the concealed installation.
- Enhanced user convenience and fully controlled, reliable closing with adjustable latch action.
- Cushioned limit stay with progressive damping for protection of wall and door.

Data and features

ITS 96

Variable closing force	Spring strength	EN 2-4	EN 3-6
Standard doors ¹⁾	up to 1100 mm up to 1400 mm	• •	• •
External doors, outward opening			
Fire and smoke check doors ¹⁾	up to 1100 mm up to 1400 mm	• •	• •
Door leaf thickness	equal to/greater than 40 mm equal to/greater than 50 mm	• •	- •
Max. door leaf weight in kg		130	180
Non-handed design		•	•
Arm	Slide channel	•	•
Closing force variable by means of adjustable screw			
Closing speed adjustable by means of valve			
Latching speed adjustable by means of valve			
Cushioned limit stay, mechanical			
Delayed action			
Hold-open			
Max. door opening angle (depends on door design)			
		approx. 120°	
Weight in kg		1.3	2.5
Dimensions in mm		Length	277
		Width	32
		Height	39.5
			42
			51
Door closer tested to EN 1154			
CE mark for building products			

• Yes - No ○ Option

¹⁾ For applications involving particularly heavy or wide doors, and doors which have to close against wind resistance, the next highest door closer size should be selected, or the closing force adjusted to a higher setting.



車心絞鏈 (大門用)


 75mmxH85
1.白鐵 2.黑鐵

 65mmxH55
白鐵

 50mmxH43
白鐵

 38mmxH40
白鐵



DC 8 SERIES



外槽型調整桿組



DC 7 SERIES



DC 9 SERIES

產品特性

關門力	適用門扇尺寸 (寬X長) (mm)	適用門扇重量 (kg)
D	800 X 1800	15 - 25
1	800 X 1900	15 - 30
2	900 X 2100	25 - 45
3	950 X 2100	40 - 65
4	1050 X 2400	60 - 85
5	1200 X 2400	80 - 120

Data and features

		TS 83 V	
Closing force, adjustable	Spring size	EN 3-6	EN 7
Standard doors, external doors, outward opening	≤ 1400 mm	●	-
Fire and smoke check doors	≤ 1600 mm	-	●
Non-handed		●	●
Arm assembly	Standard	●	●
	Flatform	●	●
	Slide channel	-	-
Closing force adjustable by screw		●	-
Closing speed adjustable by 2 independent valves	180° - 15°	●	-
	15° - 0°	●	-
Closing force adjustable by valve		●	-
Latching action adjustable by arm		●	●
Backcheck	self-regulating	●	●
	adjustable by valve	●	●
Delayed closing action adjustable by valve		○	-
Hold-open		○	○
Weight in kg		1.7	3.3
Dimensions in mm	Length	245	293
	Overall depth	46	47.5
	Height	60	60
Door closer compliant with EN 1154		●	●
CE mark for construction products		●	●

● yes - no ○ optional

¹⁾ For particularly heavy or wide doors, and doors closing against wind resistance, select the next highest door closer size or adjust to a higher closing force.



DC383

DC387
2-5號可調

產品特性

關門力	適用門扇尺寸 (寬X長) (mm)	適用門扇重量 (kg)
3	950 X 2100	40 - 65
4	1050 X 2400	60 - 85
2-5 可調	900 - 1200 X 2100	25 - 100

 Door Closers DORMA



TS 83



TS 91



TS 73V



EA 偏左右包角

偏腿 (左右通用)



(微規)

輕型非自動絞鍊



型號	DT-909 RL
適用	各種金屬門
門扇尺寸 m/m	900 x 2100
承重kg	90~120



型號	DT-909中心型
適用	各種金屬門
門扇尺寸 m/m	900 x 2100
承重kg	120

重型非自動絞鍊



型號	DT-350 RL
適用	各種金屬門
門扇尺寸 m/m	1200 x 2400
承重kg	120~250



型號	DT-350中心型
適用	各種金屬門
門扇尺寸 m/m	1200 x 2400
承重kg	120~250

自動絞鍊



DT-304A



DT-304B

DT-115
適用於玻璃門、木門



ED 100 ED 250



ED 100	
電源消耗上線	120 Watts
開門力量	EN 2-4, 調整
Max. door-leaf weight for lintel depths of up to 300 mm	100 kg
門片寬度	700-1,100 mm
最大開啟速度	**50*(27**)/second
最大關閉速度	**50*(27**)/second
延伸軸	30/60 mm
軸道深度	+/- 30 mm
標準臂的門扇深度	0- 300 mm



ED 250	
最大電力消耗	240 Watts
開門力量	EN 4-6, 調整
Max. door-leaf weight for lintel depths from 301 mm to 500mm	250 kg to 1,400 mm 門片寬度 190 kg for 1,600 mm 門片寬度
Max. door-leaf weight for lintel depths from 301 mm to 500 mm	160 kg
門片寬度	700-1,600 mm
防火門的門扇寬度	700-1,600 mm
最大開啟速度	60*(27**)/second
最大關閉速度	60*(27**)/second
延伸軸	30-60-90 mm
軸道深度	+/- 30 mm
標準臂的門扇深度	0- 500 mm
For lintel depths standard arm for Fire Protection	0- 350 mm





DORMA ES200



Door parameters	ES 200
1. 面板滑動	
2. 進出寬度	700 - 3000 mm
3. 面板門重量上限	1 x 200 kg
1. 面板滑動	
2. 進出寬度	800 - 3000 mm
3. 面板門重量上限	2 x 160 kg

Technical data	
高度	100 and 150 mm
總體深度	180 mm
閉合力上限, 150N	●
設定開門速度	10 - 70 cm/s
設定關門速度	10 - 50 cm/s
設定開關門時間	0 - 180 sec.
電壓電流頻率	230 V, 50/60 HZ
消耗電功率	250 W
保護類別	IP 20
Compliant with EU low-voltage directives	●
製造符合 ISO 9001:2000	●





DORMA CS80 磁浮自動門

適用：玻璃門 / 木門



Wooden doorframe door
(in-wall)



Glass door/glass clamping rail
(on-wall)



Glass door/
MANET single-point fixings
(on-wall)



Without cover	With cover
1750 mm	1840 mm
2000 mm	2090 mm
2250 mm	2340 mm

Glass door/
MANET single-point fixings**
(on glass wall)



Wooden doorframe door
(on-wall)



Glass door/glass clamping rail
(in-wall)



Glass door/
MANET single-point fixings**
(in-wall)

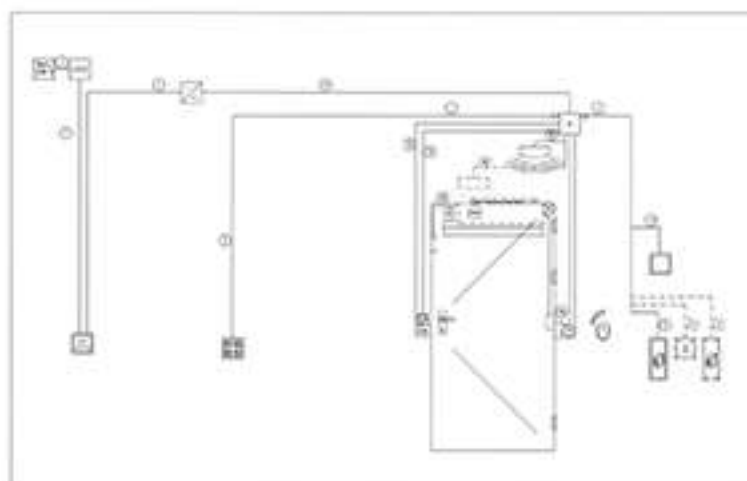


搭配選項：

1. 感應
2. 觸碰
3. 遙控
4. 手動

電源：220#

GEZE Powerturn

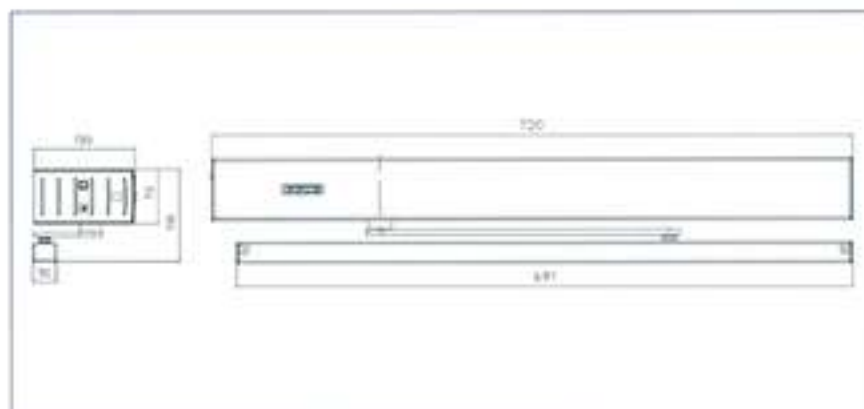


Entry door profile frame, YouTrend, Germany (Photo: GEZE GmbH)

GEZE Powerturn



GEZE Powerturn



Technical data

Product features	GEZE Powerturn 1-leaf / 2-leaf	GEZE Powerturn F	GEZE Powerturn F-15	GEZE Powerturn FIR	GEZE Powerturn FIR-15
Height			70 mm		
Width			220 mm		
Depth			150 mm		
Leaf weight (max.) 1-leaf		600 kg with door widths of 950 mm 300 kg with door widths of 1,350 mm (fire protection doors)			
Hinge clearance (min.-max.) 2-leaf link arm		1400 - 3200 mm			
Hinge clearance (min.-max.) 2-leaf roller guide rail		1600 - 3200 mm			
Leaf width (min.-max.)		800 - 1600 mm			
Reveal depth (max.) ¹⁾	-30 - 500 mm			-30 - 300 mm	
Drive type		Electromechanical			
Door opening angle (max.) ²⁾		135 °			
Spring pre-load**		EN4 - 120			

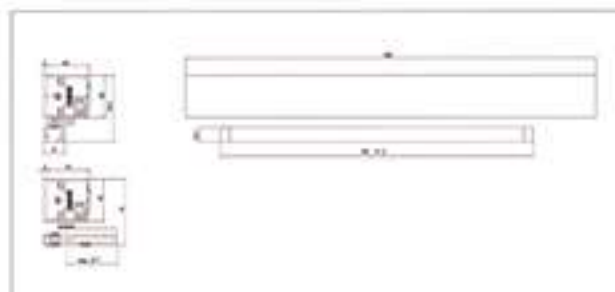


GEZE Ecturn

GEZE Ecturn



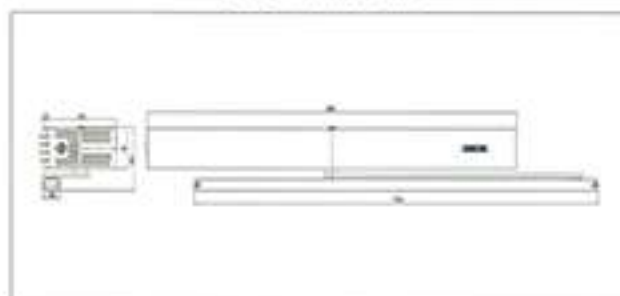
GEZE Ecturn



GEZE Slimdrive EMD



GEZE Slimdrive EMD



實體示意 Pictorial	
原廠種類 Type	EC turn (EC turn inside)
機體尺寸 (高x寬x深) Dimensions drive (HxWxD)	60x580x60mm (61x566x45mm)
承載門頁重量 Leaf weight	125kg
門頁寬度 (上限/下限) Leaf width (min./max.)	650 / 1100mm
電子機械控制系統 Electromechanical drive	■

電子彈簧控制系統 Electrohydraulic drive	
開關門速度調整 Opening and closing speed adjustable	■
Push & Go的微調整 Push & Go adjustable	■
室內門 / 室外門使用 External doors / Internal doors	■/-
適用於防火門上 For fire and smoke protection doors	-
安全感應梯 Safety sensor strip	門扇兩側 Door on both side

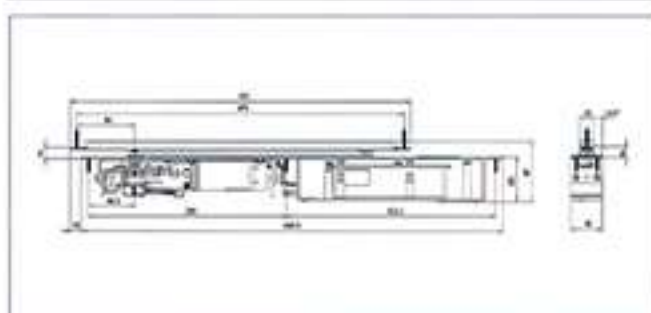
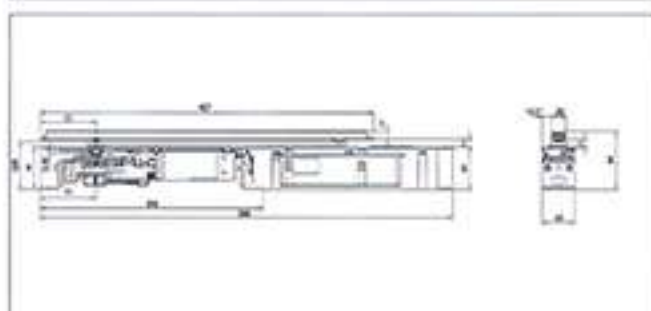


Technical data

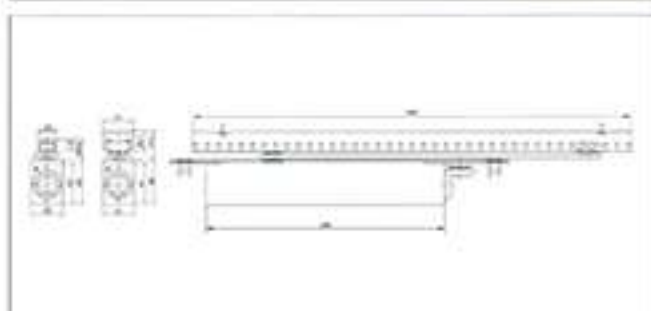
Product features	GEZE Ecturn
Height	60 mm
Width	580 mm
Depth	60 mm
Leaf weight (max.) 1-leaf	125 kg
Leaf width (min./max.)	650 - 1100 mm
Reveal depth (max.)*	200 mm
Door overlap (max.)*	50 mm
Drive type	Electromechanical
Door opening angle (max.)*	110°

GEZE Ecturn Inside 隱藏式電動門弓器

GEGZ Ecturn Inside



GEZE Boxer



Size 2-4

Technical specifications: Closer

Product features	GEZE Boxer 2-4 closer	GEZE Boxer 3-6 closer
Closing force in accordance with EN 1154	2 - 4	3 - 6
Leaf width recommended up to	1100 mm	1400 mm
Leaf weight recommended up to	130 kg	180 kg
Minimum leaf thickness	40	50
Identical version DIN-L and DIN-R	•	•
Product tested in acc. with	Door closer tested in acc. with EN 1154	
Length	285 mm	293 mm
Installation depth	32 mm	40 mm
Height	45 mm	54 mm
Functions		
Adjustable closing force	Yes, infinitely variable	
Adjustable closing speed	•	•
Adjustable latching action	Yes, via valve	
Integrated back check	Yes, hydraulically adjustable	
Closing force adjustment position	Top	
Safety valve to protect against vandalism	•	•

GEZE overhead door closers with link arm

Brief description of the variants

For single-leaf doors

From the smallest overhead door closer to numerous variations for use with fire and smoke protection doors: The door closer range with link arm offers versatile combination options. These have a closing force with variable adjustment and are suitable for right and left single-action doors without conversion being necessary.



TS 1000 C: Door closer with adjustable closing speed up to 950 mm leaf width

With the overhead door closer TS 1000 C, the closing speed and latching action can be adjusted. The variable closing force in two sizes is set by simply turning the bearing block for the link arm around.



TS 1500: Door closer with adjustable closing speed up to 1100 mm leaf width

With the overhead door closer TS 1500, the closing speed and latching action can be adjusted. The variable closing force in two sizes is set by simply turning the bearing block for the link arm around. It is optionally available with a mounting plate and is suitable for both right and left single-action doors without conversion.



TS 2000 NV: Door closer with variable closing force up to 1100 mm leaf width

With the overhead door closer TS 2000 NV with closing force with variable adjustment in accordance with DIN EN 1154 in sizes 2-4, the closing speed can conveniently be set from the front. The latching action is adjusted from the front using a valve.



TS 2000 V: Door closer with variable closing force up to 1250 mm leaf width

With the TS 2000V overhead door closer with variable closing force in accordance with DIN EN 1154 in sizes 2/4/5, the closing speed can conveniently be set from the front. The latching action is adjusted using the link arm.



TS 4000: Door closer with back check

With the overhead door closer TS 4000, the closing force is set from the front. The back check and the thermo-stabilised closing speed with large visual closing force display can also be set from the front.

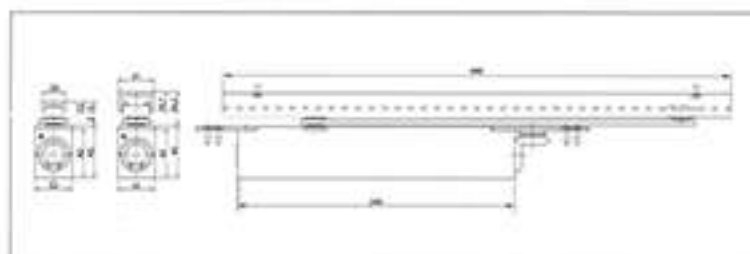


The new GEZE door closer TS 5000 Ecline: High access convenience and large closing force

With the new TS 5000 Ecline system, GEZE is taking a further step forward in the development of its door closers, and is bringing a completely optimised, innovative door closer to the market. It fulfils both fire protection and barrier-free building requirements. Doors with leaf widths of up to 1250 millimetres (EN) can be opened easily with reduced force. In the case of emergency, the TS 5000 Ecline closes doors safely and reliably.



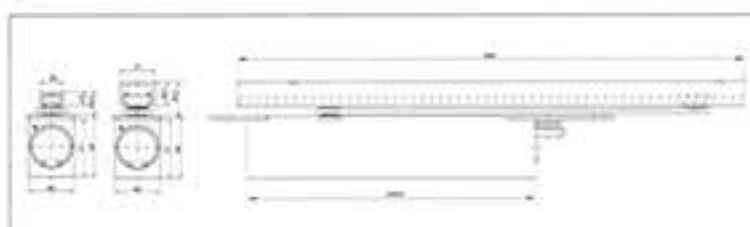
GEZE Boxer



Size 2-4

Application range

- Compatible with left hand and right hand doors without the need for conversion
- Closer size 2-4 for interior doors up to a leaf width of 1100 mm and a leaf weight of 130 kg
- Closer size 3-6 for interior and exterior doors up to a leaf width of 1400 mm and a leaf weight of 180 kg
- Door leaf thickness from 40 mm for size 2-4, from 50 mm for size 3-6
- For fireproof doors with appropriate suitability certificate



Size 3-6

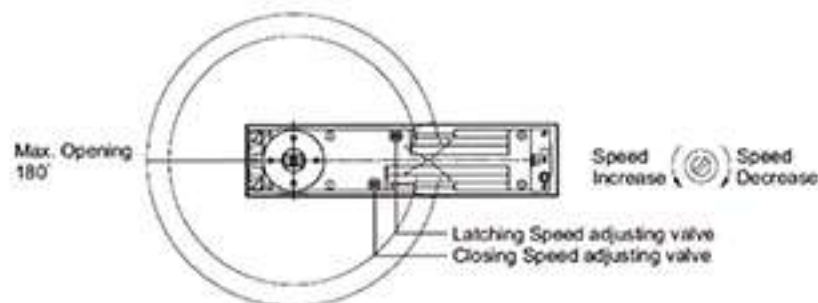
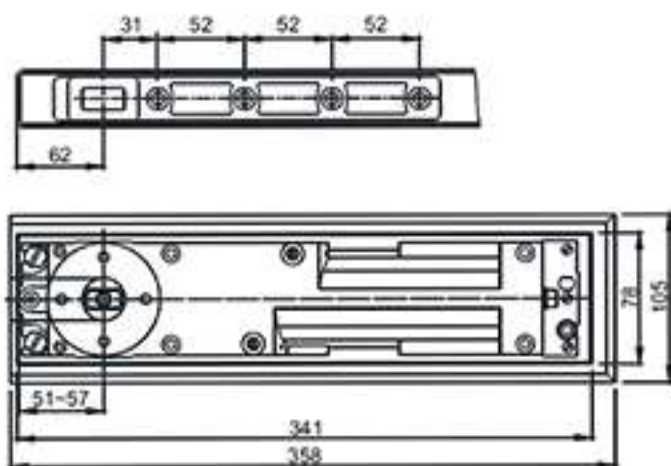
Technical specifications: Closer

Product features	GEZE Boxer 2-4 closer	GEZE Boxer 3-6 closer
Closing force in accordance with EN 1154	2 - 4	3 - 6
Leaf width recommended up to	1100 mm	1400 mm
Leaf weight recommended up to	130 kg	180 kg
Minimum leaf thickness	40	50
Identical version DIN-L and DIN-R	•	•
Product tested in acc. with	Door closer tested in acc. with EN 1154	
Length	286 mm	293 mm
Installation depth	32 mm	40 mm
Height	45 mm	54 mm
Functions		
Adjustable closing force	Yes, infinitely variable	
Adjustable closing speed	•	•
Adjustable latching action	Yes, via valve	
Integrated back check	Yes, hydraulically adjustable	
Closing force adjustment position	Top	
Safety valve to protect against vandalism	•	•



TS500N EN3	TS500	TS500NV	TS550NV
100KG 950MM	100KG 1100MM	150KG 1100MM	300KG 1400MM
<ul style="list-style-type: none"> • 有內置式風壓阻抗 • 可調範圍：前後10mm 左右10mm 水平6mm • 一次調配閉門速度 	<ul style="list-style-type: none"> • 有內置式風壓阻抗 • 可調範圍：前後10mm 左右10mm 水平6mm • 一次調配閉門速度 	<ul style="list-style-type: none"> • 可調式彈簧強度 • 最後閉門調整 • 有內置式風壓阻抗 • 可調範圍：前後10mm / 左右10mm / 水平6mm • 一次調配閉門速度 	<ul style="list-style-type: none"> • 可調式彈簧強度 • 有內置式風壓阻抗 • 可調式閉鎖定位角度：60°-120° • 可調範圍：前後10mm / 左右10mm / 水平6mm • 一次調配閉門速度

JIA-BEN 型號：JIA750



外型尺寸：
60mm x 78mm x 341mm

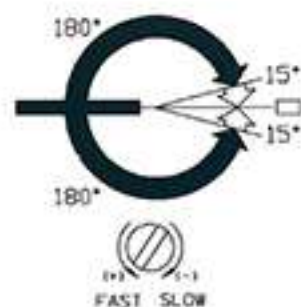
面板尺寸：
105mm x 358mm

最大載重：
300kg

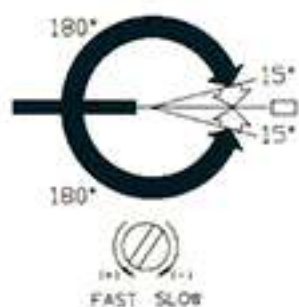
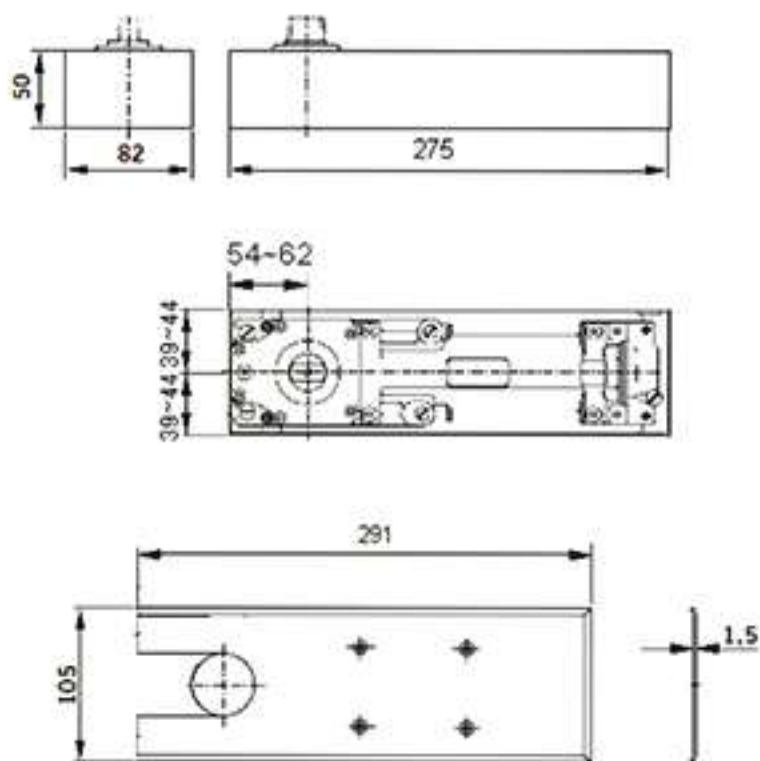
適用門寬：
1100mm ~ 1400mm

最大開啟角度：
180°

Spring strength (EN)		3	4	6
Spring strength adjustment		-	-	-
Standard and external doors ¹⁾	≤ 950 mm	●	-	-
	≤ 1100 mm	-	●	-
	≤ 1400 mm	-	-	●
Fire and smoke check doors		-	-	-
Max. leaf weight (kg)				300
Non-handed, suitable for single and double action doors				●
Closing speed adjustable by valve	175° - 0°			●
	175° - 15°			-
	15° - 0°			-
Backcheck, mechanical				●
Delayed action adjustable by valve (selectable alternative to the hold-open feature)				●
Hold-open	Adjustable			●
	Fixed 90°			-
	Fixed 105°			-
Coverplate secured to	cement box			-
	floor spring			●
Weight in kg				7.1
Dimensions in mm	Length			341
	Width			78
	Height			60
Floor spring tested to EN 1154				●
CE mark for building products (products with factory-fitted hold-open do not carry a CE mark)				-



JIA-BEN 型號：JIA790



外型尺寸：
50mm x 82mm x 275mm

面板尺寸：
105mm x 291mm

載重：
150kg

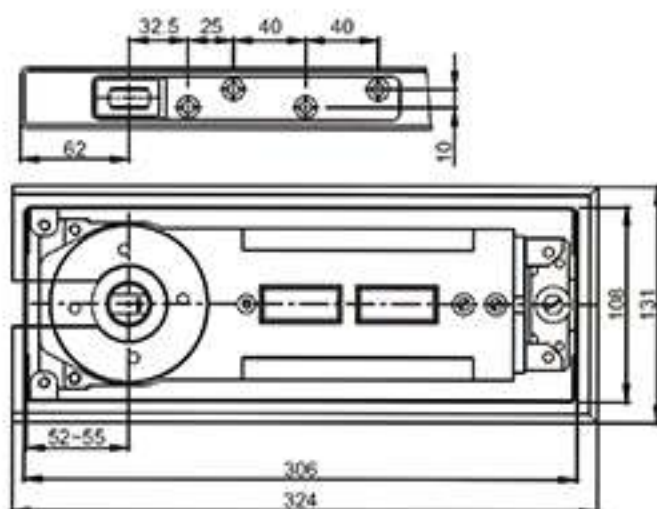
適用門寬：
1200mm

最大開啟角度：
180°

Spring strength (EN)		1-4
Spring strength adjustment		•
Standard and external doors ¹⁾	≤ 950 mm	-
	≤ 1100 mm	•
	≤ 1400 mm	-
Fire and smoke check doors		•
Max. leaf weight (kg)		120
Non-handed, suitable for single and double action doors		•
Closing speed adjustable by valve	175° - 0°	-
	175° - 15°	•
	15° - 0°	•
Backcheck, mechanical		•
Delayed action adjustable by valve (selectable alternative to the hold-open feature)		-
Hold-open	Adjustable	-
	Fixed 90°	•
	Fixed 105°	•
Coverplate secured to	cement box	-
	floor spring	•
Weight in kg		3.0
Dimensions in mm	Length	275
	Width	82
	Height	50
Floor spring tested to EN 1154		•
CE mark for building products (products with factory-fitted hold-open do not carry a CE mark)		•

• yes - no

JIA-BEN 型號：JIA843



外型尺寸：
40mm x 108mm x 306mm

面板尺寸：
131mm x 324mm

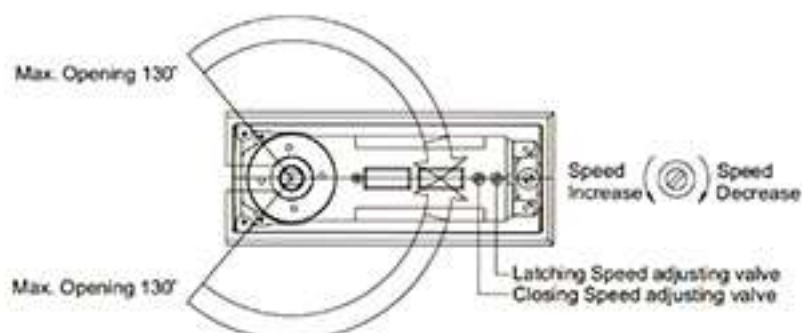
載重：
80kg ~ 120kg

適用門寬：
850mm ~ 1200mm

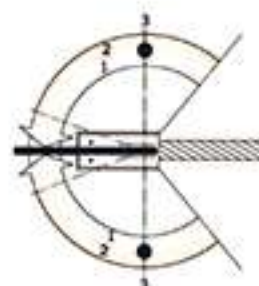
最大開啟角度：
130°

Schließkraft	EN 2	EN 3	EN 4
Allgemeine Türen und Außentüren ^{1) 2)}			
a 850 mm	●	-	-
a 950 mm	-	●	-
a 1100 mm	-	-	●
Schließgeschwindigkeit über Ventile stufenlos einstellbar	●	●	●
Öffnungsdämpfung	-	-	-
Schließverzögerung	-	-	-
Konstante Feststellung 90° Öffnungswinkel	○	○	○
Gewicht in kg. ca.	5,0	5,0	5,0
Abmessungen in mm			
Länge	306	306	306
Breite	108	108	108
Höhe	40	40	40
Türschließer geprüft nach EN 1154	●	●	●
☐ Kennzeichnung für Bauprodukte (Produkte mit werkseitiger Feststellung erhalten keine ☐-Kennzeichnung)	-	●	●

● ja - nein ○ Option



- 1 Erste einstellbarer Schließbereich (130° - 0°)
- 2 Zweiter einstellbarer Schließbereich (130° - ca. 20°)
- 3 Konstante Feststellung bei 90° (Default)



JIA-BEN 型號：JIA710



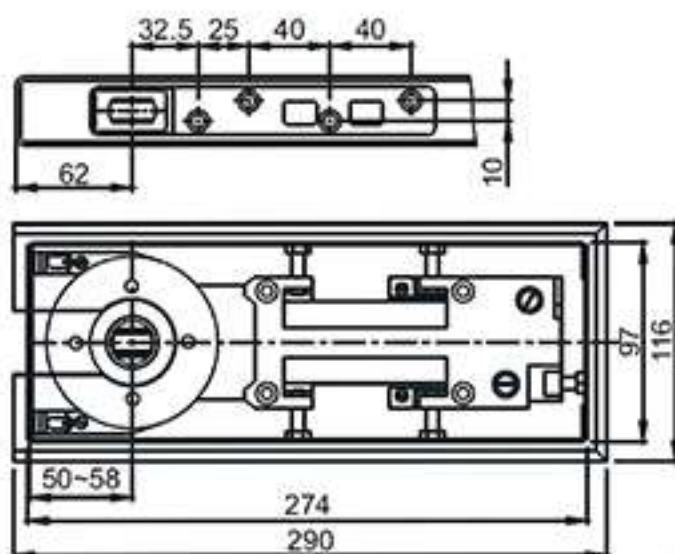
外型尺寸：
40mm x 97mm x 274mm

面板尺寸：
116mm x 290mm

載重：
80kg

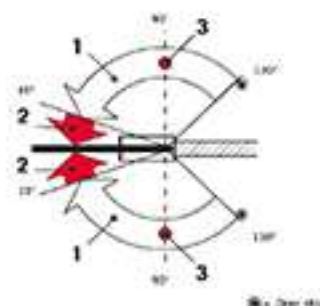
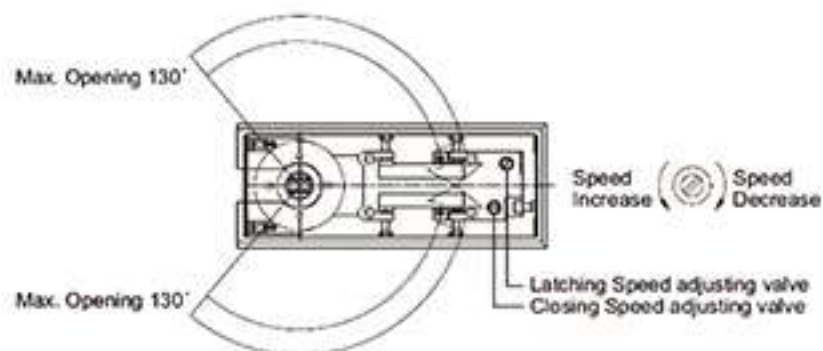
適用門寬：
≤ 900mm

最大開啟角度：
130°



Spring strength	Size	3
Standard doors ¹⁾ □	≤ 900 mm	●
Max. door weight in kg		80
Closing speed variable by valve adjustment	130°-15° 15°-0°	●
Backcheck		-
Hold-open point 90°		○
Weight in kg, approx.		4,4
Dimensions in mm	Length	274
	Width	97
	Height	40

● Yes - No ○ Option



JIA-BEN 型號：JIA222



外型尺寸：
47mm x 143mm x 297mm

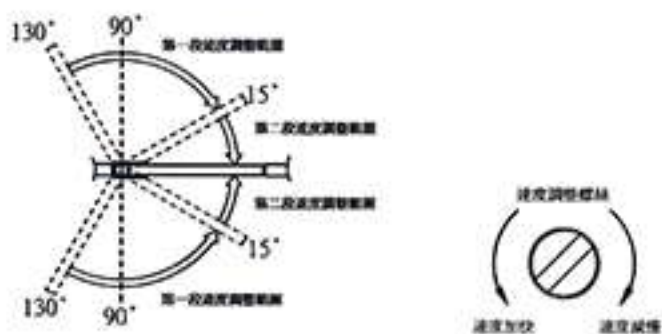
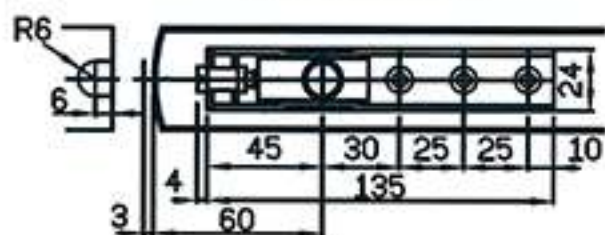
面板尺寸：
147mm x 308mm

載重：
105kg

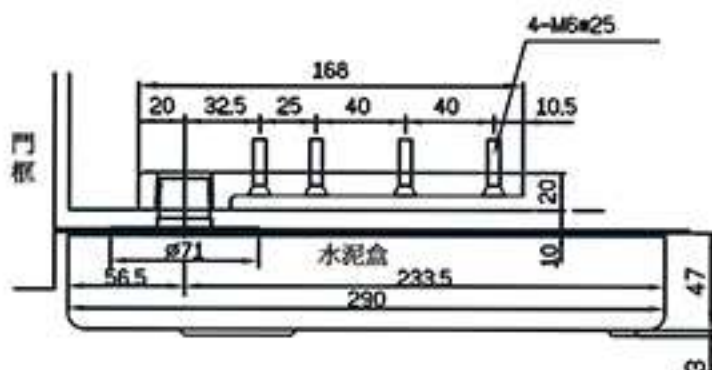
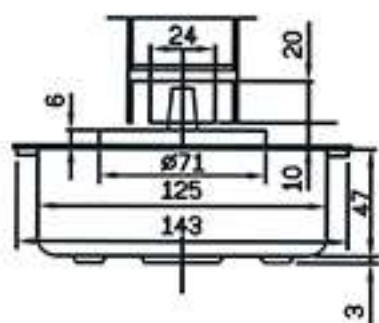
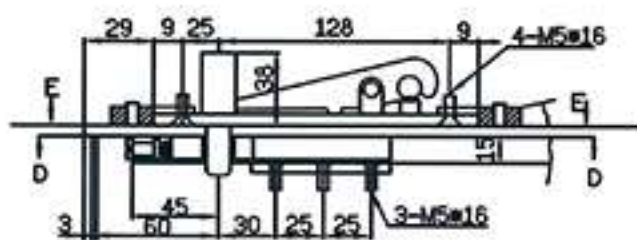
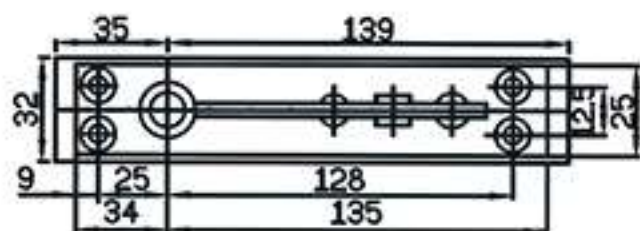
適用門尺寸：
950mm寬 x 2100mm高

最大開啟角度：
130°

上樞軸 (門扇尺寸圖)



上樞軸 (上樞柱尺寸圖)



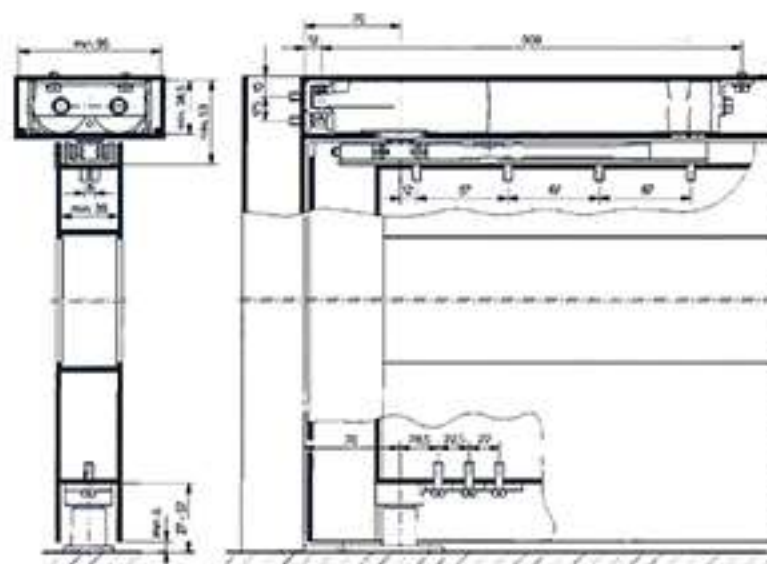
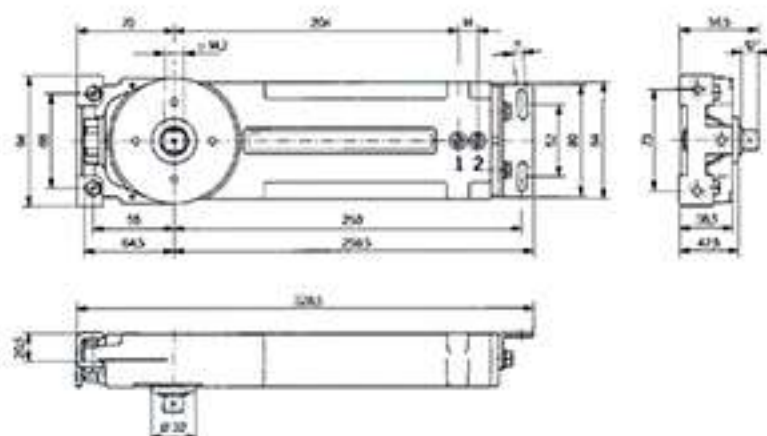
JIA-BEN 型號：JIA850 天鉸鏈



外型尺寸：
38mm x 90mm x 323mm

載重：
110kg

適用門寬：
950mm ~ 1250mm

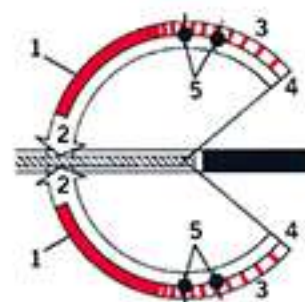


Closing force		EN 3	EN 4	EN 5
Internal doors up to 950 mm and external doors ¹⁾	up to 950 mm	●	-	-
	1100 mm	-	●	-
	1250 mm	-	-	●
Same model for double action doors, RH (ISO 5) and LH (ISO 6)				
Closing speed variable by valve adjustment		●	●	●
Final closing speed variable by valve adjustment		●	●	●
Backcheck, progressive, mechanical		●	●	●
Backstop, mechanical		●	●	●
Hold-open	105°	○	○	○
	190°	○	○	○
Extended spindle	005 mm	○	○	○
	010 mm	○	○	○
Reduced pivot point for tempered glass doors (65 mm)		○	○	○
Weight in kg		4.7	4.8	4.9
Dimensions in mm	Length	323	323	323
	Width	90	90	90
	Height	38	38	38
Door closer tested to EN 1154				

● Yes - No ○ Option

¹⁾ Max Door weight 110 kg

For applications involving particularly heavy or wide doors, and doors which have to close against wind resistance, the next highest door closer size should be selected.



NEW STAR
SINCE 1979

H(s)-211/222/233



型號		適用規格	最大門重	主體尺寸
不附停止	附停止	DWxDH mm	Kg	mm
H-211	HS-211	900x2100	70	297x143x47
H-222	HS-222	950x2100	105	
H-233	HS-233	1050x2400	185	
H-311	HS-311	900x2100	70	294.6x93x50
H-322	HS-322	950x2100	105	
H-333	HS-333	1050x2400	185	
H-1300	HS-1300	950x2100	110	340x178x45.6
H-1400	HS-1400	1050x2400	185	

AQ系列 防水地鉸鏈

- AQ HS-522
- AQ HS-533



- 密封防水膠墊 3mm 增厚面板，10 顆固定螺絲，提高密封度和防水性。
- 適用於容易積水或潮濕之場所，如：大樓入口、餐廳、廚房、地下室等。

US系列 加強防水地鉸鏈

- US HS-1300



- 不銹鋼外殼。
- 防水墊圈有效防止水從主軸處滲水。
- 特有的主軸設計，使主機移動時，防水墊圈也不會位移，能加強防水效果。

Top Pivot

Top Jamb Side

Door Side

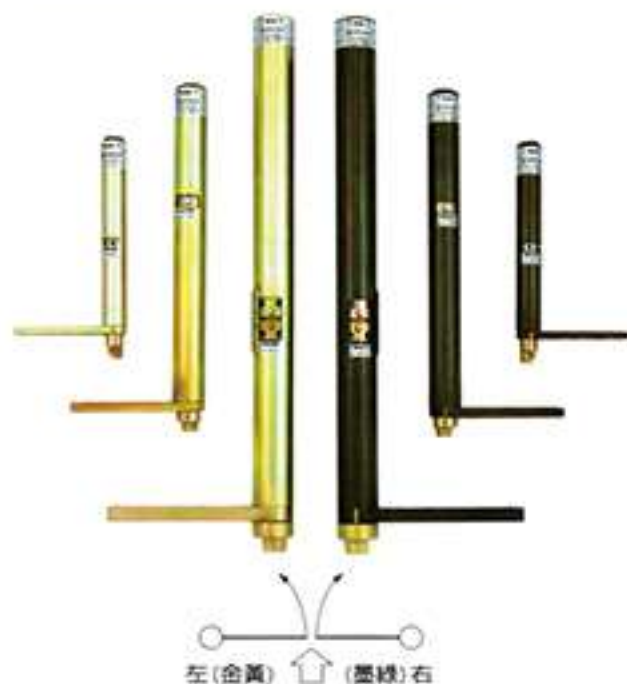
Type Z

Model Number				Applicable Door Dimensions DWxDH mm	Maximum Door Weight kg
Double action		Single action			
Without Hold-open	With Hold-open	Without Hold-open	With Hold-open		
H-511	HS-511	H-515	HS-515	900x2100	70
H-522	HS-522	H-525	HS-525	950x2100	105
H-533	HS-533	H-535	HS-535	1050x2400	150
H-511 Z	HS-511 Z	H-515 Z	HS-515 Z	900x2100	70
H-522 Z	HS-522 Z	H-525 Z	HS-525 Z	950x2100	105
H-533 Z	HS-533 Z	H-535 Z	HS-535 Z	1050x2400	150

Center-hung
120° inward and outward opening
90° hold-open

Center-hung
120° single-action 90° hold-open
Right or Left hand

L 型自動鉸鏈 中心型

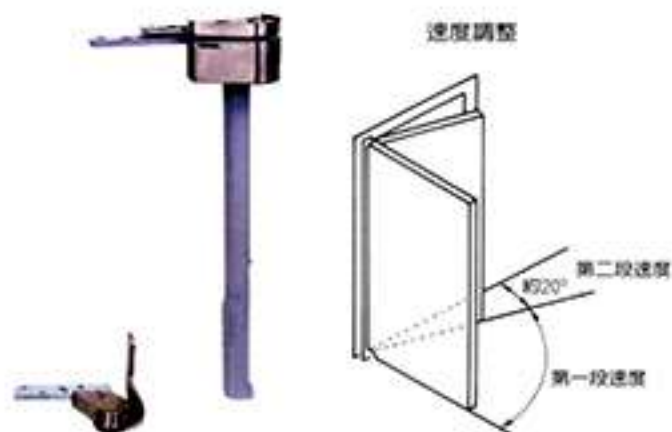


隱藏型：裝置於門的周圍，不會損壞地面，適用於防火門和排煙門，單向開須分左右門扇，最大可開啓180°

型號	通用規格	通用門重	最小門厚
	DWxHW mm	kg	mm
A-8	800x2000	50	36
A-10	1000x2100	85	40
A-12	1200x2100	100	40
A-14	1400x2100	130	40
A-16	1600x2400	160	45
A-18	1800x2400	200	50
A-22	200x2400	240	50
A-26	2600x2600	310	55
A-30	2600x2600	410	55
A-30H	3000x2600	510	55

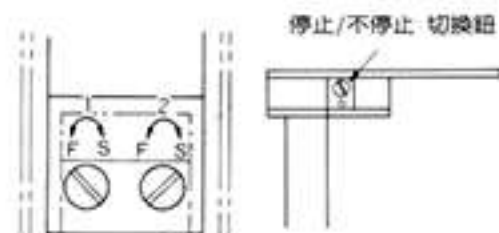


L 型自動鉸鏈 偏心型



隱藏型：裝置於門的周圍，不會損壞地面，可依現場需求選擇插入式及平貼式兩種底座，單向開須分左右門扇，最大可開啓180°

型號	通用規格	通用門重	最小門厚
	DWxHW mm	kg	mm
643	950x2100	70	40



防煙門扣



機械式之門扣裝置，在正常情況之下維持防火門為常開門狀態，當煙感設備感應到熱或煙的異常反應後，線間通電，門扇即會因門弓器、地鉸鏈之作用而關閉。

型號	N78-B	N-64SL	N73
安裝型式	嵌壁型	上框隱藏型	地板固定式
定格電壓	DC24V		
定格電流	130mA	300mA	100mA
適用電壓	DC18V-DC30V	DC19V-DC29V	DC18V-DC30V
固定力	可調式 10Nm-78Nm	25 Nm	8 Nm



本產品優勢

- ▶ 最大承載重量200kgs.
- ▶ 兩段式關門速度調整機構.
- ▶ 可前後左右調整本體位置.
- ▶ 中心懸吊式機種, 可內、外開各90°.
- ▶ 通過日規100萬次壽命試驗.
- ▶ 日規特殊鋼精密加工, 不漏油.
- ▶ 適用於各種不同氣候(零下-35°).
- ▶ 適用於各類鋼門、玻璃門、鋁門.
- ▶ 附5年品質保證卡.



最 Popular 的
新勢力 窄型



EN / BS / ANSI / ASQ ISO9001. CE

KT 800 Series

機型 MODEL	KT-822	KT-833	KT-834	維修調整示意圖
開閉樣式 HOLD-OPEN				
適用門參考尺寸 Door Width (mm)	950 x 2100mm	1200 x 2400mm	1600 x 2400mm	*【面板尺寸(G) 324mm x (H) 100mm】 ① 調整主機前後位置螺絲 ② 調整主機左右位置螺絲 A 1速: 關門速度調整閥 B 2速: 門上門速度調整閥
適用門重 Door Weight kgs(lbs)	105 kgs (231 lbs)	150 kgs (330 lbs)	200 kgs (441 lbs)	

不銹鋼插梢連動鎖



LHS-300 LHS-400



ST500H ϕ 5/8xL:510
 ST600H ϕ 3/4xL:550
 ST700H ϕ 7/8xL:610
 ST800H ϕ 1"

型號	400H	500H	600H	700H	800H
芯	1/2"	5/8"	3/4"	7/8"	1"
總長(L)	270	510	550	610	
304白鋼	V	V	V	V	V
201白鋼	V	V	V	V	V
電鍍	V	V	V	V	V

304白鋼·電鍍 為台灣生產製造。

ST大鈎串(芯1/2")
 ST小鈎串(芯3/8")



ST鋁門串168

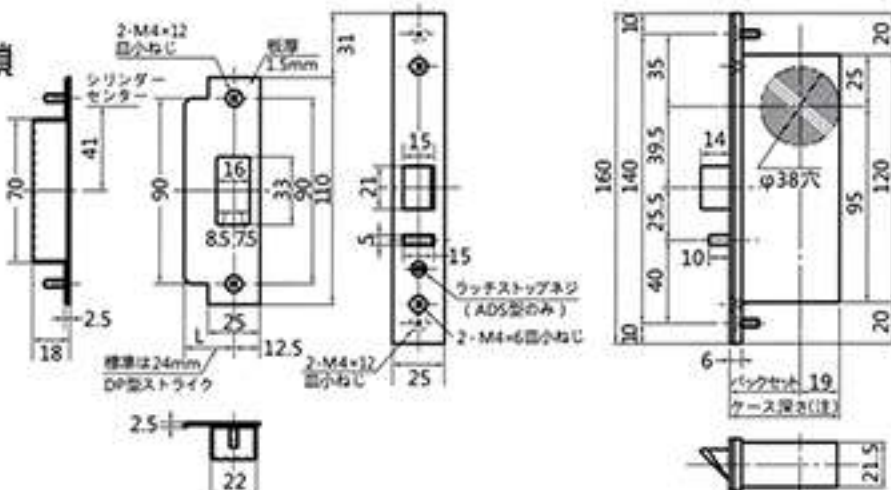


防盜天地串 (2支/組)
 304#

ST大線串 (左/右)
 5/8"L:360

U9ADS-1

斜舌鎖



Model	Outside	Sketch	Inside	Operation		Applications
				Locking	Unlocking	
ADK-1	Cylinder (鎖錠)		Thumb-turn (解錠)	Automatically locked when door is closed.	Unlocked by key from outside and by thumb-turn from inside.	Common entrance of apartments, others.
ADK-2	Cylinder (鎖錠)		None (無)	Automatically locked when door is closed.	Unlocked by key from outside. Cannot be unlocked from inside.	Inspection doors, others.
ADK-3	None (無)		Thumb-turn (鎖錠)	Automatically locked when door is closed.	Unlocked by thumb-turn from inside. Cannot be unlocked from outside.	Terraces, others.
ADK-4	Cylinder (鎖錠)		Cylinder (鎖錠)	Automatically locked when door is closed.	Unlocked by key from either side.	Warehouses, others.
ADK-5	Thumb-turn (鎖錠)		Thumb-turn (鎖錠)	Automatically locked when door is closed.	Unlocked by Thumb-turn from either side.	partitions others

Single swinging door		
Door thickness (maximum less than)	Symbol	Dimension L
29 - 33	CM	34
33 - 42	DP	51
42 - 50	RT	57
50 - 66	G	64

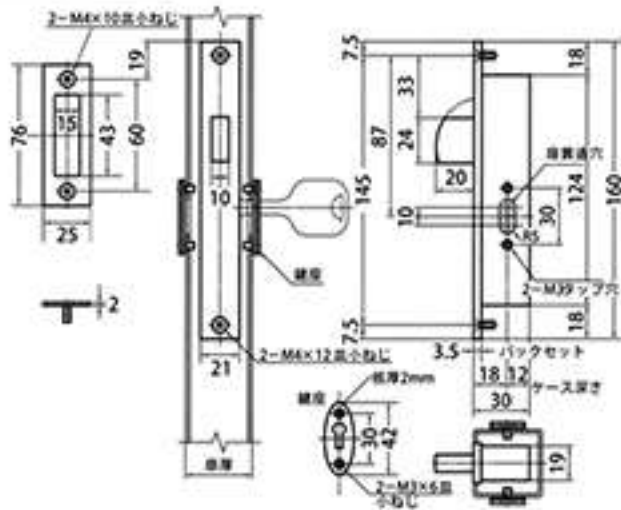
AD1	Standard type/Automatic locking function
ADS	Can be held in the latchbolt latching position by simply turning the "Latchbolt holding screw"
ADS	Can be held in the latchbolt latching position by key or thumb-turn

■ Strike Dimension L for various door thicknesses (mm)

Specifications	
Backset (mm)	34 - 51 - 64
Door thickness range (mm)	29 - 33 - 33 - 42 - 42 - 50 - 50 - 58 - 58 - 66

GLH

平頭暗鎖



GAA

玄関門副鎖

■ 規格: 玄関/勝手口 / ランドナー・ブローック補助錠

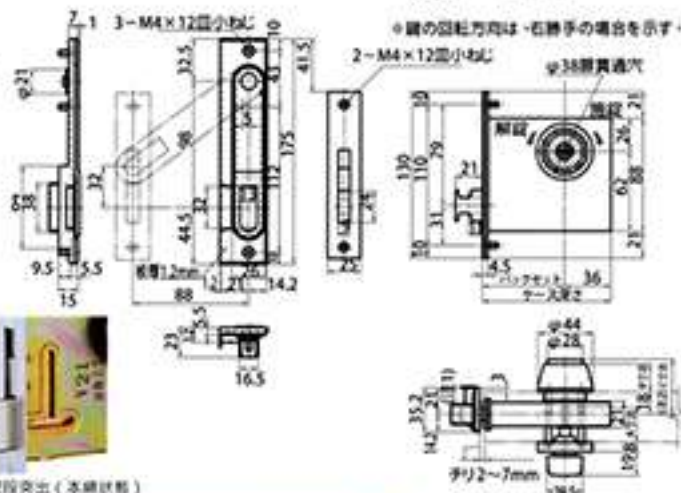


写真はPRGAA-1型 (反勝手型を示す)



使用例 (ガードロック状態)

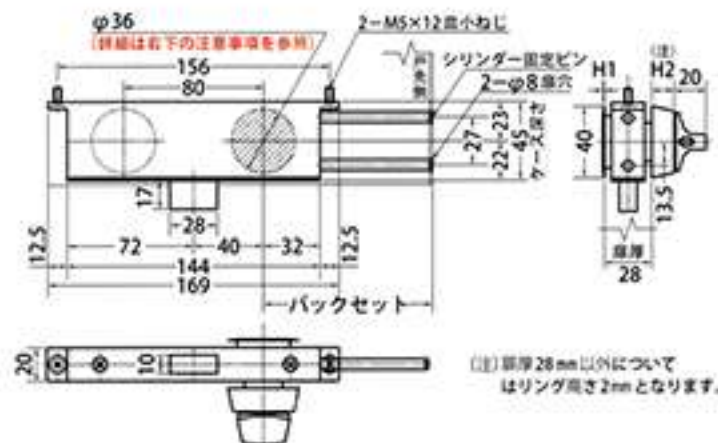
1段突出 (ガードロック状態) 2段突出 (本錠状態)



◎錠の回転方向は、右勝手の場合を示す。

設置可能シリンダー	型式	外面	結露	内面	使用法	同業者	仕様
PR (U) (IN)	GAA-1	シリンダー		サムターン	・外面からキーにて施錠錠 ・内面からサムターンにて施錠錠	武蔵、勝手口等のワンナー・ブローック補助錠	バックセット (mm) 51 - 64 設置可能厚 (mm) 33 - 35 - 35 - 37 - 37 - 39 - 39 - 42 (mm以上 - mm未満) 42 - 44 - 44 - 46

U9TRU-1 地鎖(平面式)



■ Specifications

Backset (mm) 48 · 100 · 125 · 150

Door thickness range (mm) 28 · 40 · 46

Determining Whether You Need a "Left-Hand" or a "Right-Hand" Version

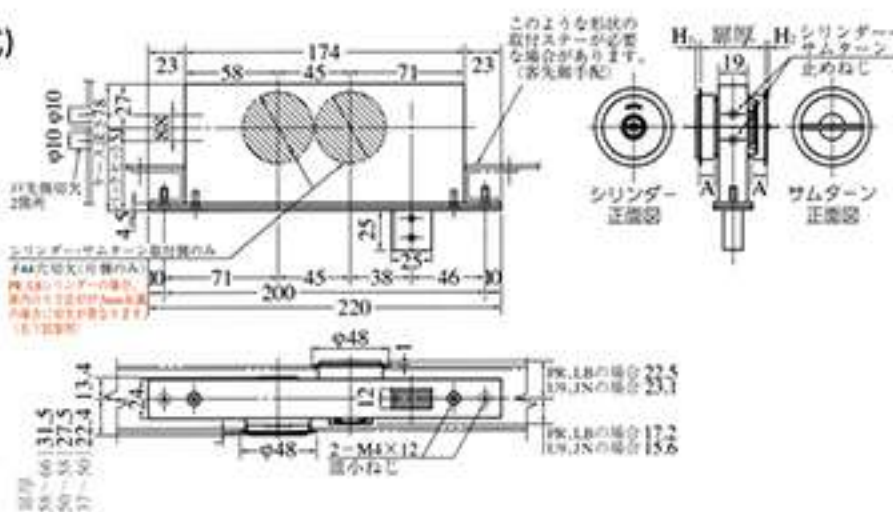
Look at the door from its door front. If the cylinder (for the functions model 4), the cylinder that is at the leading of the door) is on the right side, you need a "Right-Hand". If the cylinder is on the left side, you need a "Left-Hand".

Left-Hand Right-Hand



Model	TRU-1 TRU-3D	TRU-2	TRU-4
Door thickness range (minimum is less than mm)			
28	①	③	
40 - 46	②	④	⑤

U9DG2D-1 地鎖(門檔式)

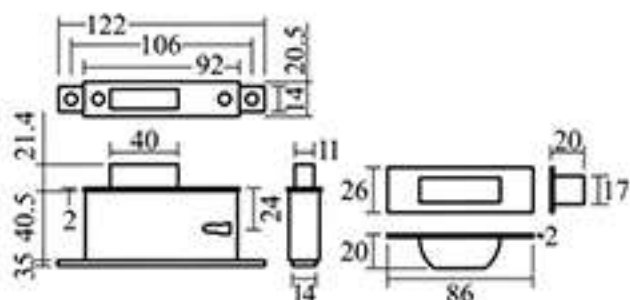


■ Specifications

Backset (mm) 51

Door thickness range (mm) 37 · 42 · 42 · 46 · 46 · 50 · 50 · 54 · 54 · 58 · 58 · 62 · 62 · 66

HG-TRH 地鎖(隠蔽式)





160 暗鎖(平舌)



163(25,50) 暗鈎鎖



160A 暗平舌(内附轉鈕)
163A暗鈎鎖(内附轉鈕)



161(50,60) 暗栓



162(50) 暗鎖(平舌)

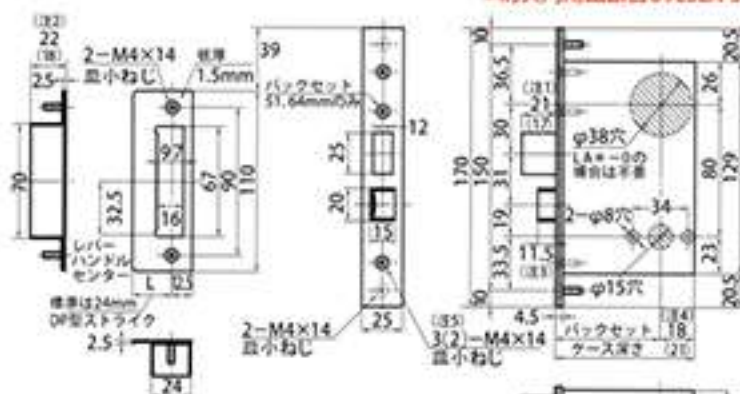


164 暗平舌(内附轉鈕)
164A暗鈎鎖(内附轉鈕)

U9LA-51 水平鎖



◀防火門用鐵鎖舌U9ESLA-51



Specifications

Backset (mm)	31 · 38 · 51 · 64 · 76 · 100
Spacing (mm)	80
Door thicknessrange (mm)	29 - 33 · 33 - 42 · 42 - 50 · 50 - 58 · 58 - 66



268 地鎖



265 平頭鎖

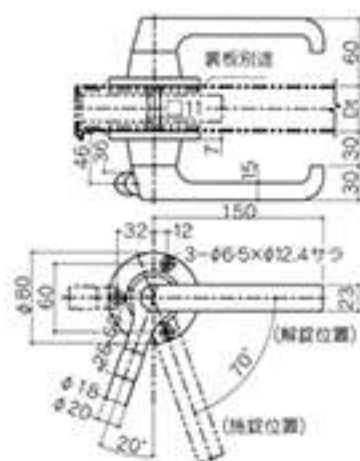
型 号	平鎖鎖	斜舌鎖	鈎鎖	地鎖
	165	166	167	168
	165-2	166-2	167-2	168-2
	165-3	166-3	167-3	168-3
	165-4	166-4	167-4	168-4
B/S: (m/m)	30, 40, 50	38, 50, 51	50	28
門厚: (m/m)	42-50, 50-58, 58-66			

ローラー付グレモンハンドル

H56VX

H56VX-4 (TP用ハンドル)

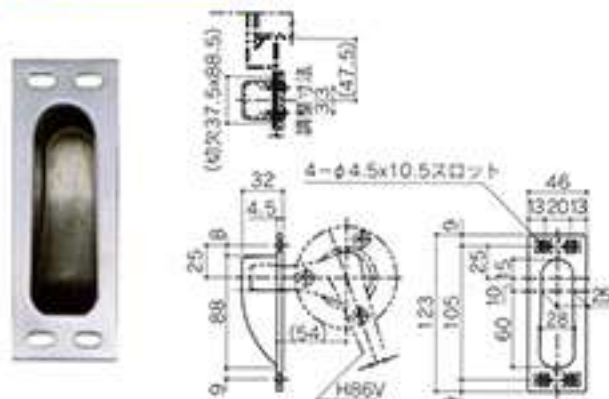
H56VX-5 (角芯固定片面ハンドル)



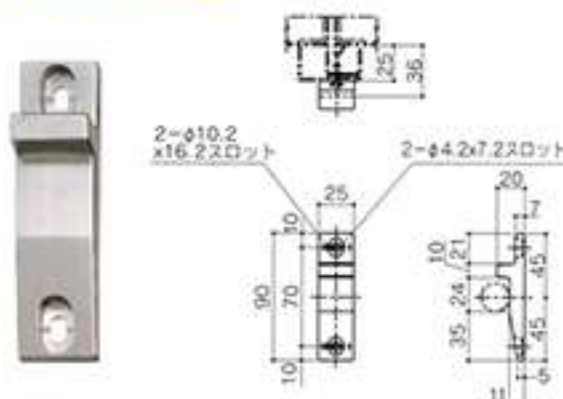
詳細内容

材質	亜鉛ダイキャスト
仕上	焼付塗装
セット部品	M6x12丸ネジ 小ネジ 母SUS 6本又は3本付 φ11角芯付

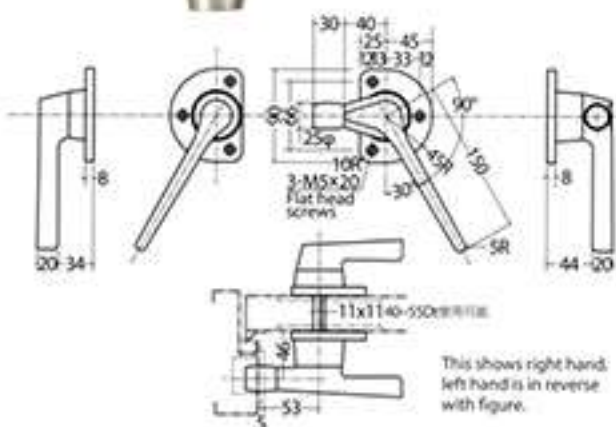
DFB-28



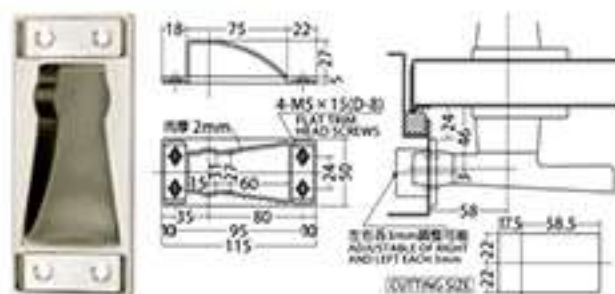
DFB-29



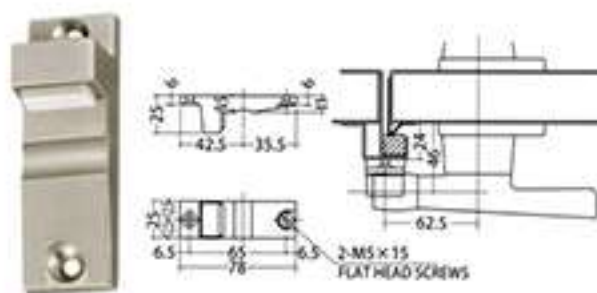
5600

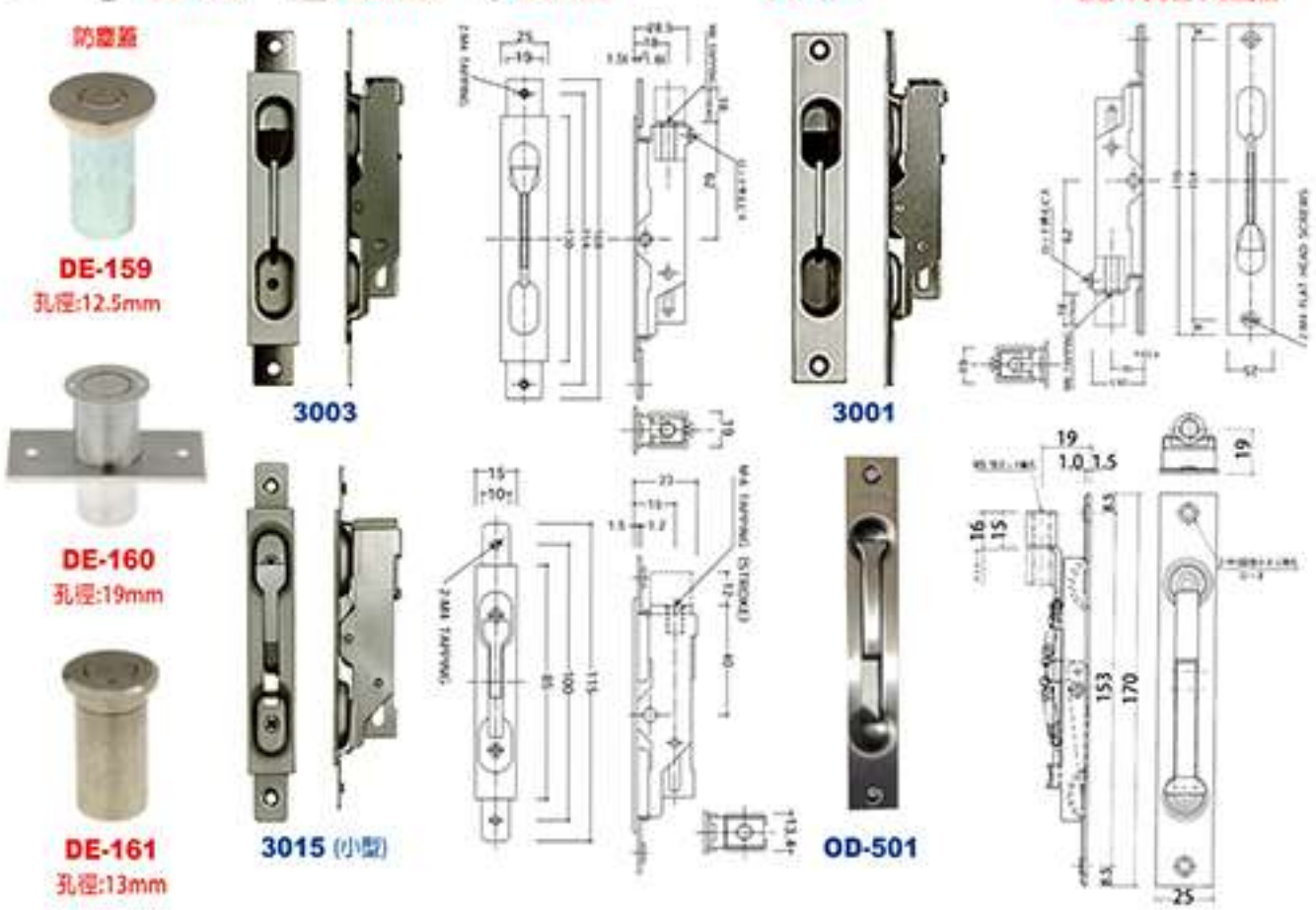
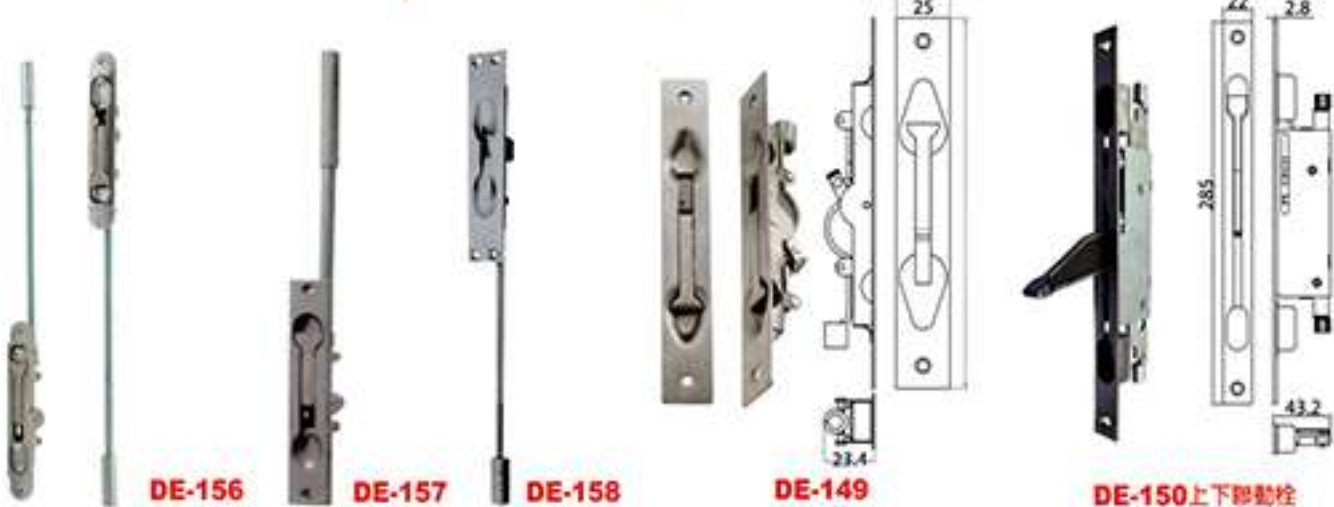


5601



5602





500S 平推不銹鋼防火門鎖
Stainless Steel

平推式

單扇門用

CE



500P 平推烤漆防火門鎖
Painted

平推式

單扇門用

CE



300P 下壓烤漆防火門鎖
Press Type, Painted

平推式

單扇門用

CE



320P 下壓天地門烤漆防火門鎖
Press Type, Painted, w/ Vertical Rod

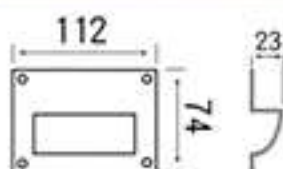
平推式

單扇門用

CE



GC3005 凹槽把手



四方手取
(70x70mm)



圓形手取
(76mm)



閃電把手



磨刀把手
有孔



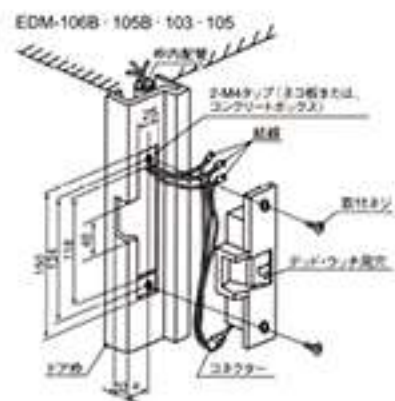
磨刀把手
無孔



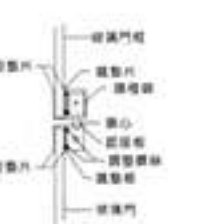
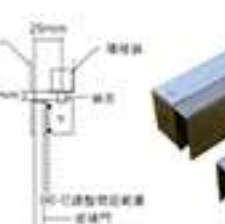
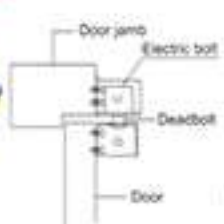
MD-1490A陽極鎖
磁簧感應



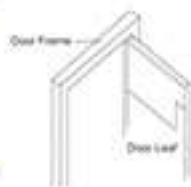
ML-230SLD陽極鎖
滾珠感應



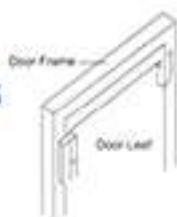
陽極鎖配件



過門通電保護金具
EHS



過門保護線



SHOWA 門鎖

397-05

平頭鎖



376-05

鈎鎖



535-05-2H

取手鎖



325G-05

地鎖



326-05

地鎖



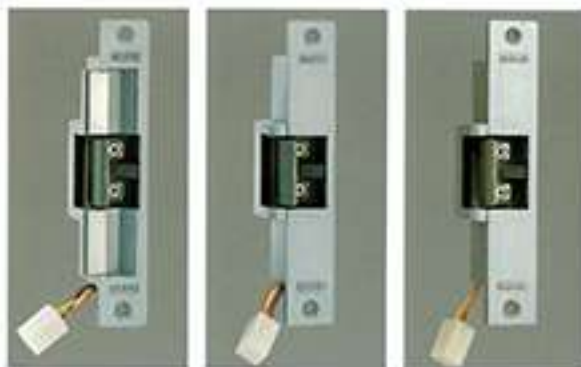
IS-05-2H

拉環通道鎖



EMX

陽極鎖

EDM-106A
EDM-105AEDM-106B
EDM-105BEDM-103
EDM-105

EDM電鎖一般稱為陰極鎖，依功能分，通電時解錠型，非通電時解錠型二種。

- 1.電壓電流：DC24V 60mA・DC12V 120mA。
- 2.通電時間：瞬間通電、連續通電。
- 3.材質：亞鉛合金，鍍色處理。
- 4.耐側壓強度：通電時解錠型 400KG非通電時解錠型250KG
- 5.解錠表示信號：1組

	通電時解錠型	非通電時解錠型	配合機械鎖型
EDM 系列	EDM-106A	EDM-105A	CL-05(26)-SL-122 水平鎖
	EDM-106B	EDM-105B	397-05(26) 輔助鎖
	EDM-103	EDM-105	MWA ADS-1 斜舌 EZST E3062 喇叭鎖

電磁扣系列

DH-501

尺寸：80×80×37mm
100mA/12VDC, 50mA/24VDC
磁力：50kg



DH-502

尺寸：90×69.5×40mm
100mA/12VDC, 50mA/24VDC
磁力：50kg



DH-503

尺寸：80×80×97mm
100mA/12VDC, 50mA/24VDC
磁力：50kg



調整式鐵板



固定式鐵板



DH-504

尺寸：118×93×115mm
100mA/12VDC, 50mA/24VDC
磁力：50kg



DH-505 預埋型

尺寸：120×76.2×30.5mm
100mA/12VDC, 50mA/24VDC
磁力：50kg



陰極鎖系列

SST160 通電開
SST160F 斷電開



鎖尺寸：160×25×30.4mm
不鏽鋼面板：160×25×2mm
12VDC, 24VDC(訂購)

SST125 通電開
SST125F 斷電開



鎖尺寸：165×32×38mm
不鏽鋼面板：165×32×1.5mm
12VDC, 24VDC(訂購)

ML01 (1200磅)

MLSH01 (600磅)



ML02 (1200磅)
MLSH02 (600磅)

防水型 GL600 (600磅)

GL1200 (1200磅)



單扇 (外置式)



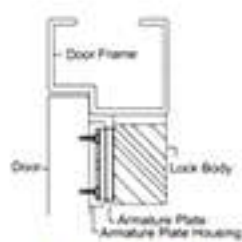
雙扇 (外置式)



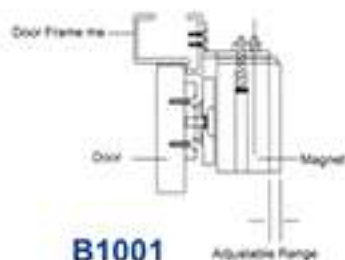
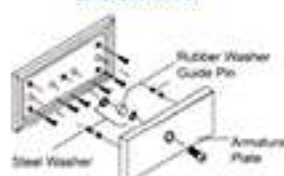
MLM01 (180°)



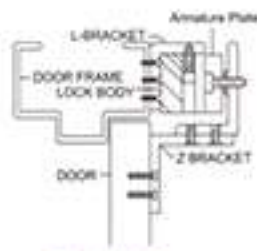
MLS01 (橫拉式)



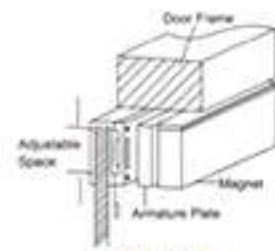
B0001A



B1001



B1002A



U-185



SST124SLD 通電，斷電，可切換



鎖主體尺寸：123.5×31.4×40.7mm
 面板尺寸：165×31×2.0mm
 12VDCM 24VDC(預訂)
 上鎖信號、門位信號(選項)

ST240SLD 通電，斷電，可切換



鎖主體尺寸：240×30×32mm
 不鏽鋼面板：240×30×3.5mm
 12VDC, 24VDC(預定)
 上鎖信號、門位信號(選項)
 配合MIWA ADS-1機械鎖

ST1505P 通電開，斷電閉



鎖主體尺寸：150×39.4×36.5mm
 鈹合金面板：150×28.5×3mm
 12VDC, 24VDC(預訂)

ST245SL 通電，斷電，可切換



鎖主體尺寸：245×25×41mm
 適用於雙向開玻璃門(8~10mm)
 12VDC, 24VDC(預訂)
 上鎖信號

ST1304SLD 通電開



鎖主體尺寸：175×29×26mm
 不鏽鋼面板：175×29×3mm
 12VDC, 24VDC
 上鎖信號、門位信號

SD3310 通電開，斷電閉



鎖主體尺寸：230×38×41.5mm
 鋁面板：230×38×12.7mm
 12VDC, 24VDC

磁力鎖系列

ML-150



ML-300HR

ML-80P



ML-210

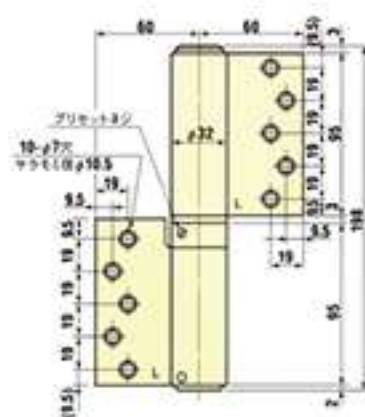
 GL-1200SR(圖)
 GL-1200R

 GL-600SR(圖)
 GL-600R

項目 規格	ML-150	GL-600S	GL-1200S	ML-300HR	ML-80P	ML-210
拉力lbs	1500	600	1200	300	80	
本體尺寸 (mm)	286×73×40	203×44×38.5	220×63.5×41	180×38.6×21.5	70×31×18	82×30×28
鐵板尺寸 (mm)	185×61×16	185×38×12.5	185×61×16	130×32×8	62×32×8	
電壓電流	600mA / 12VDC 300mA / 24VDC	500mA / 12VDC 250mA / 24VDC	500mA / 12VDC 250mA / 24VDC	360mA / 12VDC 180mA / 24VDC	100mA / 12VDC 50 mA / 24VDC	300mA / 12VDC 150mA / 24VDC
用途	推開門	推開門	推開門	推開門	櫃子	抽屜
說明	GL-600R：防水型磁力鎖，正面裝。R表示上鎖信號。 GL-600SR：防水型磁力鎖，側裝(上下裝置)。					

NITTO 自動歸位鉸鏈

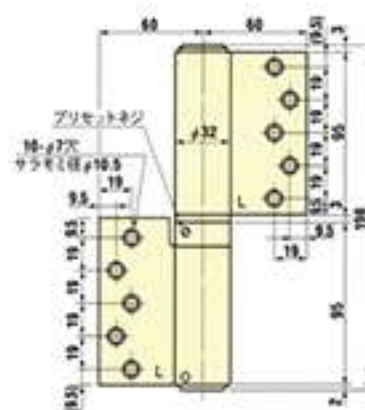
113SL 木門、鋁門



■外形寸法図 左開き用



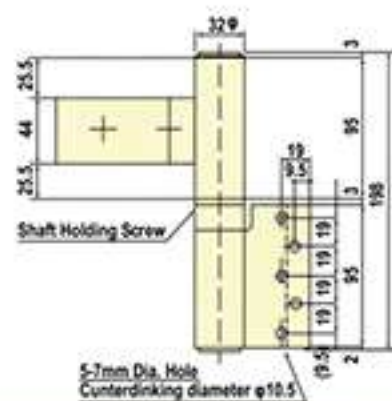
133SL 鋼板門、木門



■外形寸法図 左開き用



NK153SL 玻璃門



■外形寸法図 左開き用



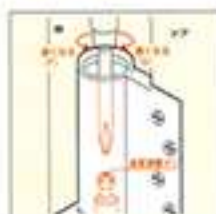
Model Number		Door Size Applicable (mm)			Door Weight (kg)	Stop Mechanism	Location of Stop	Max. Opening Angle	Surface Color
Right Hand Door	Left Hand Door	W	H	D					
113R	113L	900 (Max)	2100 (Max)	30 (Min)	60 (Max)	X	X	180° Left or Right One-side Opening	Silver
113SR	113SL					O	85° & 150°		
Empty Hinge	110R	110L	X			X			
113R(TRI-SET)	113L(TRI-SET)	1000 (Max)	2200 (Max)		80 (Max)	O	85° & 150°		
113SR(TRI-SET)	113SL(TRI-SET)								
133R	133L	900 (Max)	2100 (Max)		60 (Max)	O	85° & 150°		
133SR	133FL								
Empty Hinge	130R	130L	X			X			
133SR(TRI-SET)	133SL(TRI-SET)	1000 (Max)	2100 (Max)		80(Max)	O	85° & 150°		
NK153SR	NK153SL	900 (Max)	8,10,12						

インストールステップ

スプリングヒンジ



ダンパーヒンジ



ドアのはずし方

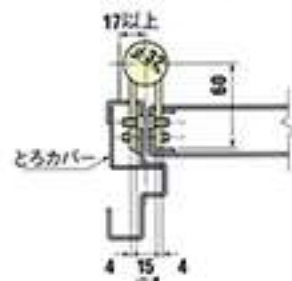


NITTO

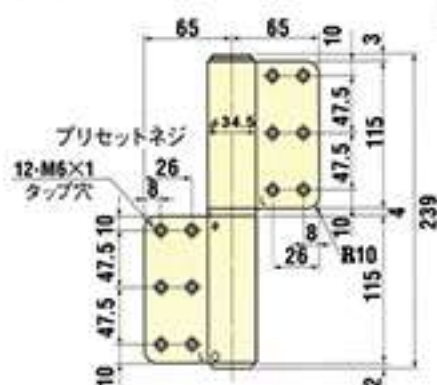
143SL 鋼板門、防火門



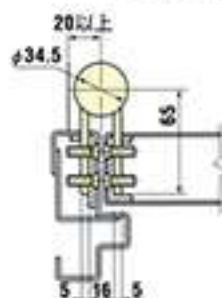
■外形寸法図 左開き用



244SL 鋼板門、防火門



■外形寸法図 左開き用



234SL 鋼板門、防火門

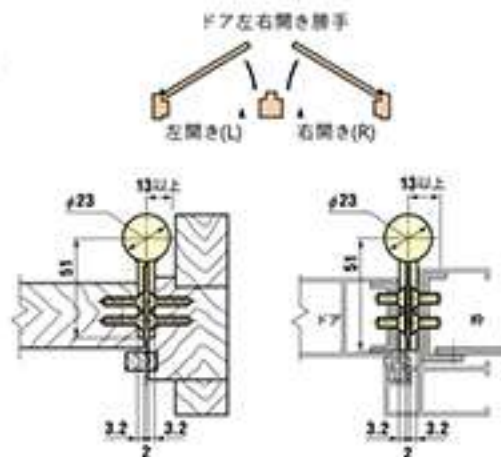
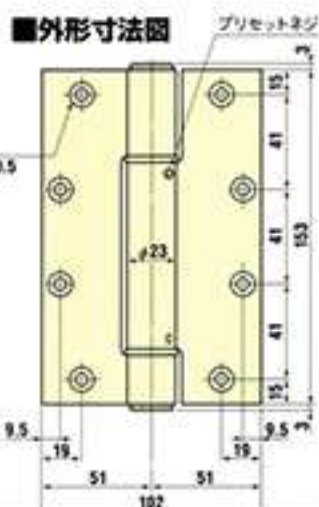


■外形寸法図 左開き用



Model Number		Door Size Applicable(mm)			Door Weight (kg)	Stop Mechanism	Location of Stop	Max. Opening Angle	Surface Color
Right Hand Door	Left Hand Door	W	H	D					
143R	143L	900 (Max)	2100 (Max)	30 (Min)	60 (Max)	X	X	180° Left or Right One-side Opening	Silver
143SR	143SL					O	85° & 150°		
Empty Hinge	140R	140L	X	X					
244R	244L	1200 (Max)	2100 (Max)	40 (Min)	120 (Max)	X	X		
244SR	244SL					O	85° & 150°		
Empty Hinge	240R	240L	X	X					
234R	234L	1200 (Max)	2100 (Max)	40 (Min)	120 (Max)	X	X		
234SR	234SL					O	85° & 150°		
Empty Hinge	230R	230L	X	X					

311S 木門、鋁門

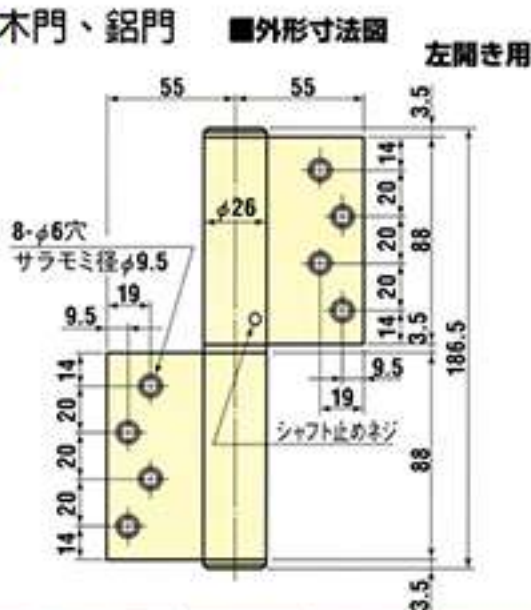


木製ドア取付例

アルミドア取付例

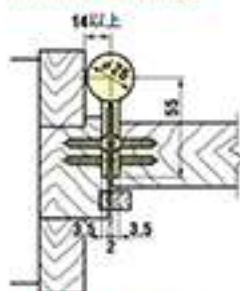
Model Number		Door Size Applicable(mm)			Door Weight (kg)	Stop Mechanism	Location of Stop	Max. Opening Angle	Surface Color
Right Hand Door	Left Hand Door	W	H	D					
311S		800以下	2000以下	30以上	30以下	あり	85°~180°	180°一方開き	シルバー、ブロンズ アイボリー、ゴールド
空丁番	310					なし	なし		

1111F 1211F 木門、鋁門

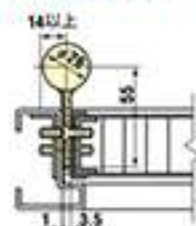


左開き用

1111FL取付例



1211L取付例



Model Number		Door Size Applicable (mm)			Door Weight (kg)	Stop Mechanism	Location of Stop	Max. Opening Angle	Surface Color	
Right Hand Door	Left Hand Door	W	H	D						
1111R	1111L	850 (Max)	2000 (Max)	30 (Min)	35 (Max)	X	X	180° Left or Right One-side Opening	Silver	
1111FR	1111FL					O	85°			
1121R	1121L					X	X		Bronze	
1121FR	1121FL					O	85°			
Empty Hinge	1110R					1110L	X		X	Silver
	1120R					1120L	X		X	
1211R	1211L					X	X		Silver	
1211FR	1211FL					O	85°			
1221R	1221L					X	X		Bronze	
1221FR	1221FL					O	85°			
Empty Hinge	1210R					1210L	X		X	Silver
	1220R					1220L	X		X	

特殊鉸鏈



H60 重量型曲丁番
(單片孔、雙片孔)
250×165×6.0mm
SUS-304. HL



H61 重量型曲丁番
(單片孔、雙片孔)
210×155×6.0mm
SUS-304. HL



H62 重量型曲丁番
(單片孔、雙片孔)
150×108×4.0mm
SUS-304. HL



H63 隱藏式鉸鏈
127×54×3.0mm
127×75×3.0mm
SUS-304.HL



H64 鋼琴鉸鏈(雙邊有孔)SUS-304. HL
H65 鋼琴鉸鏈(雙邊無孔)SUS-304. HL
1尺×32×1.0mm 2.5尺×32×1.0mm
1.5尺×32×1.0mm 3尺×32×1.0mm
2尺×32×1.0mm 4尺×32×1.0mm



H66 氣密式鉸鏈
127×42×3.0mm
SUS-304.HL

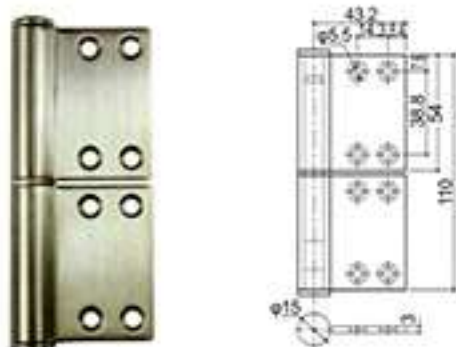


H67 重型旗型鉸鏈
200×145×4.5mm
SUS-304.HL

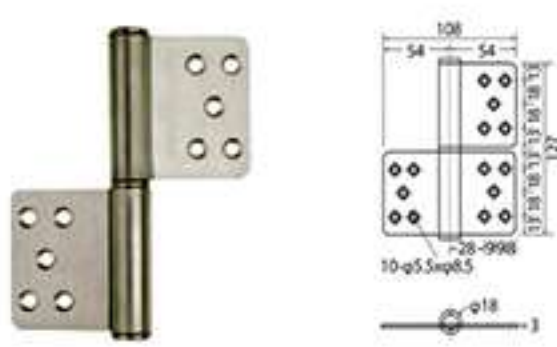


H68 重型旗型鉸鏈
225×155×5.0mm
SUS-304.HL

204 4"旗型鉸鍊

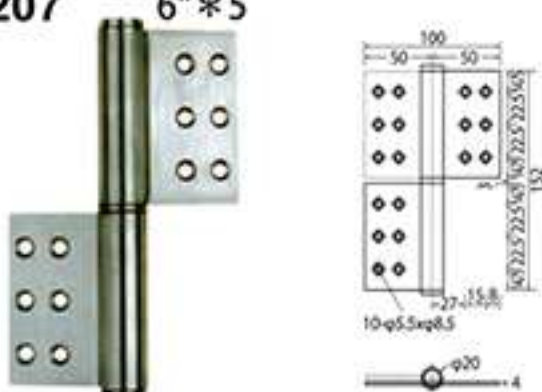


205 5"旗型鉸鍊 (鐵心T/白鐵心S)

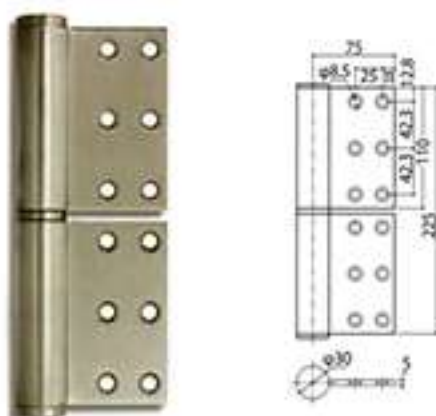


206 6" * 4"旗型鉸鍊 (鐵心T/白鐵心S)

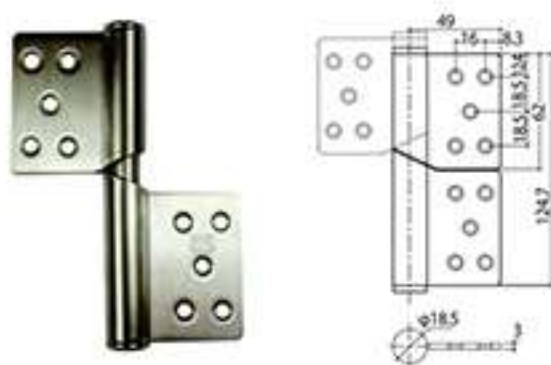
207 6" * 5"



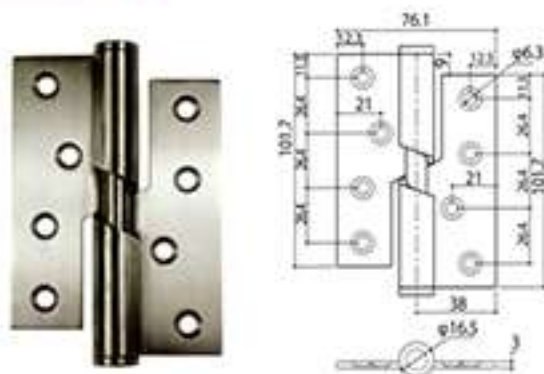
208 8"旗型鉸鍊



453 5"x3.0自動回歸鉸鍊



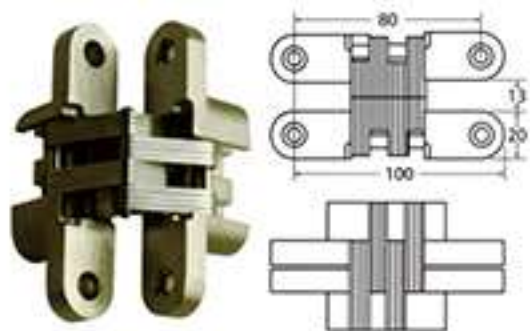
433 4"x3"x3.0自動回歸鉸鍊



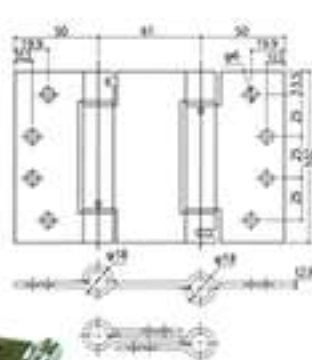
825 隱藏式暗鉸鍊

495 雙彈簧鉸鍊

496 單彈簧鉸鍊



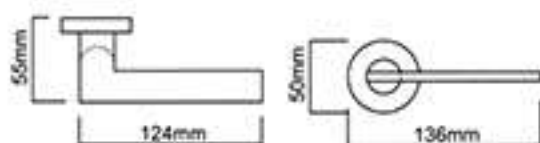
- * 823 4.5 公分
- * 824 10 公分
- * 824 7 公分
- * 825 14 公分



把手系列

900 木門水平鎖介紹

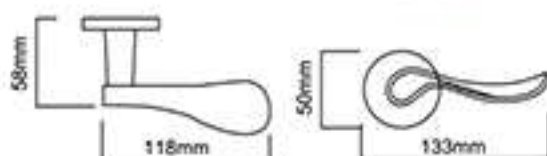
把手材質：鋅合金（銅）、不銹鋼
門距：51 m/m、60 m/m 兩種規格
門厚：28 m/m - 42 m/m
（如門厚度不在規格內為訂製品）
顏色：SN(沙白)、SC(霧白)、DBK(黑色)
型號介紹：-1 房間鎖 -2 浴廁鎖



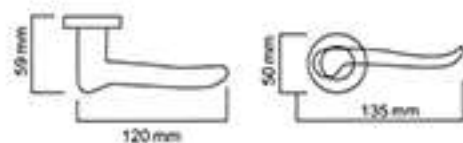
901-N



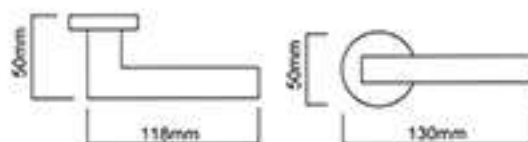
902-N



903-N



904-N



906-N

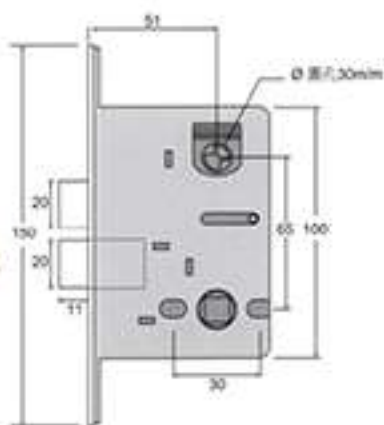


608

不銹鋼連動鎖



當發生緊急狀況時，
把手一壓馬上可開門外出，
為安全級連動門鎖，
已取得中央標準局新型專利，
號碼第M 242550 號



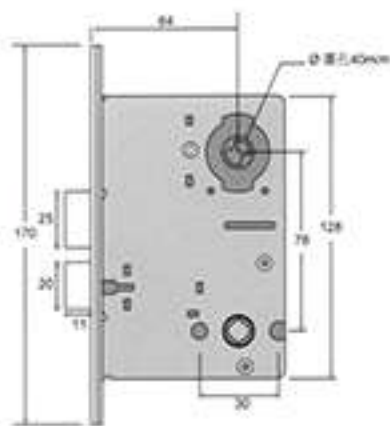
608 鎖匣尺寸圖



609 不銹鋼連體鎖



747 不銹鋼連體鎖



747 鎖匣尺寸圖



737 純銅連體鎖

通風門鎖

窄框

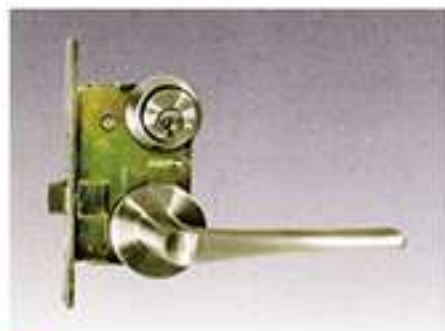


LHS-100



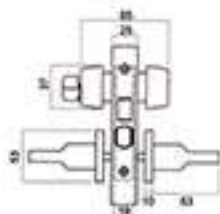
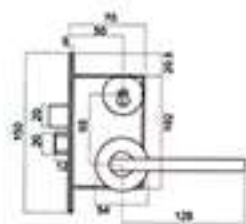
LS-200通風門鎖

裝置距離：30mm
表面處理：不銹鋼毛絲面
功能：可做6珠系統鎖王



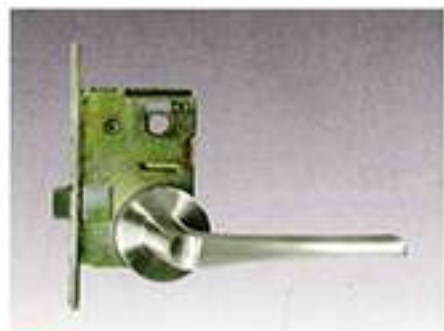
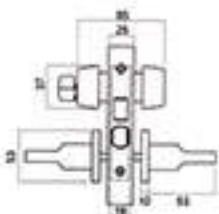
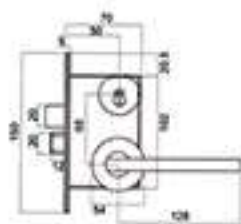
LS-608-C1 房間鎖

裝置距離：50m/m
表面處理：不銹鋼毛絲面
功能：可做系統6珠鎖王



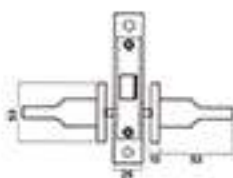
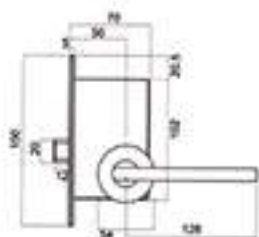
LS-608-C1-1 浴廁鎖

裝置距離：50m/m
表面處理：不銹鋼毛絲面
功能：可做系統6珠鎖王



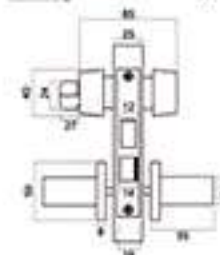
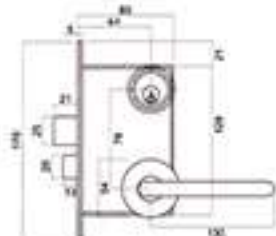
LS-608-C1-2 通道鎖

裝置距離：50m/m
表面處理：不銹鋼毛絲面
功能：可做系統6珠鎖王



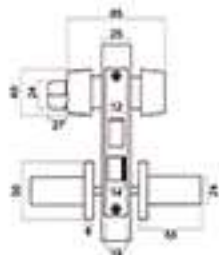
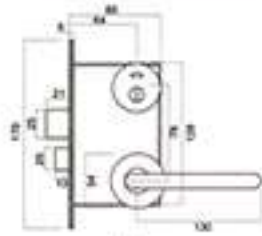
LS-717-C2 房間鎖

裝置距離：50m/m、64m/m
表面處理：不銹鋼毛絲面
功能：可做系統6珠鎖王



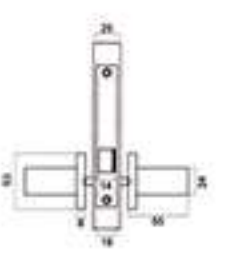
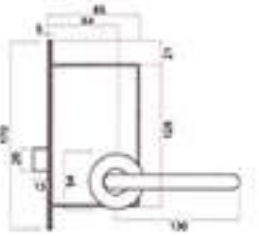
LS-717-C2-1 浴廁鎖

裝置距離：50m/m、64m/m
表面處理：不銹鋼毛絲面
功能：可做系統6珠鎖王



LS-717-C2-2 通道鎖

裝置距離：50m/m、64m/m
表面處理：不銹鋼毛絲面
功能：可做系統6珠鎖王



專利產品 · 仿冒必究



LS-500-N 專利號碼 M146571



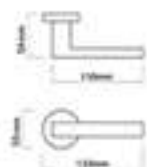
LS-510-N



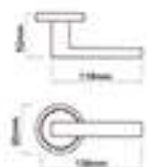
LS-510-1-N



LS-600-N



LS-610-N



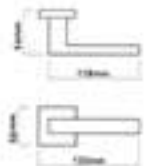
LS-600-1-N



LS-610-1-N



LS-600-2-N



LS-610-2-N



右邊

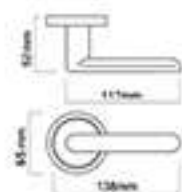
左邊



LS-700-N



LS-710-N



LS-700-1-N



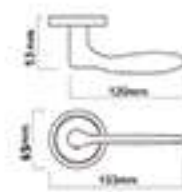
LS-710-1-N



LS-800-N



LS-810-N



LS-800-1-N



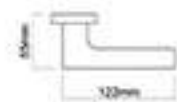
LS-810-1-N

專利產品 · 仿冒必究



LS-750-N

專利號碼 M146573

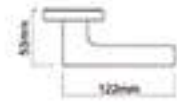


LS-760-N



LS-750-1-N

專利號碼 M146573

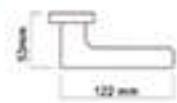


LS-760-1-N



LS-750-2-N

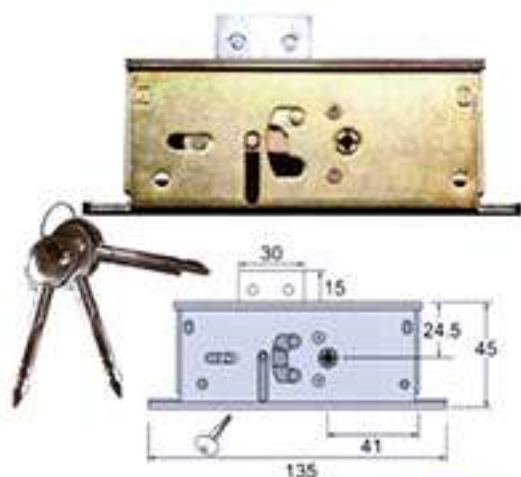
專利號碼 M146572



LS-760-2-N



不銹鋼自動門地鎖系列



專利號碼 M430513 307



不銹鋼地鎖系列



308



309



310



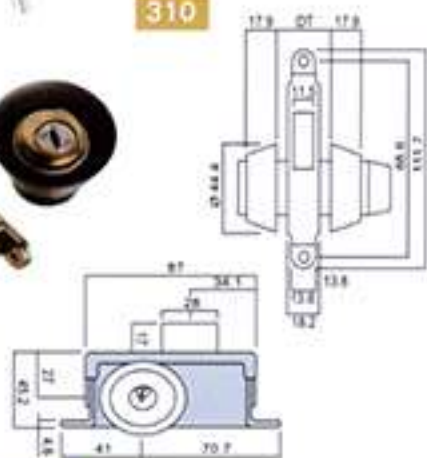
308 地鎖分解圖



309 地鎖分解圖



310 地鎖分解圖



不銹鋼平頭鎖系列



330、340、350



329、338、351、364

不銹鋼斜舌系列



350-1



738

特點介紹及規格標示圖

1. 門距：51 m/m
2. 適用門厚：28 m/m- 42 m/m
3. 顏色：SN(沙白) · DBK(黑色) · SC(霧白色)
4. 調整式封口



LS-108-N 房間鈎鎖



LS-108-1-SC 浴廁鈎鎖



LS-108-DBK 房間鈎鎖



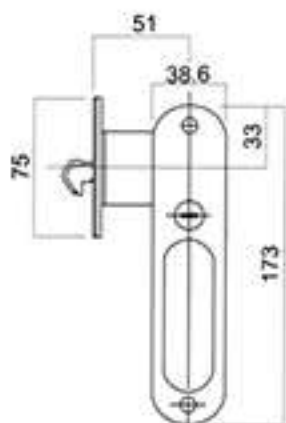
LS-109-N 房間鈎鎖



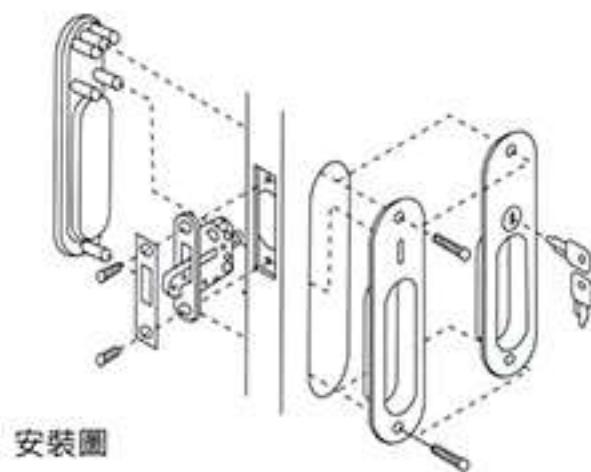
LS-109-1-SC 浴廁鈎鎖



LS-109-DBK 房間鈎鎖



尺寸圖



安裝圖



松田1651白鐵水平鎖



松田1751白鐵水平鎖



松田1851白鐵水平鎖



松田三段不反鎖
(外面水平把手)



179古銅水平鎖



176電銅水平鎖



176電毛絲水平鎖



198電毛絲水平鎖(木門用)



145電白水平鎖



145電金水平鎖



松田820電毛絲水平鎖



松田820電銅水平鎖



葫蘆鎖心(雙)



葫蘆鎖心(單)



四段暗鎖(台)



松田電銅補助鎖



松田補助鎖



松田ST斜舌半邊鎖



松田電銅斜舌半邊鎖



拉手式半邊鎖



松田ST半邊鎖



松田電銅半邊鎖

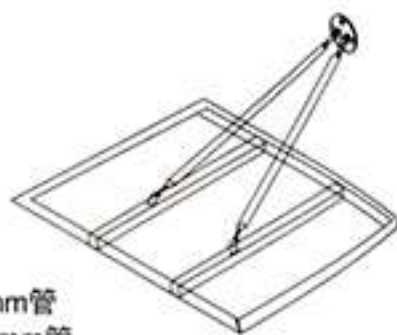
雨棚拉桿



※固定板採一體成型



尺寸:
 1、1 1/4" 自備1.5mm管
 2、1 1/2" 自備1.5mm管
 3、2" 自備1.5mm管

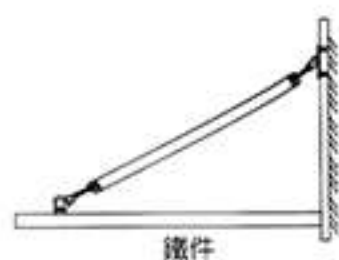


雙桿鋼架用

單桿鋼架用

雙桿玻璃用

單桿玻璃用



鐵件



玻璃



STN-8300E1



大型鋼構用拉桿頭

75x95x21孔



60x80x15mm厚

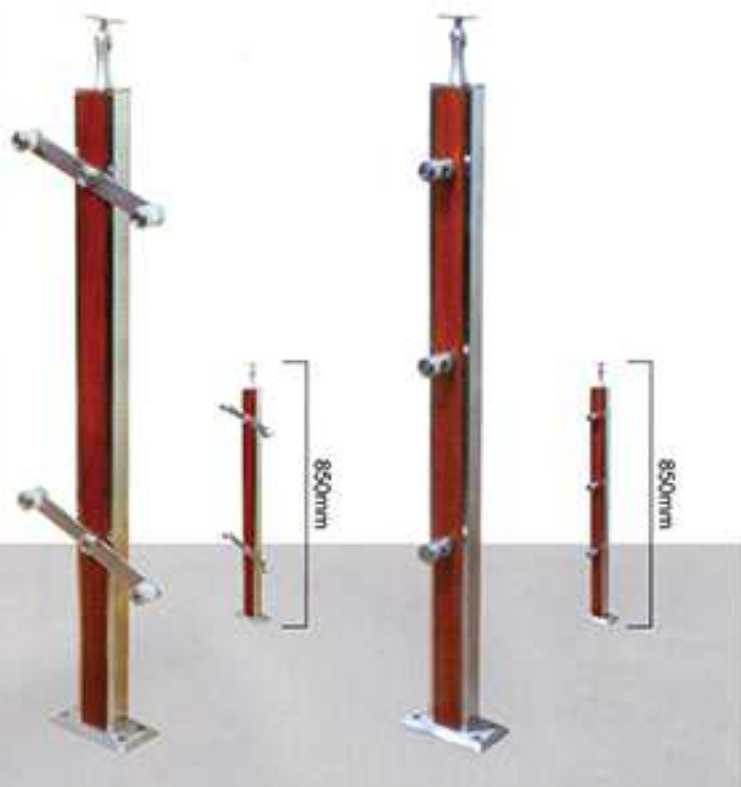


可配:
 1、鉸管外徑76.6x4.5
 2、鉸管外徑60.8x4.1



JIA STN-805A

JIA STN-805C



JIA STN-011

JIA STN-034

JIA STN-046



JIA STN-804A



JIA STN-804B



JIA STN-804C



JIA STN-092

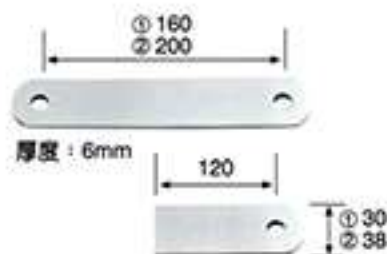


JIA STN-094



JIA STN-137





8025不銹鋼片
 6mmx30mmx160
 6mmx30mmx200
 6mmx30mmx120單孔
 6mmx38mmx160
 6mmx38mmx200
 6mmx38mmx120單孔

8025鋼片玻璃固定座(實心)



1019

1020

1021

1035

1040

1041

8031(空心)

8031



8035大型廣告螺絲



8036頭空心扶手柱用



8037頭實心扶手柱用



8038廣告螺絲頭
 1.實心 2.空心
 (規格: $\phi 25/\phi 30$)



8039扶手管座



8001

8003

8004

8005

8007

8008



8009

8010

8026

8027

8028

8010

8029(中心)



8041

孔距175mm
8042

孔距80mm
8043

孔距160mm
8044

8045

#304實心/空心厚管廣告螺絲不銹鋼

25x25	30x25
25x30	30x30
25x40	30x40
25x50	30x50
25x60	30x70
25x70	30x100
25x80	
25x100	

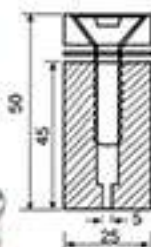
#201實心 M10螺絲廣告螺絲不銹鋼

18x25	25x25	30x25
18x30	25x30	30x30
18x40	25x40	30x40
18x50	25x50	30x50
18x60	25x60	30x60
18x70	25x70	30x70
18x80	25x80	30x80
18x100	25x100	30x100

新型廣告螺絲不銹鋼 #304



規格
 25x25 25x60
 25x30 25x70
 25x40 25x80
 25x50 25x100



可配實心



M8螺絲



JIA STN-813C



JIA STN-813D



JIA STN-813A



JIA STN-813B





按裝實體圖



二爪圖



一爪圖



HE-S-112 爪具200# 球螺栓57 \varnothing



HE-S-113 爪具120# 球螺栓 平頭



HE-S-114 爪具120# 球螺栓 沙拉頭



HE-S-001 200#爪具 立柱



JIA - 60



60 \varnothing

JIA - 38



38 \varnothing

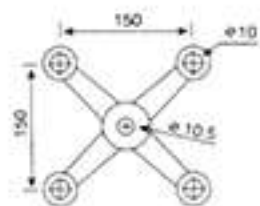
JIA-40



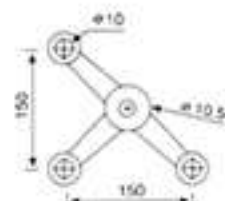
40 \varnothing

150爪件

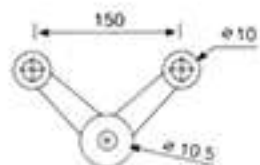
JIA # 1501



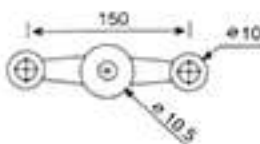
JIA # 1502



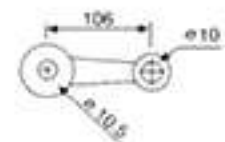
JIA # 1503-90°



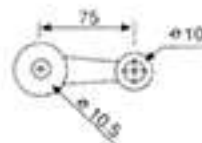
JIA # 1504-180°



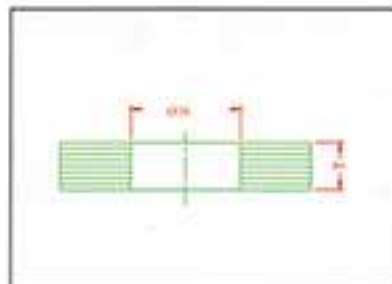
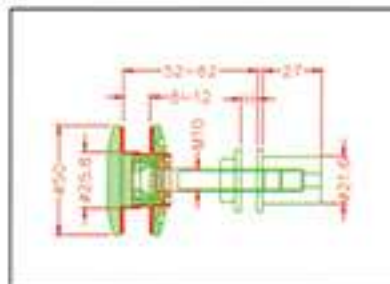
JIA # 1505-90°長



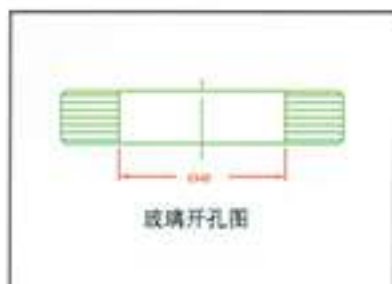
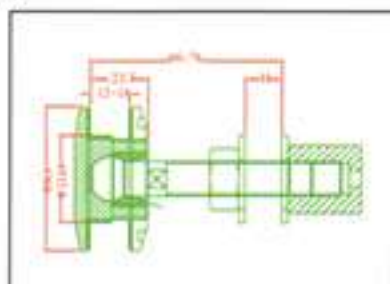
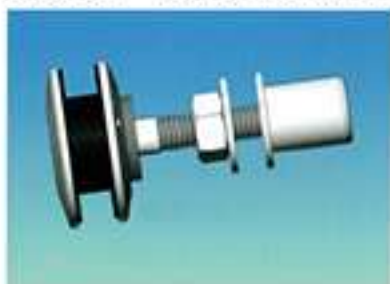
JIA # 1506-180°短



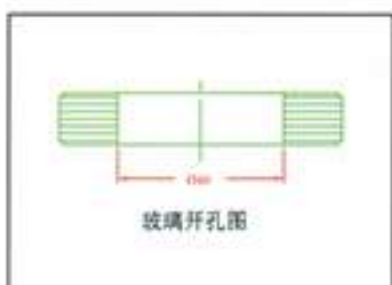
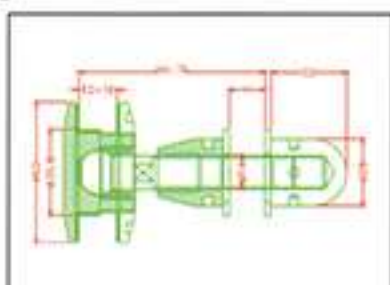
2993-3A 活動式平頭 Swivel Cap Head



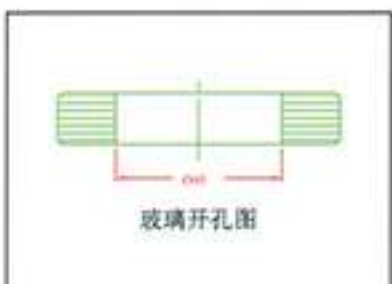
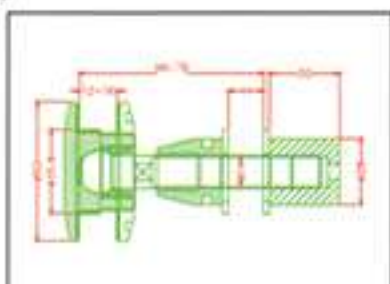
2993-13A 活動式平頭 Swivel Cap Head



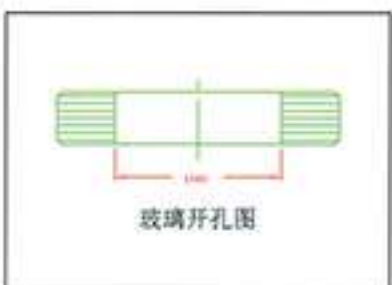
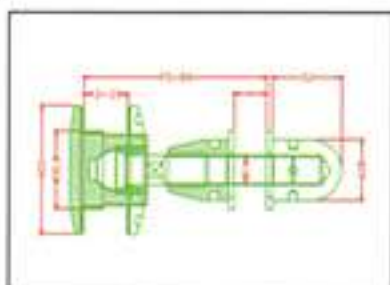
2993-12 活動式平頭 Swivel Cap Head



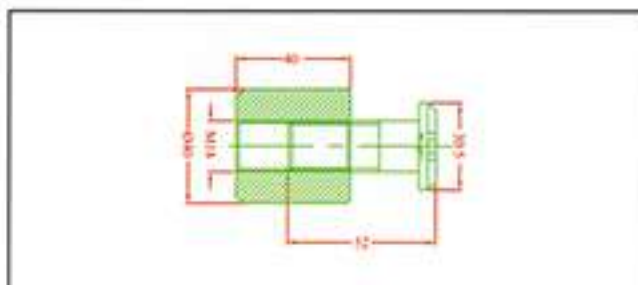
2993-13 活動式平頭 Swivel Cap Head



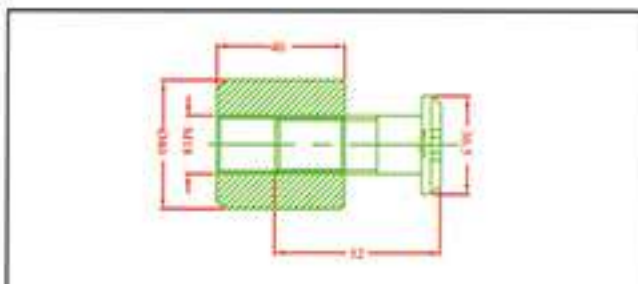
2993-22 活動式平頭 Swivel Cap Head



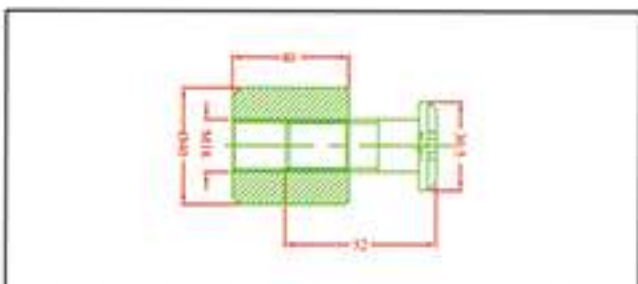
2997-23 螺母材質 SUS316 駁接頭轉接件 Spider Coupler



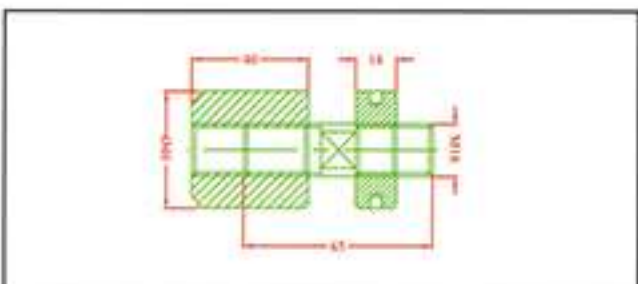
2997-23A 螺母材質 SUS304 駁接頭轉接件 Spider Coupler



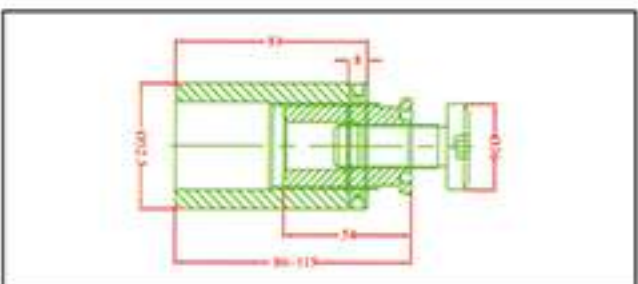
2997-23B 螺母材質 炭鋼 駁接頭轉接件 Spider Coupler



2997-33 材質 SUS316 駁接頭轉接件 Spider Coupler



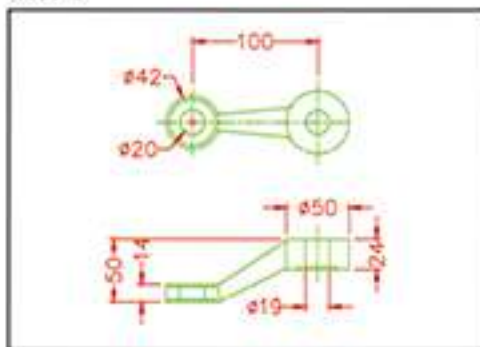
2997-41 材質 SUS316 駁接頭轉接件 Spider Coupler



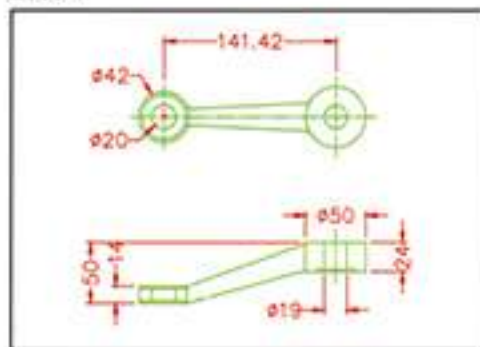
2003-4



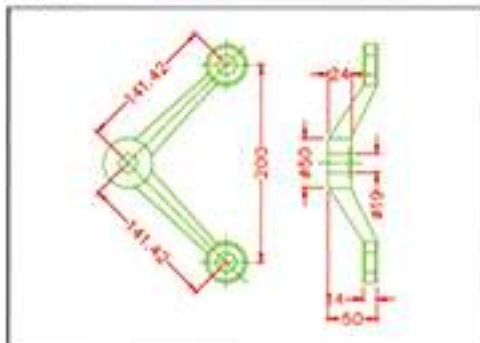
2003-0



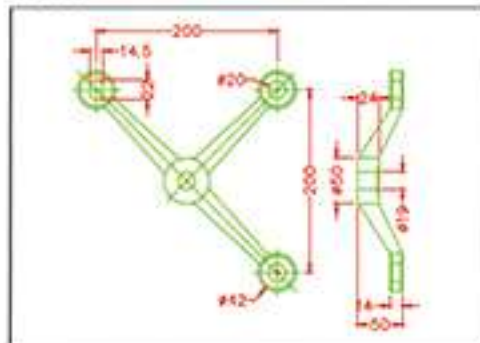
2003-1



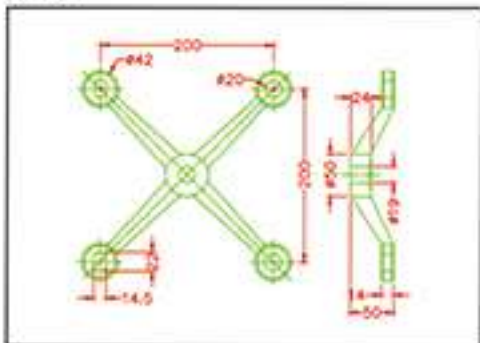
2003-2



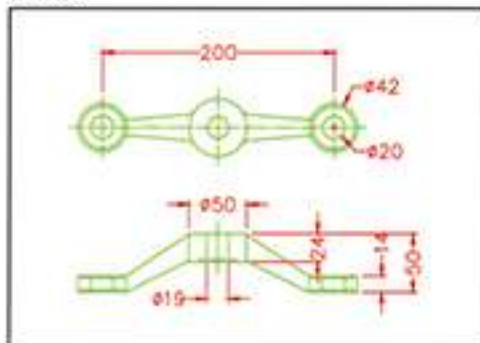
2003-3



2003-4



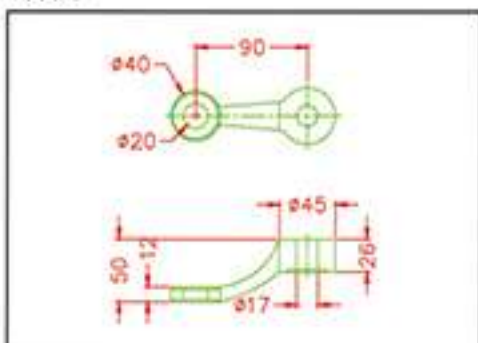
2003-5



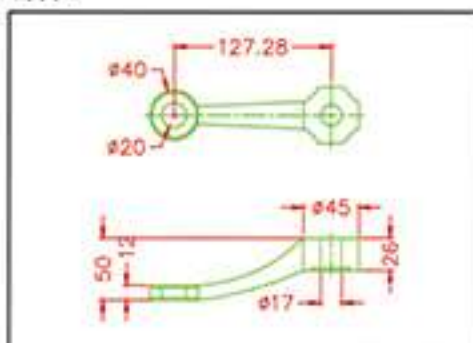
1806-4



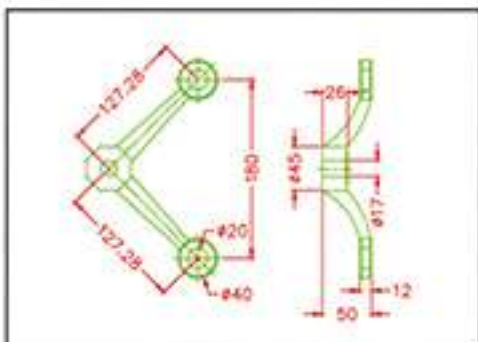
1806-0



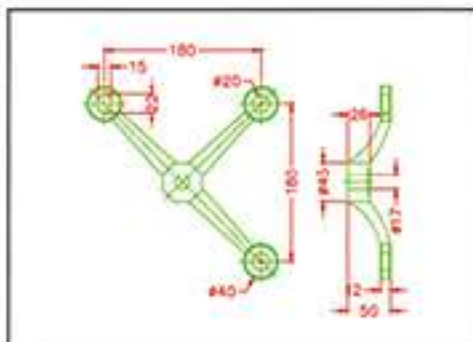
1806-1



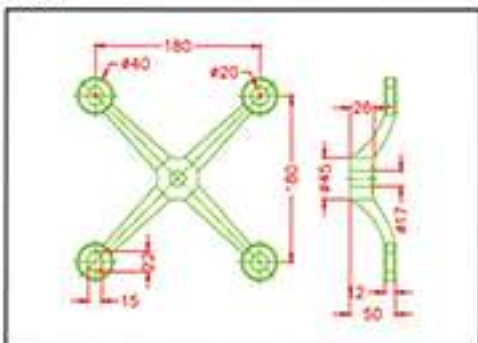
1806-2



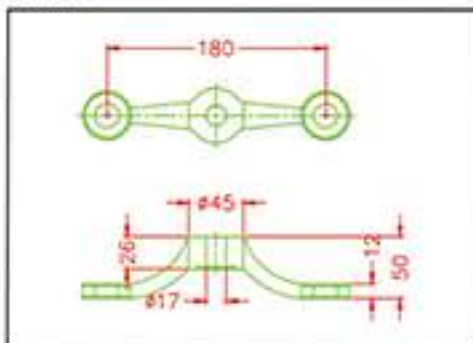
1806-3

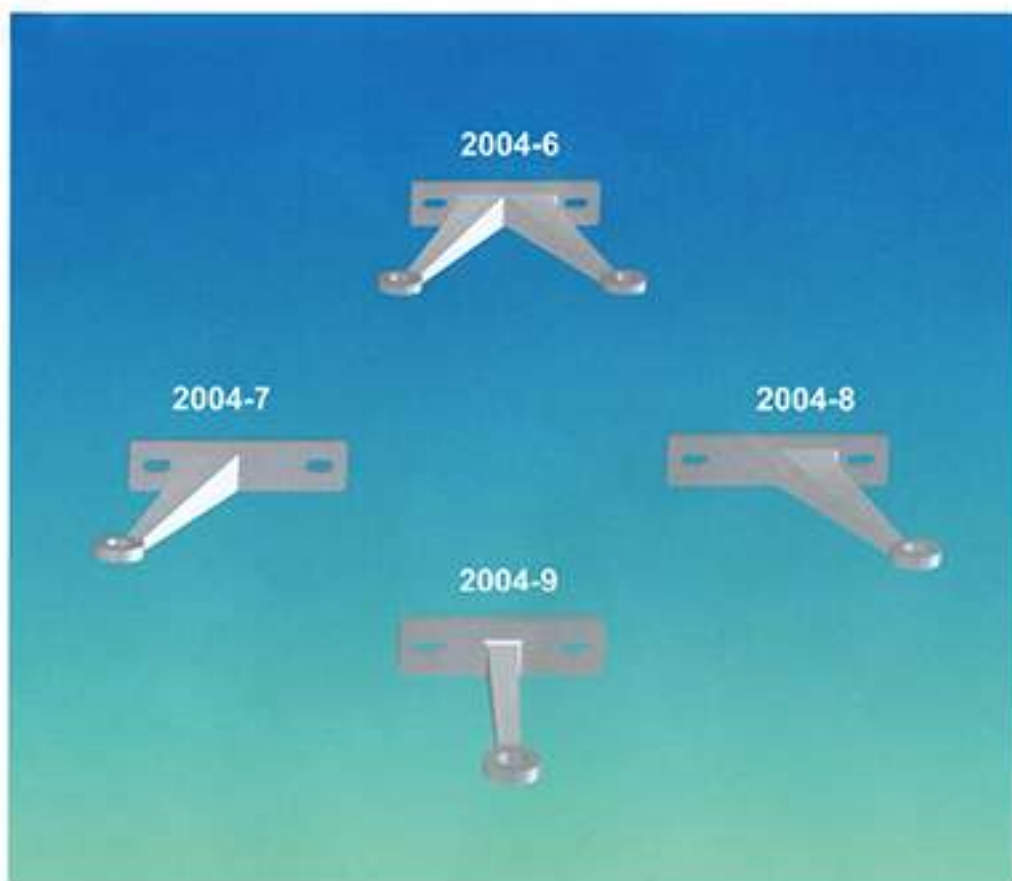


1806-4

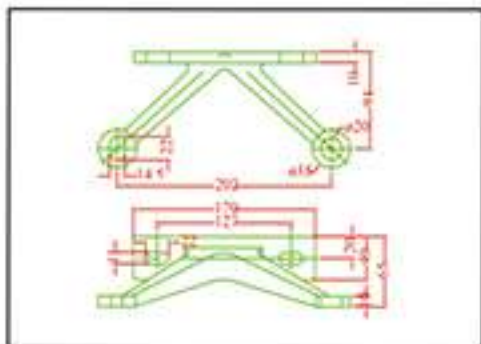


1806-5

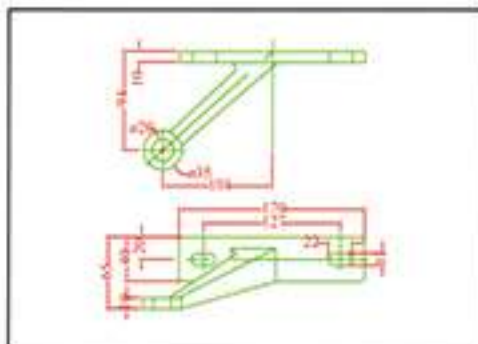




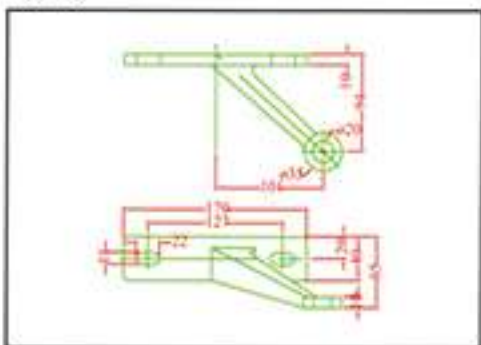
2004-6



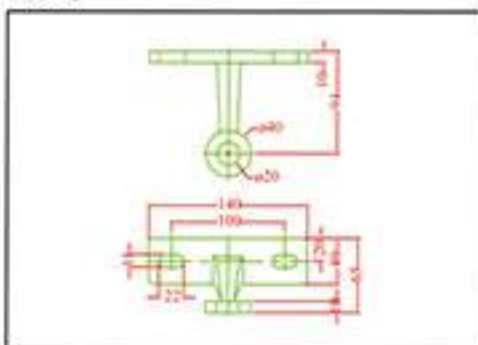
2004-7



2004-8



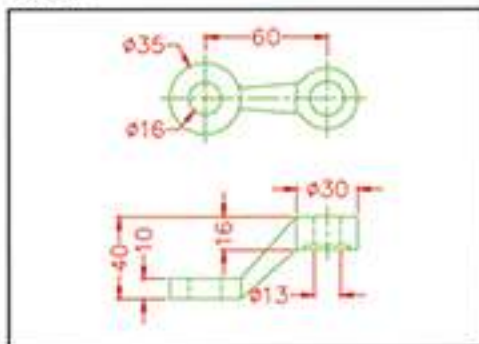
2004-9



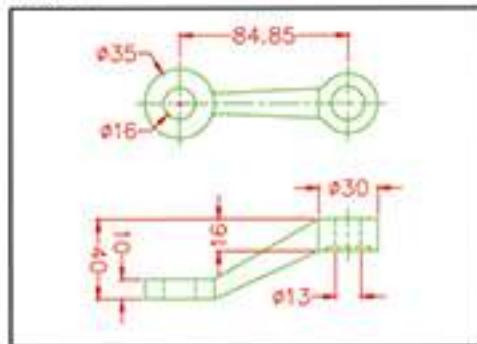
1204-4



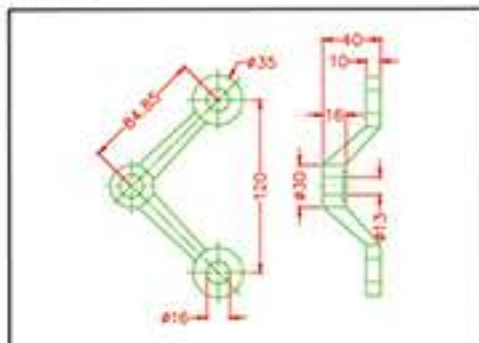
1204-0



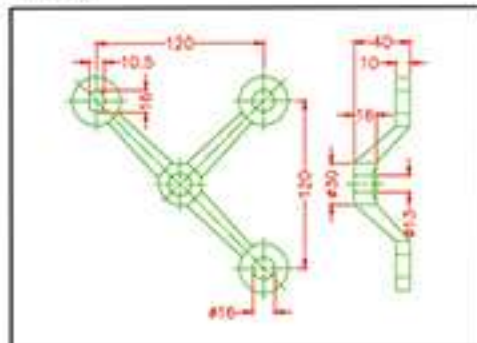
1204-1



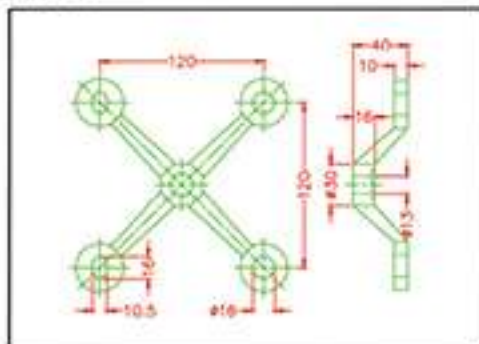
1204-2



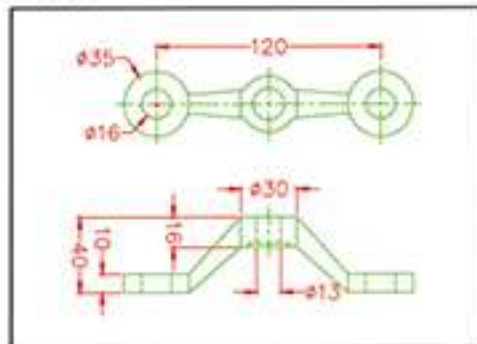
1204-3



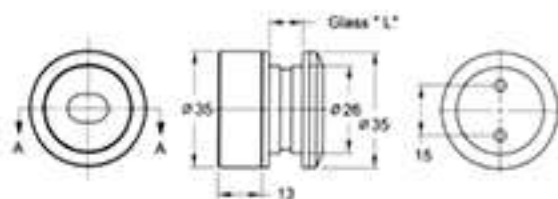
1204-4



1204-5



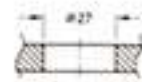
JIA SF13812F



Item	Glass "L"
A	10mm-12mm
B	8mm-10mm
C	6mm-8mm

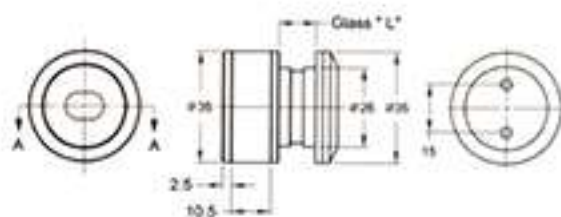


SECTION A-A



Glass CUT OUT

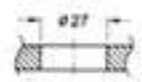
JIA SF13812AF



Item	Glass "L"
A	10mm-12mm
B	8mm-10mm
C	6mm-8mm

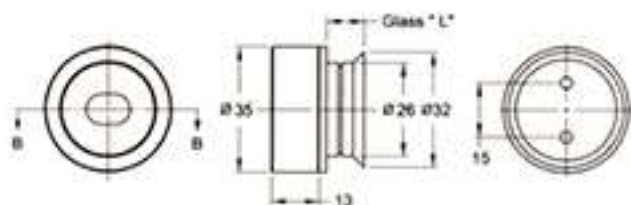


SECTION A-A



Glass CUT OUT

JIA SF13812C



Item	Glass "L"
A	10mm-12mm
B	8mm-10mm
C	6mm-8mm

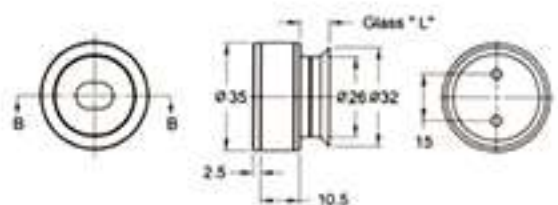


SECTION B-B



Glass CUT OUT

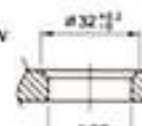
JIA SF 13812AC



Item	Glass "L"
A	10mm-12mm
B	8mm-10mm
C	6mm-8mm

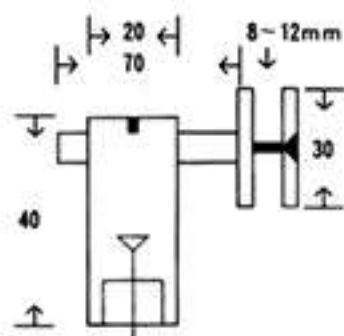


SECTION B-B

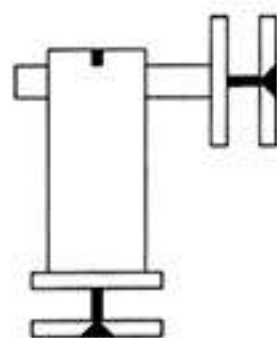


Glass CUT OUT

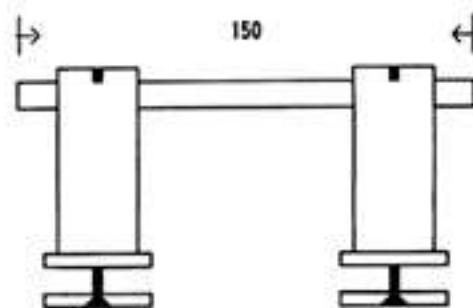
JIA - 107



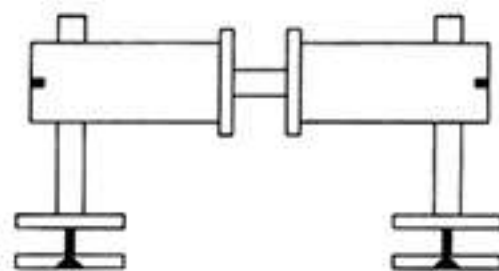
JIA - 108



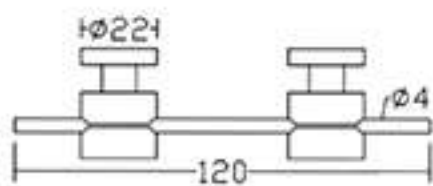
JIA - 109



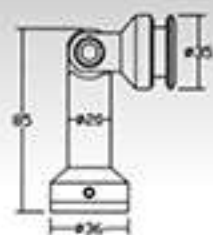
JIA - 110



JIA - 234



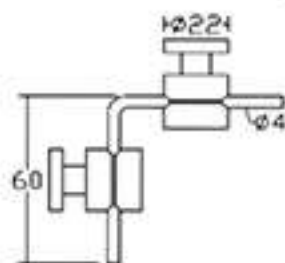
JIA - 2-39



JIA - 2-40



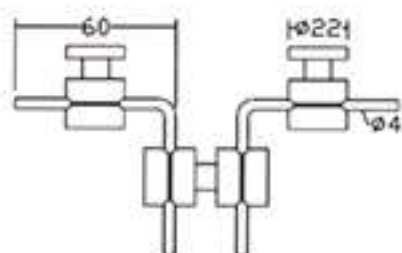
JIA - 235



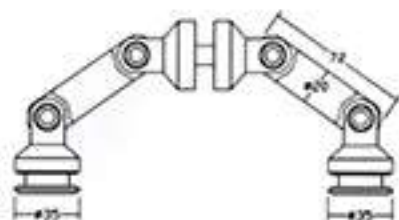
JIA - 2-41



JIA - 236



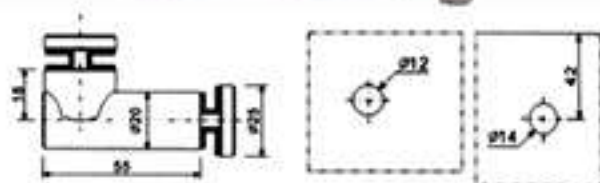
JIA - 2-42



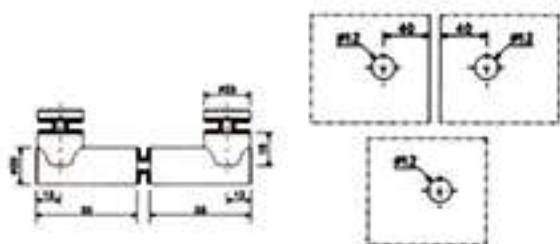
JIA - 101



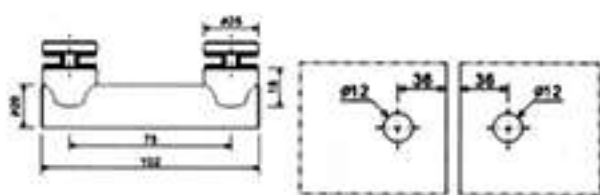
JIA - 102



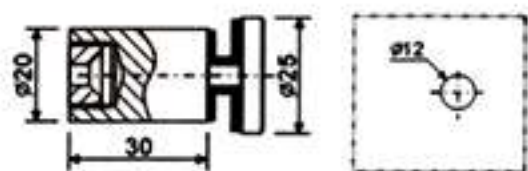
JIA - 103



JIA - 104



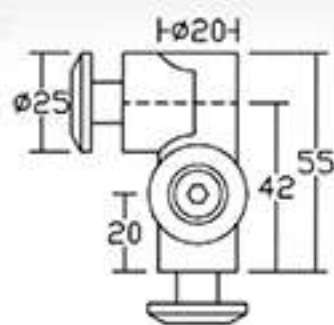
JIA - 105



UNIT : mm

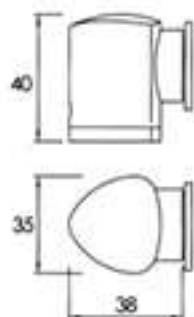


JIA - 106





959.01



JA01

∅	16	-
∅ ₁	50	100
Color	AL	



JA03

∅	18	-
∅ ₁	40	100
Color	AL	



JA04

∅	20	-
∅ ₁	38	-
Color	AL	



959.02



959.03

材質：鋅合金
Material: Zinc alloy
959-----



JA05

∅	16	-	-
∅ ₁	90	120	150
Color	BNI ORB		



JZ11

∅	3"	4"
Color	BNI ORB PC	



JZ01

∅	45
Color	BSN ORB PC SC



CDG-1004



CDG-1007



DG-1003



DG-1008



JB02 (扁圓)

∅ x ∅ ₁	22x57
Color	BSN



JB03 (扁圓)

∅ x ∅ ₁	28x45
Color	BSN



JB04

∅ x ∅ ₁	28x45
Color	BSN



DS-115



DS-091

Material: Zinc alloy
Finishes: F13, F21, F22, F31, F32



DS-092

Material: Zinc alloy
Finishes: F13, F21, F22, F31, F32



JZ02 (扁圓)

∅ ₁	38x39
Color	BNI SC



JZ03

∅ ₁	38x39
Color	BNI SC



JZ04 (扁圓)

∅ x ∅ ₁	13x42
Color	BNI ORB

B-004


 304ST軸承(短)
27m/m-42m/m

B-005


 304ST軸承(長)
42m/m-56m/m

B-006


 304ST軸承(加長)
56m/m-72m/m

JIA-Ø20一點掛(20/30/50/70/100/150)

長度可訂製



JIA- 30一點掛(20/30/50/70/100/150) Ø

長度可訂製



JIA- 鏡珠(12/15/20/30)另有圓頭



鋁/白鐵

JIA- HD冰棒



JIA- ID冰棒



JIA- ED冰棒



JIA- 鏡夾

JIA- 白鐵鏡勾

JIA- 塑膠鏡勾



T-37

T-39



T-40



T-42



廚櫃鉸鏈 玻-牆

T-43



音響鉸鏈 8m/m

T-45



廚櫃鉸鏈 玻-玻



廚櫃鉸鏈 玻-牆

T-46



廚櫃鉸鏈 玻-牆 免挖孔

T-336 玻-牆



廚櫃鉸鏈 玻-玻

T-336 玻-玻



廚櫃鉸鏈 玻-玻 免挖孔

TF-336



鋼索五金

鋼索五金零配件

JIA-013



JIA-015



JIA-016



JIA-017



JIA-024



JIA-025



鋼索五金零配件

JIA-026



JIA-027.1



JIA-027



JIA-019



JIA-020Q



JIA-021Q



JIA-201



鋼索五金零配件

JIA-022Q



JIA-023



JIA-030



JIA-031



JIA-032



JIA-033



JIA-034



JIA-341



JIA-342



JBG-020.0300



JBG-020.0301



JBG020.0303



TSC-0185-F135*



JB-231



JB-232



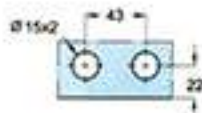
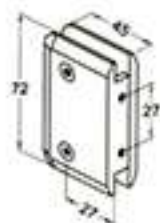
JB-233



TSC-0185R135*



GC502B







JB-6-9



JB-6-5



JB-6-8



BJ-6-10



BJ-6-11



JB-6-19



JB 9006A



JB 9006D



JB 9008A



JB 9008C



JB 9008B



JB 9006B



JB 9006C



一字型



L型



五角型



圓弧型





JB-5-85



JB-5-86

B023
圓柱吧台腳



B024
斜柱吧台腳



JB-5-35 轉盤



TSC-019S門檔



TSC-020S門檔



E-11



E-12



JB-450



2210 櫥櫃玻璃鎖



JB-407



JB-420



JB-408



JB-417



JB-4-45 和紙



JB-5-60 AB膠



JB-5-60-1 UV膠



JB-5-60-2 UV膠



瞬間膠專用
加速劑



JB-4-44 雙面膠



JB-5-71



JB-1



JB-2



E-13大



E-14中



E-15小



JB-5-73



JB-5-74



E-16



E-17



E-18



E-19



E-20



JB-3



JB-4-1



JB-6



JB-7



JB-5



JB-5-70



JB-5-72



HE-07



HE-08



HE-09



HE-10



HE-11



HE-12



HE-01



HE-02



HE-03



HE-04



HE-05



HE-06

MD 無框式連桿

MD 4002 - 扁管系列



MD 4003 - 方管系列



MD 4004



L型x1

MD 4005



T型x1

D 4004 - 嵌入桿系列



MD416



MD417



MD418



MD419



MD420



MD421



MD422



MD423



MD424



MD 488



MD425



MD426



MD427




MD428



MD429



M001-1012	M022-0810	E015-0608	G005-0810	B008-0800
M009-0608	M023-0800	E017-0810	G006-0810	B012-0810
M012-0800	M024-0810	G001CW-1012	G006W-0810	B0130810
M016-1800	M025-1000	G002-1012	G008-0608	B016-0510
M017-0810	M026-0800	G002W-1012	G009-0810	B017-1020
M018-0810	M027-1000	G003-0608	B001-0800	R001-1000
M019-0810	E011-0608	G004-0608	B005-0810	R004-0800
M020-0810	E013-0810	G004W-0608	B007-0608	R005-1200
M021-0810	 <p>MSB-01系列 90°&180°磁性黑色止水條</p>			

MSB-16系列黑色下擋水-止水條

MSB-05系列半圓形黑色止水條



JIA - 601 雙軌滑門



一字形

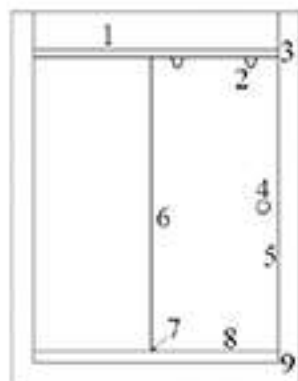


可選配

JIA - 602 二代滑門



淋浴拉門 一字型划軌門 HF 300



1. 鋁合金軌道 AL-318



2. 滑輪組 HF-300SET



3. 側槽補強座 HF-309



4. 一字鑄造把手 HT-501



5. 半圓條 H04.593

淋浴拉門 L型划軌門



6. F條 H04.589



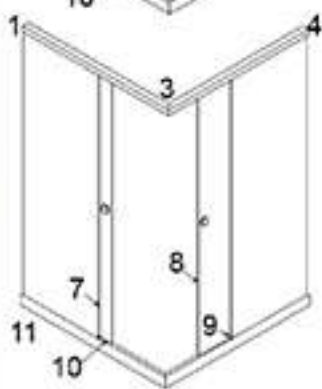
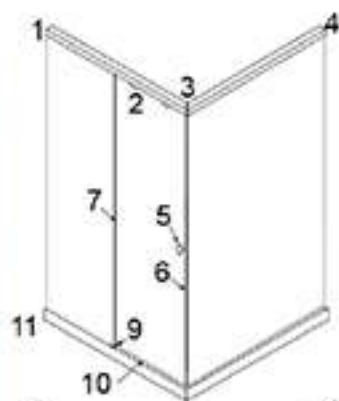
7. 玻璃山形地導



8. 下檔止水條 HP-0805

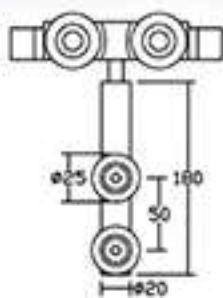


9. 人造石門檻

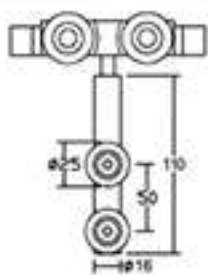




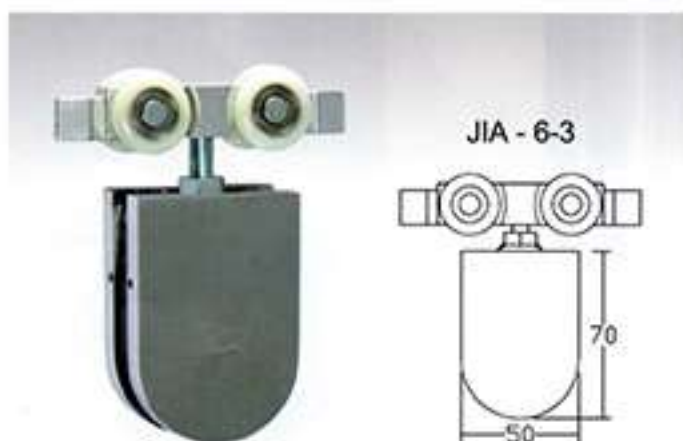
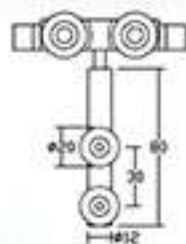
JIA - 6-2 (大)



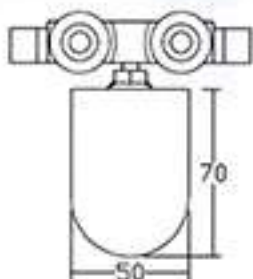
JIA - 6-0 (中)



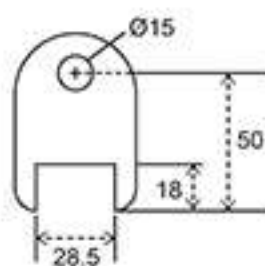
JIA - 6-1 (小)



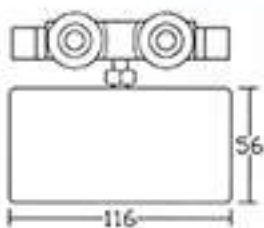
JIA - 6-3



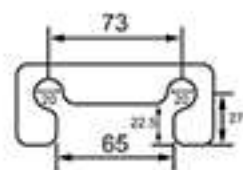
JB-6-3 玻璃吊輪組



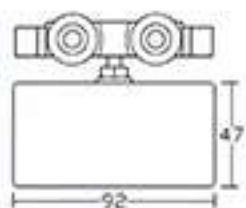
JIA - 6-7 (大)



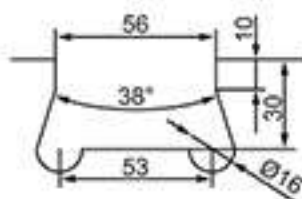
6-7 GCC吊具(大)



JIA - 6-8 (小)



JB-6-8



LINEA LIGHT 1 SYSTEM = 3 SOLUTIONS // LÖSUNGEN

KL® megla

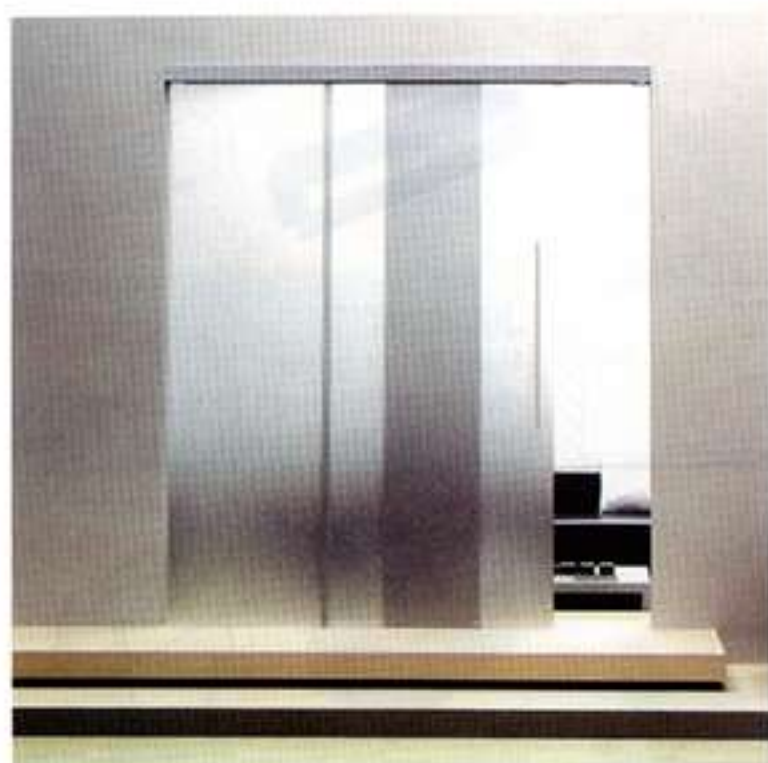
Germany



LINEA LIGHT

>> Shower Door System

>> Duschtür System



隱藏式滑門

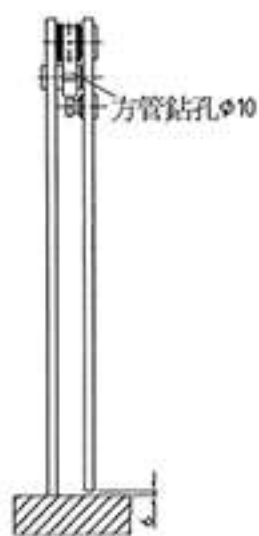
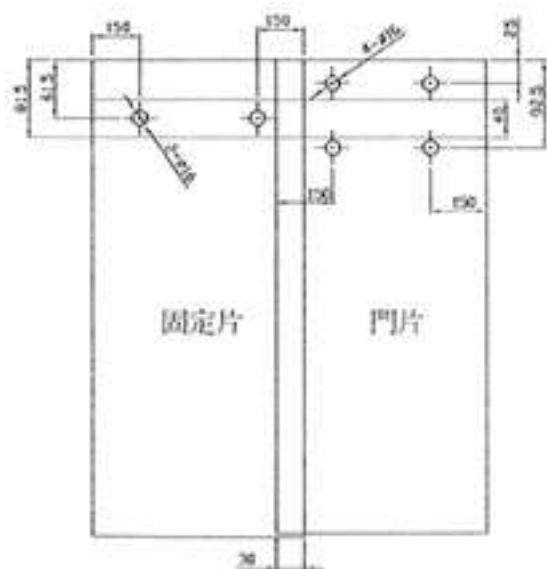
JIA - SK500

Sliding Door

材質Material：鋁Aluminium

最大載重Max Weight：100kg

JIA - 601 扁管滑門組



橫拉門配件



A - 600-1



A - 600-2



A - 600-3



A - 600-4



A - 600-5

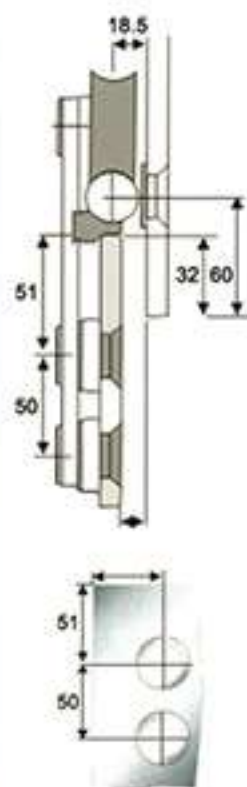
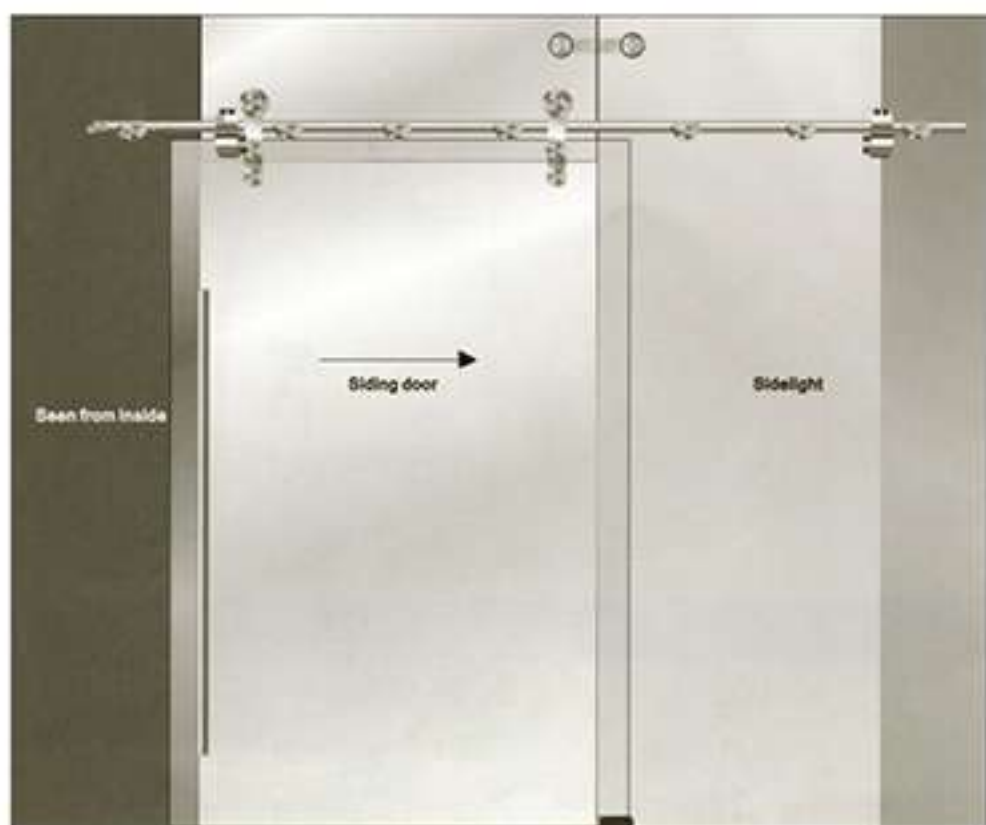


A - 600-6

JIA-SD202F



SD200不銹鋼軌玻璃滑門組





Na Da 專利品 品質必亮

台灣製造 100公斤

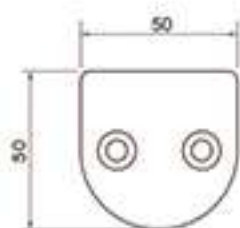
#198135 雙緩衝組
 ND-正上拖移多輪組 雙緩衝組
 100公斤(雙緩衝) 雙緩衝組

- 068 6分拉門雙緩衝組
- 下戶車橫移門緩衝組
- 868拉門緩衝組

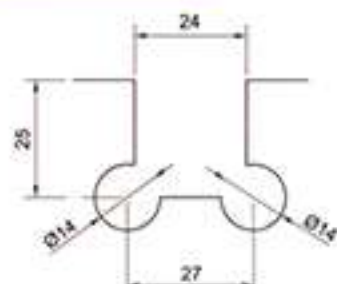
PNP930S(開孔)夾具組(亮銀)



*可搭配軌道 單軌(鋁)/雙軌(鋁)



單軌軌道



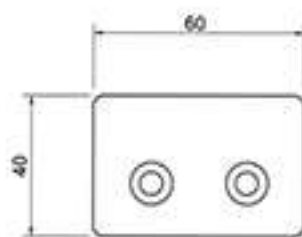
玻璃切割圖

雙軌軌道

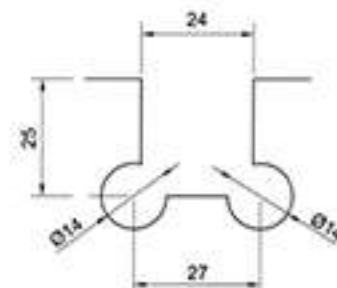
PNP940S(開孔)夾具組(亮銀)



*可搭配軌道 單軌(鋁)/雙軌(鋁)



單軌軌道

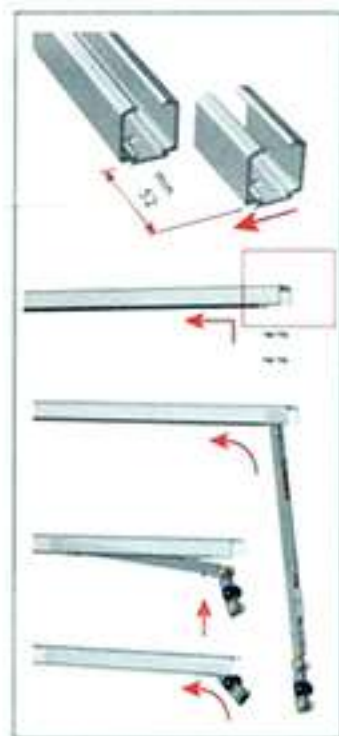


玻璃切割圖

雙軌軌道


特點：

軌道上可留一小截 (52mm) 維修孔，五金可直接從維修孔 (52mm) 拆裝，方便日後維修拆裝，不需拆下整支軌道；亦不用在假牆上留下維修洞，影響美觀。


For door of

Width: 650-1300mm
 Thickness: Min. 30mm
 Weight: Max 100kg
 Height Adjust: ± 4 mm
 PN NO: M513911

門片適用規格-

門寬：650-1300mm
 門厚：最薄. 30mm
 門重：最重. 100kg
 高度調整： ± 4 mm
 專利証號：M513911



****注意：**安裝啟動器時，四顆六角螺絲僅需鎖緊即可，請勿鎖過緊，以免把啟動器擠出軌道或使之裂開

AVVERTENZA IMPORTANTE
WARNING
NO
OK

內容物 五金數量表 上輪加緩衝器 緩衝器啟動器 上輪 下導片 加購-凹槽 加購-鋁軌道

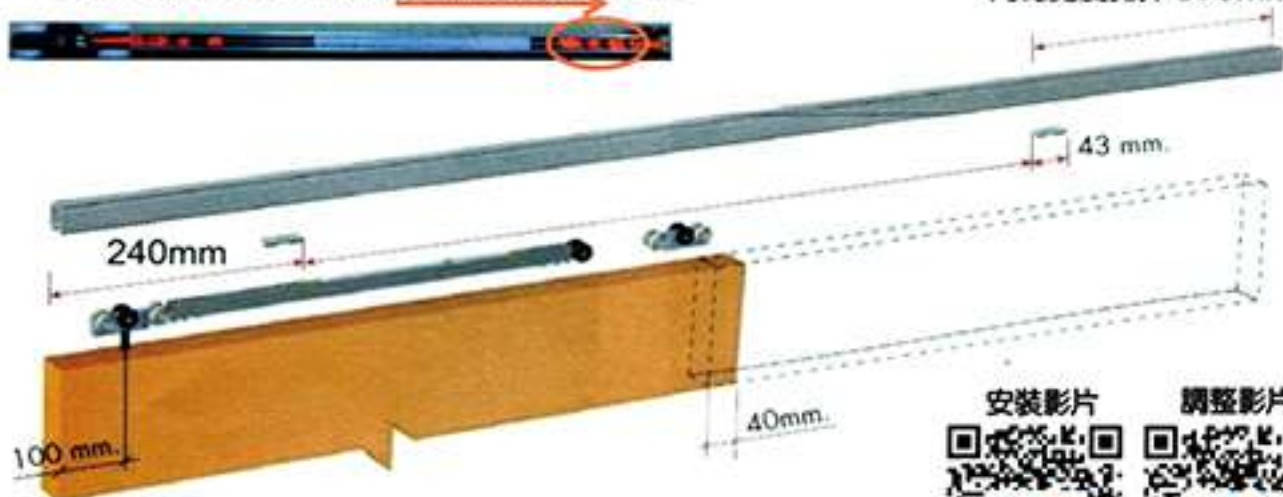


單片門	1	2	1	1	2	
雙片門	2	4	2	2	4	

※ 安裝前請先利用啟動器將主體彈簧拉至定位



門總寬度扣掉 370mm



安裝影片



調整影片



感應開關控制種類

產品名稱	檢知方式	安裝位置	適合設置場所
無線觸摸開關 (A) 	壓接觸摸板促使 無線電波傳送信號	活動門扇上	檢知範圍小之出入口靠近公用走道之場所。 例如：餐廳、速食店、便利商店等
無線觸摸開關 (B) 	壓接觸摸板促使 無線電波傳送信號	活動門扇上	檢知範圍小之出入口靠近公用走道之場所。 例如：餐廳、速食店、便利商店等
手感應開關 	紅外線反射動態檢知 (最大感應距離10公分)	牆壁上	衛生要求高、避免手部 感染場所。 例如：醫院手術室
足式靜電開關 	靜電感應	牆壁上	衛生要求高、無法用手開 關之避免手部感染場所。 例如：醫院手術室
感應卡機 	非接觸式感應 磁卡或鍵入密碼	門扇周圍	管制人員進出之門禁 管理保全要求高之場所。
自動門電鎖 (電磁鎖定) 		自動門機內	管制人員進出之門禁 管理保全要求高之場所。

半自動橫拉門吊軌

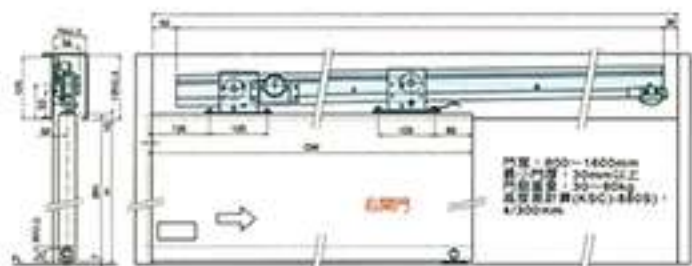
門關閉後會自動回靜，亦可調整門速度，適用於樓梯間及行動不便者之空間。款式有：鑰匙及鑰匙的非常安靜、不震動等。安裝簡單。 磁軌式(KSC-880S)、拉力式(KSC-880F)、異種鋼軌方式。



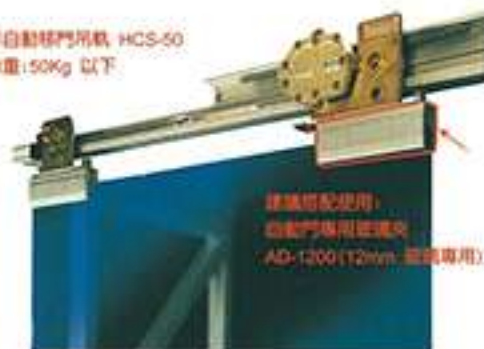
KSC-880S



KSC-880F



半自動橫拉門吊軌 HCS-50
 承重：50Kg 以下



日本科學技術長官賞受賞 日本三好式玻璃防煙垂壁



防煙垂壁之功能

1. 於火災發生初期，可減緩濃煙與天花板擴散風扇影響其他樓層。
2. 提供煙感知器及早通知，增加人員避難時間（煙感知器以煙濃度為動作依據）。
3. 可在每一防火區劃內配合抽排風設施作排煙，以利人員疏散逃生。

排煙設備相關法規

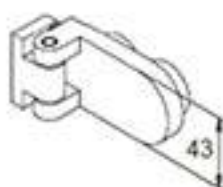
依建築技術規則設計施工編第100條第2項規定

- (一)防煙區劃：防煙區劃之設置，目的在防止火災所形成之濃煙噴出並流入其他房室、通道或房間，使濃煙固定於一區劃內，再經排煙口順利排出。防煙區劃之構造由樓板、隔層牆或防煙垂壁所構成。依規定，區劃之面積應在500㎡以內，而區劃內任一點至排煙口之水平距離應在30m範圍內。
- (二)防煙垂壁：係指以不燃材料建造之垂壁，自天花板下垂50公分以上，其於深夜自樓板下方距其50公分以上之樓板設天花板或其他樓板裝飾者亦屬之。



德國 DORMA Gral 玻璃鉸鏈

BO 315



NO:70.336
玻對牆鉸鏈
G/W



NO:70.337
玻對玻鉸鏈
G/G



NO:70.339
玻對玻鉸鏈
G/G

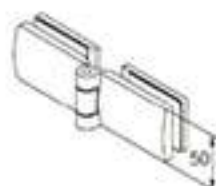


NO:70.340
玻對牆固定片
G/W

BO 410



NO:70.372
玻對牆鉸鏈
G/W



NO:70.373
玻對玻鉸鏈
G/G

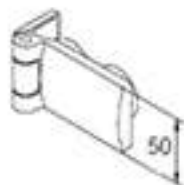


NO:70.374
玻對玻鉸鏈
G/G



NO:70.375
玻對牆固定片
G/W

BO 415



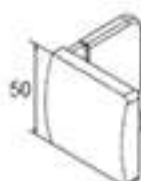
NO:70.381
玻對牆鉸鏈
G/W



NO:70.382
玻對玻鉸鏈
G/G



NO:70.383
玻對玻鉸鏈
G/G

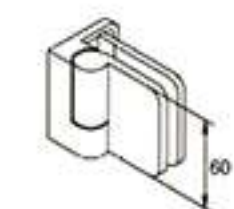


NO:70.384
玻對牆固定片
G/W

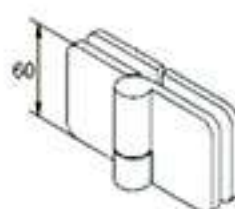


德國 DORMA Gral 玻璃鉸鏈

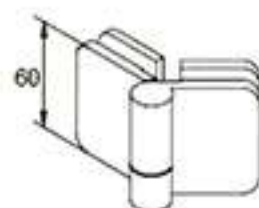
BH 200



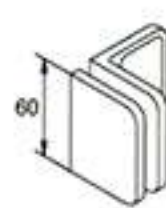
NO:70.284
玻璃對牆鉸鏈
G/W



NO:70.286
玻璃對玻璃鉸鏈
G/G

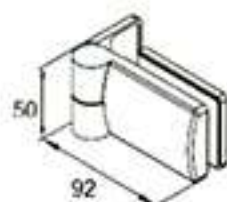


NO:70.288
玻璃對玻璃鉸鏈
G/G

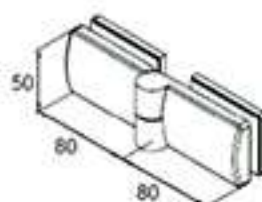


NO:70.289
玻璃對牆固定片
G/W

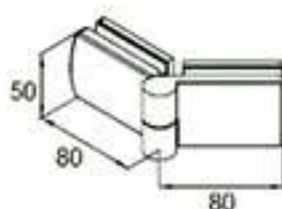
BH 410



NO:70.492
玻璃對牆鉸鏈
G/W



NO:70.494
玻璃對玻璃鉸鏈
G/G

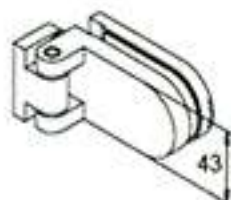


NO:70.496
玻璃對玻璃鉸鏈
G/G



NO:70.375
玻璃對牆固定片
G/W

BO 305



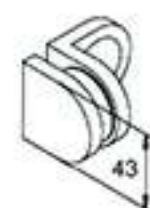
NO:70.320
玻璃對牆鉸鏈
G/W



NO:70.321
玻璃對玻璃鉸鏈
G/G



NO:70.323
玻璃對玻璃鉸鏈
G/G

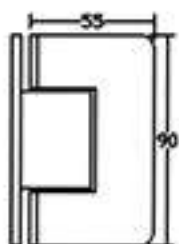


NO:70.324
玻璃對牆固定片
G/W

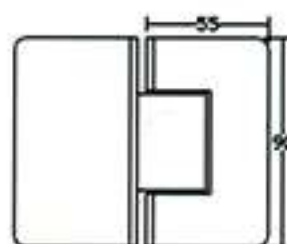


德國 DORMA 玻璃鉸鏈

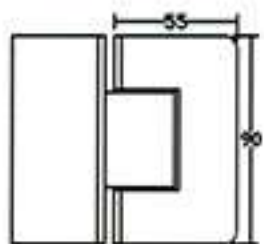
S1000 - 160



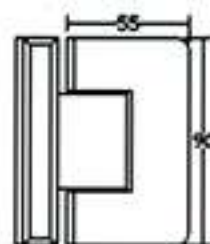
S1000 - 164



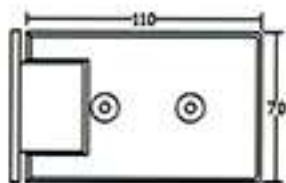
S1000 - 166



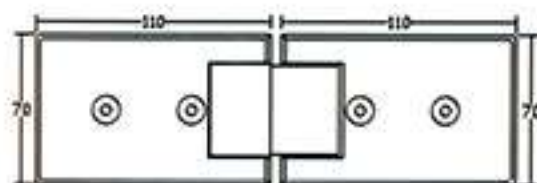
S1000 - 172



S1000 - 521



S1000 - 523





SK413LR





JIA PB-5007
不銹鋼 + 原木

L : 595mm
A : 575mm
Ø : 20 x 40mm



JIA PB-5009
不銹鋼 + 原木

L1 : 600mm A1 : 425mm
L2 : 900mm A1 : 620mm
Ø : 30 / 38mm



JIA PB-4804
不銹鋼半圓管



JIA PB-6022
不銹鋼鏡面
A : 450mm



JIA PB-6023
不銹鋼鏡面
A : 450mm



JIA PB-6024
不銹鋼鏡面
A : 450mm



JIA PB-6025
不銹鋼鏡面
A : 150 x 450mm



JIA PB-5001
不銹鋼 + 原木

L : 595mm
A : 575mm
Ø : 20 x 40mm



JIA PB-5002
不銹鋼毛絲 + 原木

L : 900mm
A : 870mm
Ø : 30mm



JIA PB-5003
不銹鋼 + 原木

L : 820mm
A : 800mm
Ø : 20 x 40mm



JIA PB-5004
不銹鋼 + 原木

L : 595mm
A : 595mm
Ø : 20 x 40mm

大門把手 | ★皆可訂作



JIA-9107★

管徑：10x100
 總長：200
 孔距：70



JIA-9108★

管徑：10x100
 總長：300
 孔距：120



JIA-9109★

管徑：20x20
 總長：160x160
 孔距：100



JIA-9110★

管徑：20x20
 總長：160x160
 孔距：100



JIA-9111★

管徑：10x160
 總長：160x160
 孔距：100

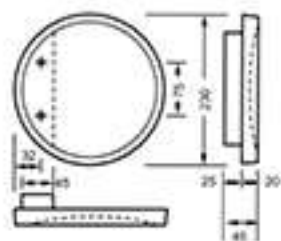


JIA-9112★

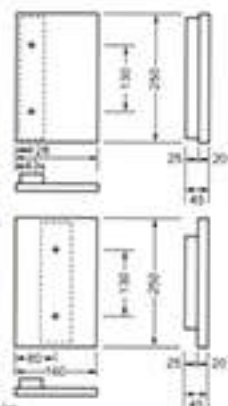
管徑：10x160
 總長：160x160
 孔距：100



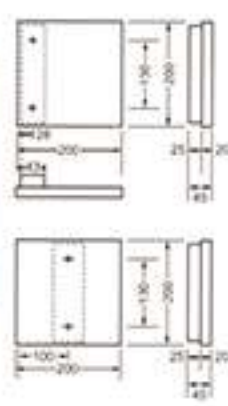
DT-1530C 200mmx200mm
 材質：不銹鋼毛絲面處理



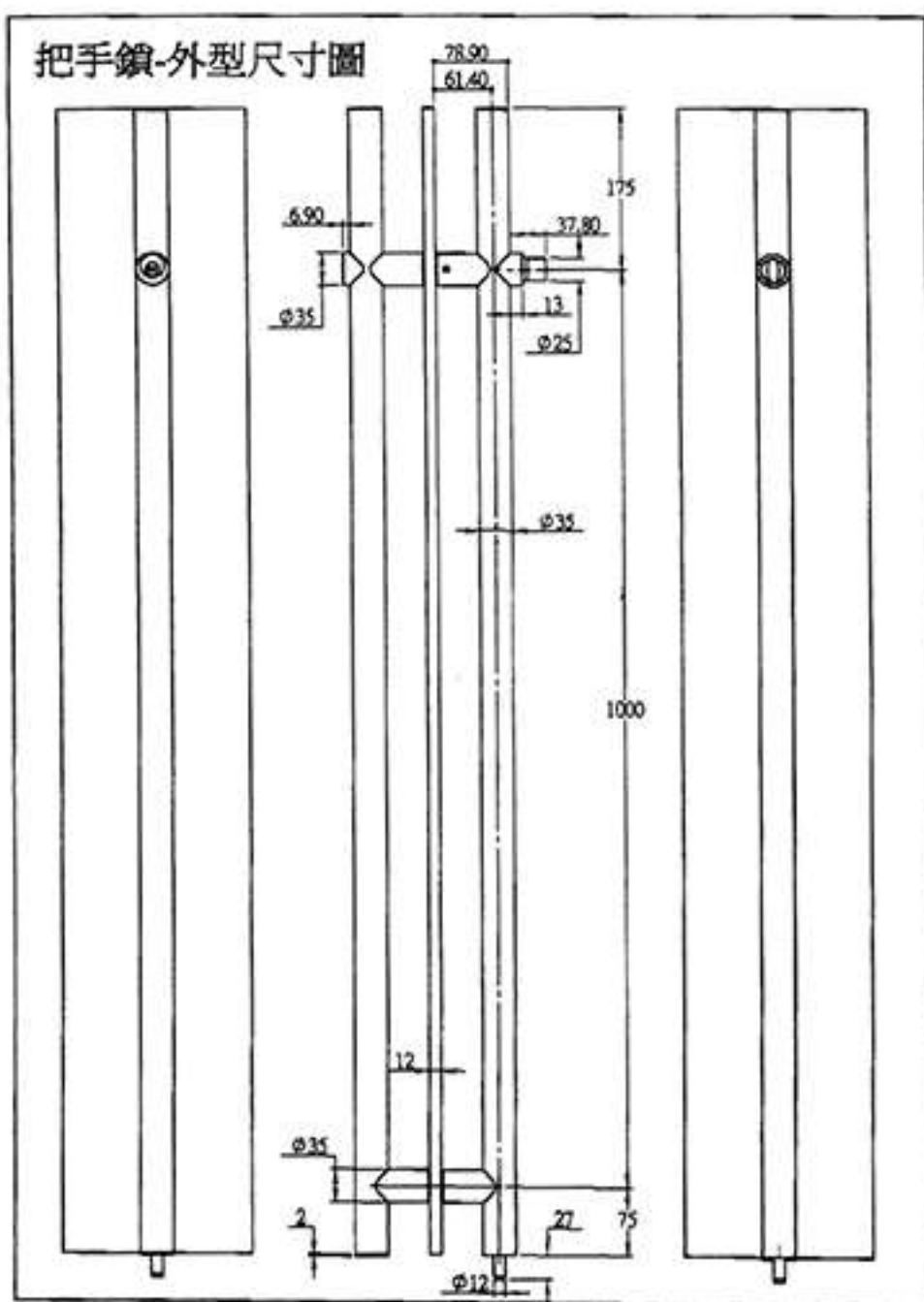
DT-1530B 160mmx250mm
 材質：不銹鋼毛絲面處理



DT-1530D 200mmx200mm
 材質：不銹鋼毛絲面處理



JIA LK8200-1 玻璃把手鎖



| 門把 | ★皆可訂作



中山毛木

JIA-9074 ★

管徑: \varnothing 38
總長: 1000
孔距: 600



平面向外

JIA-9075 ★

管徑: \varnothing 38
總長: 600 / 1000
孔距: 425 / 600



平面向外

JIA-9077 ★

管徑: \varnothing 38
總長: 600 / 800
孔距: 564 / 764



平面向內

JIA-9076 ★

管徑: \varnothing 38
總長: 600 / 800
孔距: 564 / 764



平面向內

JIA-9078 ★

管徑: \varnothing 38
總長: 600 / 800
孔距: 564 / 764



JIA-9070 ★

管徑: \square 30
總長: 450 / 600 / 900
孔距: 275 / 425 / 600



JIA-9071 ★

管徑: \square 30
總長: 450 / 600 / 900
孔距: 420 / 570 / 870



方管連尾型

JIA-9069 ★

管徑: \square 30
總長: 1000
孔距: 600



實心框

JIA-9072

管徑: \blacksquare 8x30
總長: 450 / 600
孔距: 420 / 570



實心夾框

JIA-9073 ★

管徑: \square 30
總長: 620
孔距: 600



| 門把 | ★皆可訂作



胡桃染黑

JIA-9079 ★
管徑: \bigcirc 38
總長: 600 / 900 / 1200
孔距: 425 / 600 / 900



胡桃木

JIA-9080 ★
管徑: \bigcirc 32 x 38
總長: 450 / 600 / 900
孔距: 275 / 425 / 600



花梨木

JIA-9081 ★
管徑: \bigcirc 38
總長: 450 / 600 / 900
孔距: 275 / 425 / 600



胡桃染黑

JIA-9082 ★
管徑: \bigcirc 25 x 32
總長: 450 / 600
孔距: 425 / 575



胡桃染黑

JIA-9083 ★
管徑: \bigcirc 25 x 32
總長: 450 / 600
孔距: 425 / 575



山毛木

JIA-9090 ★
管徑: \bigcirc 20x40
總長: 450 / 600
孔距: 275 / 425



胡桃木

JIA-9091 ★
管徑: \bigcirc 20x40
總長: 450 / 600 / 900
孔距: 430 / 580 / 880



楓木

JIA-9092 ★
管徑: \square 30
總長: 450 / 600 / 900
孔距: 275 / 425 / 600



胡桃木

JIA-9093 ★
管徑: \square 30
總長: 450 / 600 / 900
孔距: 420 / 570 / 870



山毛木實心夾膠

JIA-9089 ★
管徑: \bigcirc 32x38
總長: 800
孔距: 745

| 門把 | ★皆可訂作



S
型

JIA-9100 ★

管徑: ○
32
總長: 620
孔距: 520



香蕉
型

JIA-9101 ★

管徑: ○
25
總長: 450 / 600
孔距: 425 / 575



月眉
型

JIA-9102 ★

管徑: ○
32
總長: 300 / 400
孔距: 268 / 368



JIA-9103 ★

管徑: ○
25 / 32
總長: 200 / 232
孔距: 175 / 200



JIA-9104 ★

管徑: ○
32
總長: 232
孔距: 100



JIA-9105 ★

管徑: ○
25
總長: 220
孔距: 195



JIA-9106 ★

管徑: ○
25 / 32
總長: 330 / 322
孔距: 305 / 290



2
R

JIA-9094 ★

管徑: ○
19
總長: 169 / 469
孔距: 150 / 450



2
R

JIA-9095 ★

管徑: ○
25
總長: 300 / 450 / 600
孔距: 275 / 425 / 575



4
R

JIA-9096 ★

管徑: ○
25
總長: 300 / 450 / 600
孔距: 275 / 425 / 575



切
角
度

JIA-9097 ★

管徑: ○
25
總長: 450 / 600
孔距: 425 / 575



切
角
度

JIA-9098 ★

管徑: ○
25
總長: 450 / 600
孔距: 425 / 575



實
心

JIA-9099 ★

管徑: ●
19
總長: 170
孔距: 152

JIA PB-6001 JIA PB-6002 JIA PB-6003 JIA PB-6004 JIA PB-6005 JIA PB-6006 JIA PB-6007



JIA PB-6008 JIA PB-6009



柚木

JIA-9086 ★

管徑: \varnothing 38
總長: 450 / 600 / 900
孔距: 275 / 425 / 600



山毛木

JIA-9087 ★

管徑: \varnothing 38
總長: 450 / 600 / 900
孔距: 275 / 425 / 600



花梨木

JIA-9084 ★

管徑: \varnothing 38
總長: 600 / 900 / 1200
孔距: 425 / 600 / 900



K932

\varnothing 40 50
Color: SN ORB



K942 (S)

\varnothing 80 100 150
2-5 80 150 425
 \varnothing 80 - -
Color: AL



K940

\varnothing 45
H 37
Color: SN ORB



K942 (L)

\varnothing 135
2-5 96
 \varnothing 135
Color: AL



K944

\varnothing 90 140
2-5 33 64
H 33 36
Color: AN SN ORB



K957

\varnothing 80 140
2-5 60 120
H 33 36
Color: SN ORB



花梨木

JIA-9088 ★

管徑: \varnothing 38
總長: 450 / 600 / 900
孔距: 275 / 425 / 600

| 門把 | ★皆可訂作



K946

\varnothing 82 150 250
2-5 32 120 220
H 30 - -
H 62 - -
Color: AL SN ORB



K948

\varnothing 90 140
2-5 33 64
H 33 36
Color: SN ORB



K950

\varnothing 90 140
2-5 60 120
H 33 36
Color: SN ORB



PK998 (L)
 \varnothing 100x200
2-5 180
Color: AL



PK998 (S)
 \varnothing 60x150
2-5 120
Color: AL



K935

	260
	180
	30
Color	AL/WA



K937

	300 450 600
	180 275 425
	35 - -
Color	AB BSN PC



K943

	450 600
	275 425
	38 -
Color	AL/WA



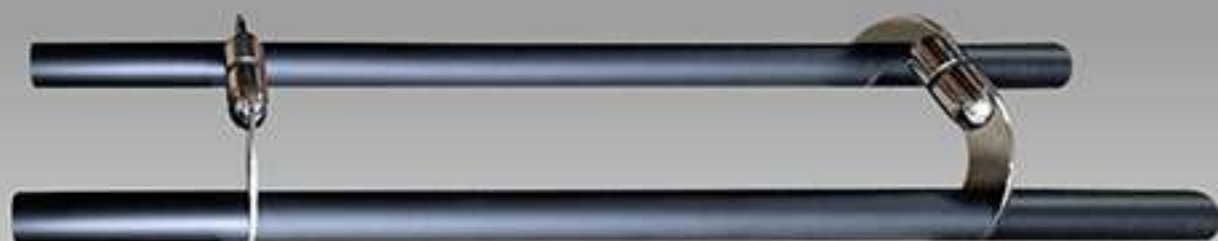
K945

	450 600
	275 425
	52 -
Color	ANI/WA



K947

	308 458 608
	275 425 575
	33 - -
Color	AL BNI ORB



K999 高級把手
長度可訂做



K954

	150	300	450
	19	-	-
	68	-	-
Color	AL ORB		



K955

	308	458	608
	275	425	575
	64	-	-
Color	BNI ORB		

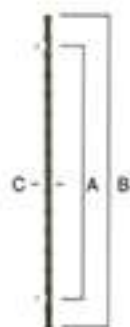


K956

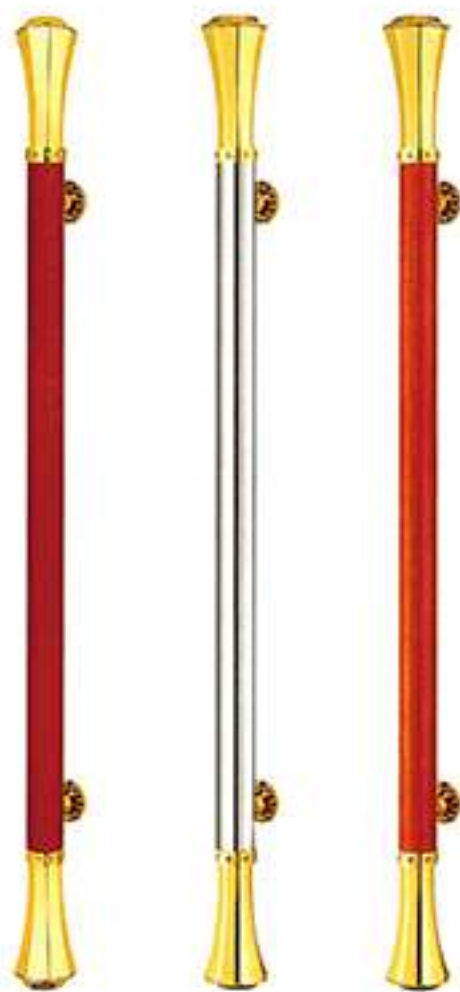
	300	450	600
	180	275	425
	25.4	-	-
Color	ABK ATI		



STN-630
規格/尺寸
(A:1500 B:1800 C:38)



STN-630



STN-631~3
規格/尺寸
(A:1200 B:1700 C:38)



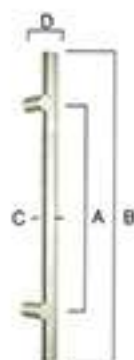
STN-631

STN-632

STN-633



STN-634
規格/尺寸
(A:400 B:800 C:19x38 D:60)



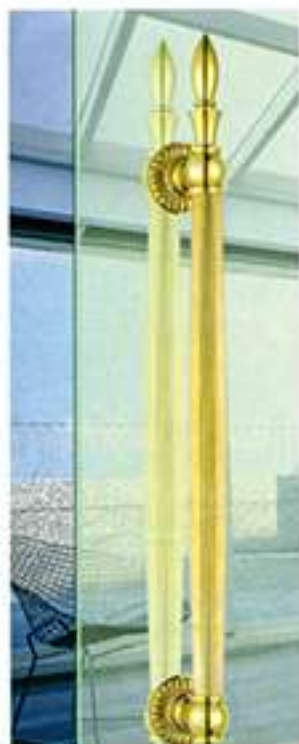
STN-634



STN-635
規格/尺寸
(A:562 B:600 C:15x38 D:60)

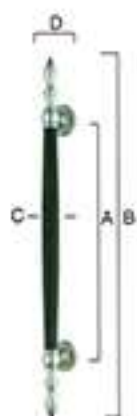


STN-635



STN-648

STN-649



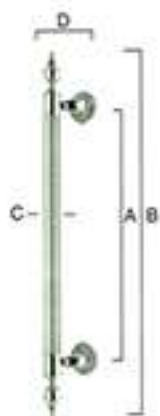
STN-648~9
規格/尺寸
M/A:535 B:600 C:38 D:85
材質:



STN-650

STN-651

STN-652



STN-650~2
規格/尺寸
M/A:568 B:600 C:38 D:100
材質:



STN-658



STN-659

STN-658-9
規格 / 寸
(A:950 B:1600 C:51 D:120)
材質 / 色



STN-660-1
規格 / 寸
(A:950 B:1600 C:51 D:120)
材質 / 色



STN-660



STN-661



STN-662



STN-663



STN-662
規格 / 寸
(A:558 B:750 C:36 D:120)
材質 / 色



STN-663
規格 / 寸
(A:537 B:900 C:36 D:80)
材質 / 色



STN-664



STN-665



STN-664-5
規格 / 寸
(A:800 B:1300 C:51 D:110)
材質 / 色



STN-639



STN-640

STN-639~40

規格/尺寸
(A:600 B:1100 C:49 D:51)

材質:



STN-641



STN-642

STN-641~2

規格/尺寸
(A:800 B:1500 C:48 D:120)

材質:



STN-643

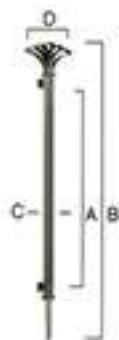


STN-644

STN-643~4

規格/尺寸
(A:820 B:1200 C:30x30 D:75)

材質:





JIA PB-3013

鋁合金毛絲

L1 : 300mm A1 : 180mm
L2 : 450mm A2 : 275mm
L3 : 600mm A3 : 425mm



JIA PB-3014

鋁霧面本色

L1 : 450mm A1 : 275mm
L2 : 600mm A2 : 425mm
L3 : 900mm A3 : 620mm
L4 : 1200mm A4 : 800mm



JIA PB-3015

鋁霧面本色

L1 : 450mm A1 : 275mm
L2 : 600mm A2 : 425mm
L3 : 900mm A3 : 620mm



JIA PB-3016

鋁霧面本色

L1 : 450mm A1 : 275mm
L2 : 600mm A2 : 425mm
L3 : 900mm A3 : 620mm
L4 : 1200mm A4 : 800mm



JIA PB-3001

鋁合金毛絲 + 原木

L1 : 600mm A2 : 425mm
L2 : 900mm A2 : 620mm



JIA PB-3002

不鏽鋼鍍鈦

L1 : 600mm A2 : 425mm
L2 : 900mm A2 : 620mm



JIA PB-3010

鋁合金霧金色

A : 575mm
L : 800mm



JIA PB-3006

鋁合金毛絲

L : 200mm
A : 120mm



JIA PB-3007

鋁合金毛絲

L : 400mm
A : 275mm



JIA PB-3031

鐵灰 + 鋁合金

L1 : 300mm A2 : 180mm
L2 : 600mm A2 : 425mm
L3 : 900mm A2 : 620mm
∅ : 9 x 60mm



JIA PB-3032

毛絲面 + 鋁合金

L1 : 300mm A2 : 180mm
L2 : 600mm A2 : 425mm
L3 : 900mm A2 : 620mm
∅ : 9 x 60mm



JIA PB-3008

鋁合金霧黑色

L : 300mm
A : 180mm

| 門把 | ★皆可訂作



JIA-9053 ★
管徑: 20x40
總長: 900 / 1200
孔距: 880 / 1180



大面
JIA-9054 ★
管徑: 20x40
總長: 450 / 600 / 900
孔距: 275 / 425 / 600



小面
JIA-9055 ★
管徑: 20x40
總長: 450 / 600 / 900
孔距: 275 / 425 / 600



小面
JIA-9058 ★
管徑: 15x30
總長: 450 / 600
孔距: 275 / 425



弧形大面
JIA-9059
管徑: 20x40
總長: 450 / 600
孔距: 275 / 425



大面
JIA-9056 ★
管徑: 20x40
總長: 450 / 600 / 900
孔距: 430 / 580 / 880



小面
JIA-9057 ★
管徑: 20x40
總長: 450 / 600 / 900
孔距: 410 / 560 / 880



小面
JIA-9061 ★
管徑: 20x40
總長: 450 / 600 / 900
孔距: 275 / 425 / 600



大面
JIA-9062 ★
管徑: 20x40
總長: 450 / 600 / 900
孔距: 275 / 425 / 600



弧形小面
JIA-9060 ★
管徑: 20x40
總長: 600 / 1200
孔距: 425 / 900



PB-6027
不銹鋼鏡面
Stainless steel mirror surface
L: 250 mm
A: 150 mm



JIA PB-2011
不銹鋼毛絲 + 咖啡砂
L: 1800mm
A: 950mm
Ø: 38mm



JIA PB-1014
不銹鋼 + 鋁合金 + 原木
青古銅 (防指紋抗UV處理)
L: 1800mm
A: 1200mm
Ø: 51mm



JIA PB-1015
不銹鋼 + 鋁合金
青古銅 (防指紋抗UV處理)
L: 1800mm
A: 1200mm
Ø: 51mm



大面
JIA-9063 ★
管徑: 25x50
總長: 300 / 450
孔距: 275 / 425



JIA PB-2012
不銹鋼毛絲 + 黑砂

L : 1200mm
A1 : 450mm A2 : 675mm
Ø1 : 51mm Ø1 : 38mm



JIA PB-2009
不銹鋼鏡面 + 原木

L : 1200mm
A : 800mm
Ø : 38mm



JIA PB-2010
不銹鋼 + 黑砂

L : 1200mm
A : 800mm
Ø : 38mm



JIA PB-1009
不銹鋼 + 原木

L : 760mm
A : 425mm
Ø : 32mm



JIA PB-1010
不銹鋼 + 原木

L : 760mm
A : 425mm
Ø : 32mm



JIA PB-2006
不銹鋼 + 原木

L : 1200mm
A : 800mm
Ø : 38mm



JIA PB-2007
不銹鋼 + 原木

L : 1200mm
A : 800mm
Ø : 38mm



JIA PB-2004
黑金鋼砂

L : 1200mm
A : 800mm
Ø : 38mm



JIA PB-2005
不銹鋼 + 原木

L : 1200mm
A : 800mm
Ø : 35mm





JIA PB-1004
不銹鋼鍍鈹 + 原木

L : 1500mm
A : 950mm
Ø : 38mm



JIA PB-1005
不銹鋼鍍鈹

L : 1500mm
A : 950mm
Ø : 38mm



JIA PB-1006
不銹鋼 + 銅鍍鈹 (梅花管)

L : 1500mm
A : 950mm
Ø : 38mm



JIA PB-1016
不銹鋼 + 鋁合金
青古銅 (防指紋抗UV處理)

L : 1200mm
A : 800mm
Ø : 51mm



JIA PB-1017
不銹鋼 + 鋁合金
青古銅 (防指紋抗UV處理)

L : 1200mm
A : 800mm
Ø : 51mm



JIA PB-1018
不銹鋼 + 鋁合金
青古銅 (防指紋抗UV處理)

L : 1200mm
A : 800mm
Ø : 51mm



JIA PB-1019
不銹鋼 + 鋁合金
青古銅 (防指紋抗UV處理)

L1 : 650mm A1 : 275mm
L2 : 900mm A1 : 425mm
Ø : 38mm



JIA PB-1020
不銹鋼 + 鋁合金
青古銅 (防指紋抗UV處理)

L1 : 650mm A1 : 275mm
L2 : 900mm A1 : 425mm
Ø : 38mm



JIA PB-1021
不銹鋼 + 鋁合金
青古銅 (防指紋抗UV處理)

L1 : 650mm A1 : 275mm
L2 : 900mm A1 : 425mm
Ø : 38mm



JIA PB-8005
不銹鋼咖啡砂 + 大理石
L : 1800mm
A1 : 490mm
A2 : 810mm
A3 : 490mm
Ø1 : 30 x 30mm

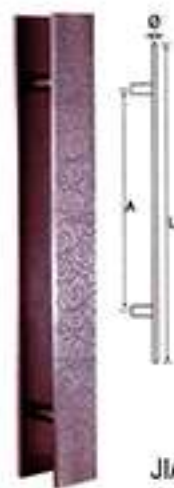


JIA PB-8006
不銹鋼咖啡砂 + 大理石
L : 1800mm
A1 : 490mm
A2 : 810mm
A3 : 490mm
Ø1 : 30 x 30mm

JIA PB-8003
不銹鋼咖啡砂 + 大理石
L : 840mm
A : 810mm
Ø : 30 x 160mm



JIA PB-8004
不銹鋼咖啡砂 + 大理石
L : 840mm
A : 810mm
Ø : 30 x 160mm



JIA PB-3020
鋁合金 + 黑色毛絲面
(防指紋抗UV處理)
L : 800mm
A : 575mm
Ø : 12 x 102mm

JIA PB-3021
鋁合金 + 玫瑰金毛絲面
(防指紋抗UV處理)
L : 800mm
A : 575mm
Ø : 12 x 102mm



JIA PB-8007
不銹鋼黑砂 + 大理石
L : 1800mm
A1 : 490mm
A2 : 810mm
A3 : 490mm
Ø1 : 30 x 30mm

JIA PB-8008
不銹鋼黑砂 + 大理石
L : 1800mm
A1 : 490mm
A2 : 810mm
A3 : 490mm
Ø1 : 30 x 30mm



JIA PB-3019
不銹鋼 + 鋁合金
(防指紋抗UV處理)
L : 1800mm
A1 : 887.5mm
A2 : 887.5mm
Ø : 25mm



JIA PB-3022
鋁合金 + 原木
黑毛絲(防指紋抗UV處理)
L : 1200mm
A : 850mm
Ø : 12 x 60mm



JIA PB-3026
鋁合金 + 霧黑
L1 : 600mm L2 : 920mm
A1 : 575mm A2 : 880mm
Ø1 : 34mm Ø2 : 40mm

JIA PB-3023
鋁合金 + 黑毛絲
黑毛絲(防指紋抗UV處理)
L : 920mm
A : 890mm
Ø : 12 x 40mm



JIA PB-3027
鋁合金 + 黑毛絲
L1 : 600mm L2 : 920mm
A1 : 575mm A2 : 880mm
Ø1 : 34mm Ø2 : 40mm



JIA PB-3029
不銹鋼 + 咖啡砂
L : 330mm
A : 125mm
Ø : 38mm



JIA PB-3018
不銹鋼毛絲 + 原木
L : 1500mm
A : 1000mm
Ø : 10 x 60mm



JIA PB-3028
不銹鋼 + 黑砂
L : 330mm
A : 125mm
Ø : 38mm



| 門把 | ★皆可訂作



黑色

JIA-9013 ★

管徑：

● 32

總長：

610 / 1200 / 1500

孔距：

425 / 900 / 1200



咖啡色

JIA-9015 ★

管徑：

■ 32x12

總長：

360

孔距：

300



鋁本色

JIA-9016 ★

管徑：

■ 32x12

總長：

360

孔距：

300



鋁本色

JIA-9017 ★

管徑：

■ 32x12

總長：

360

孔距：

300



鋁本色

HE-9008 ★

管徑：

○ 32

總長：

650

孔距：

600



顆粒咖啡色

JIA-9014 ★

管徑：

● 32

總長：

610 / 1200 / 1500

孔距：

425 / 900 / 1200



咖啡色

HE-9007 ★

管徑：

○ 32

總長：

600 / 900 / 1200

孔距：

425 / 600 / 900



鋁本色

HE-9009 ★

管徑：

● 20x35

總長：

660

孔距：

600

| 門把 | ★皆可訂作



青古銅

JIA-9018 ★

管徑: 20x20
總長: 650x75
孔距: 570



黑色

JIA-9019 ★

管徑: 25x38
總長: 600 / 900
孔距: 425 / 600



黑色

JIA-9020 ★

管徑: 20x35
總長: 600 / 900
孔距: 425 / 600



咖啡色

JIA-9021 ★

管徑: 20x20
總長: 650x75
孔距: 570



青古銅

JIA-9022 ★

管徑: 32x12
總長: 445
孔距: 425



咖啡色

JIA-9023 ★

管徑: 32x12
總長: 445
孔距: 425



實心交趾

JIA-9024 ★

管徑: 25 / 32
總長: 440 / 840
孔距: 400 / 800



青古銅

JIA-9025 ★

管徑: 32
總長: 450 / 600
孔距: 418 / 568



雙絲青古銅

JIA-9027 ★

管徑: 30
總長: 450 / 600
孔距: 275 / 425



鐵鏽紋

JIA-9028 ★

管徑: 32
總長: 450 / 600
孔距: 418 / 568



鐵鏽紋

JIA-9029 ★

管徑: 32
總長: 450 / 600
孔距: 418 / 568

| 門把 | ★皆可訂作



實心夾腳

JIA-9030 ★

管徑：○
25
總長：440 / 840
孔距：400 / 800



老少配車溝管

JIA-9031 ★

管徑：○
32x38
總長：1000
孔距：968



車溝管

JIA-9032 ★

管徑：○
32
總長：800
孔距：595



老少配車溝管

JIA-9033 ★

管徑：○
25x32
總長：600
孔距：475



果全剛

JIA-9035

管徑：○
32
總長：700
孔距：425



大小腳

JIA-9036 ★

管徑：○
25 / 32 / 38
總長：450 / 600 / 900
孔距：275 / 425 / 600



偏腳

JIA-9037 ★

管徑：○
25 / 32 / 38
總長：450 / 600 / 900
孔距：275 / 425 / 600



老少配車溝管

JIA-9034 ★

管徑：○
32x38
總長：600
孔距：425



老少配

JIA-9038 ★

管徑：○
32x38
總長：450 / 600
孔距：275 / 425



老少配

JIA-9039 ★

管徑：○
32x38
總長：450 / 600
孔距：418 / 568



實心套管

JIA-9040 ★

管徑：○
38
總長：625
孔距：600

| 門把 | ★皆可訂作



連尾型

JIA-9041 ★

管徑: ○
25 / 32
總長: 450 / 600 / 1000
孔距: 180 / 275 / 600



曲線型

JIA-9042

管徑: ●
32
總長: 450
孔距: 215



牛角型

JIA-9043

管徑: ○
32
總長: 460
孔距: 275



PE材質

JIA-9044 ★

管徑: □
25
總長: 450 / 600
孔距: 275 / 425



JIA-I-9045 ★

管徑: ○
25
總長: 450 / 600
孔距: 275 / 425



PE材質

JIA-I-9046 ★

管徑: ○
19
總長: 450
孔距: 425



JIA-9047 ★

管徑: □
50x10
總長: 600
孔距: 425



JIA-9048 ★

管徑: □
50x10
總長: 600
孔距: 425



JIA-9049 ★

管徑: □
50x10
總長: 600
孔距: 425



JIA-9050 ★

管徑: ■
40x8
總長: 430
孔距: 275



JIA-9051 ★

管徑: ■
40x8
總長: 430
孔距: 275



雷射面

JIA-9052 ★

管徑: ■
40x8
總長: 430
孔距: 275

■ R Type(Length 119)

PL011R



PL011R (BB KEY)



PL017R



PL018R



PL08S



PL018G



PL011R



PL012R



鋁門專用水平把手



PL012S



PL012G



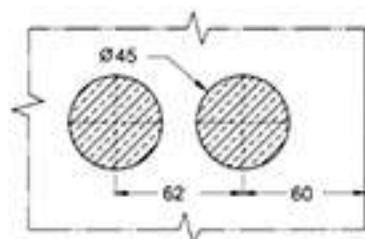
PL018S PL012S



PL018G PL012G

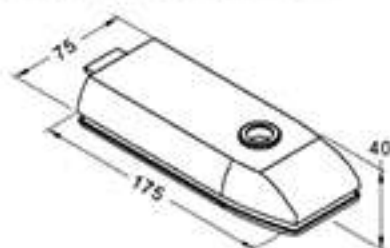


■ G Type (Length 175)

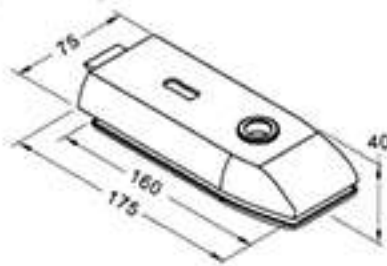


UNIT:mm

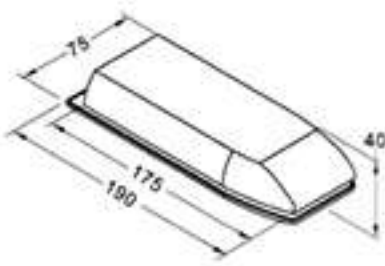
PL001G/PL001G(BB KEY)
/PL003G/PL005G/PL007G



PL002G/PL002G(BB KEY)
/PL004G/PL006G



PL008G



■ S Type (Length 160)

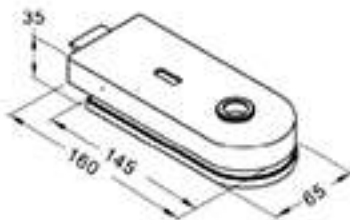


UNIT:mm

PL001S/PL001S(BB KEY)
/PL003S/PL005S/PL007S



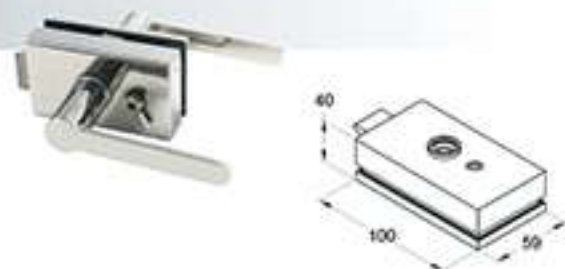
PL002S/PL002S(BB KEY)
/PL004S/PL006S



PL008S



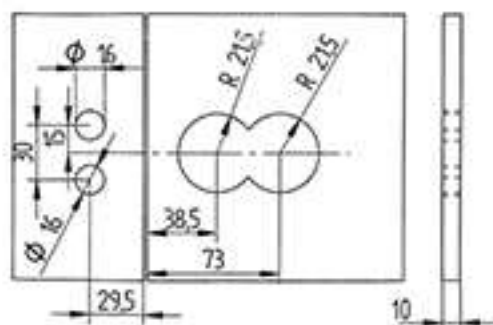
JIA - 095



JIA - 095S



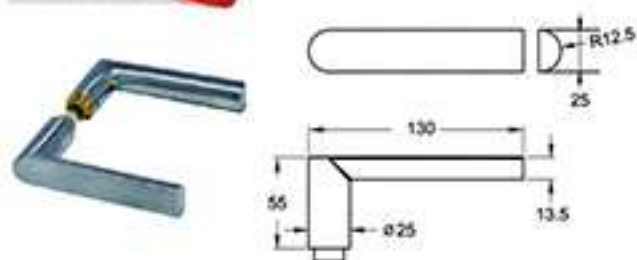
JIA LH102 Material : Stainless Steel / Aluminium



JIA LH103



LH112 **NEW**



JIA LH105 Material : Stainless Steel / Aluminium



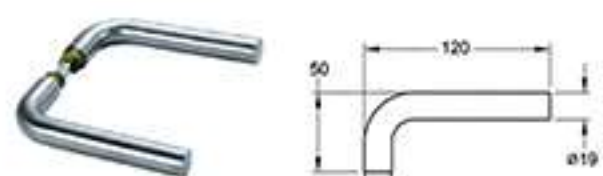
LH102S



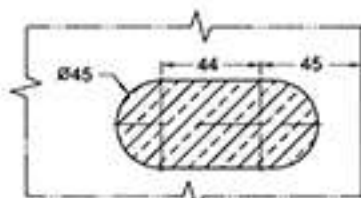
JIA LH108



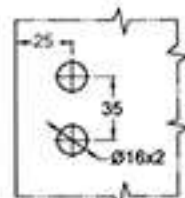
LH104S



磁力式水平鎖



For PL011C/F/G/R/S-PL016C/F/G/R/S



For PL017C/F/G/R/S
PL018C/F/G/R/S

S Type (Length 119)

JIA PL011S

JIA PL011S(BB KEY)

JIA PL012S

JIA PL012S(BB KEY)

JIA PL013S



JIA PL014S

JIA PL015S

JIA PL016S

JIA PL017S

JIA PL018S

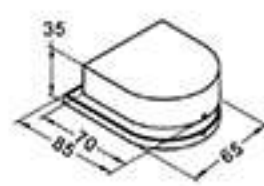
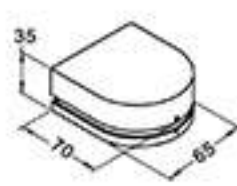
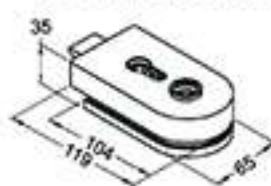
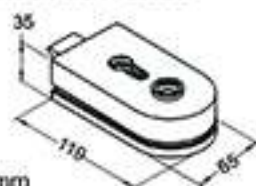


JIA PL011S/JIA PL011S(BB KEY)
/JIA PL013S/JIA PL015S

JIA PL012S/JIA PL012S(BB KEY)
/JIA PL014S/JIA PL016S

JIA PL017S

JIA PL018S



UNIT:mm

G Type (Length 142)

JIA PL011G

JIA PL011G(BB KEY)

JIA PL012G

JIA PL012G(BB KEY)

JIA PL013G



JIA PL014G

JIA PL015G

JIA PL016G

JIA PL017G

JIA PL018G



JIA PL011G/JIA PL011G(BB KEY)
/JIA PL013G/JIA PL015G

JIA PL012G/JIA PL012G(BB KEY)
/JIA PL014G/JIA PL016G

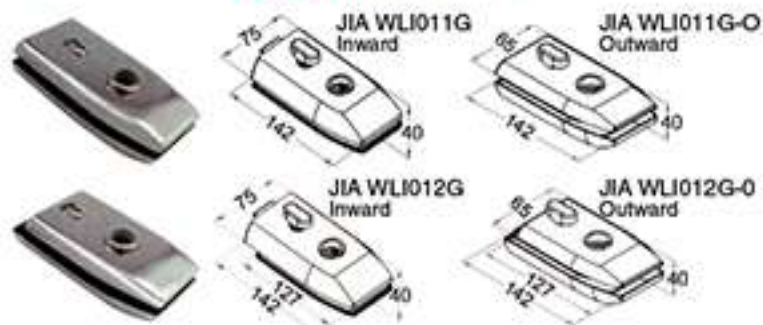
JIA PL017G

JIA PL018G

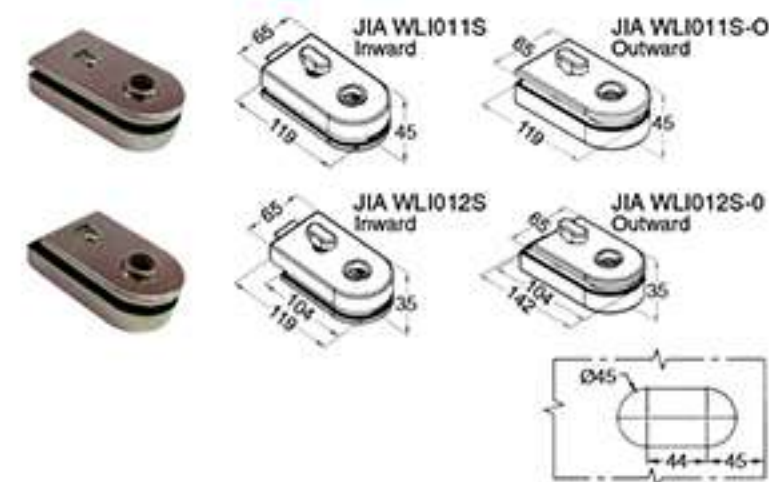


UNIT:mm

G Type (Length 142) **NEW PATENT RIGHT**

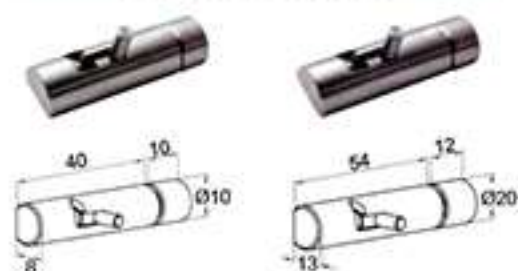


S Type (Length 119) **NEW PATENT RIGHT**

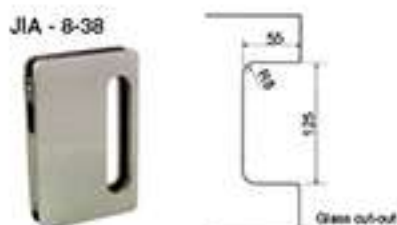
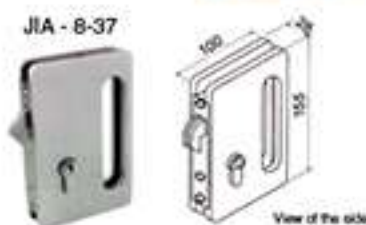
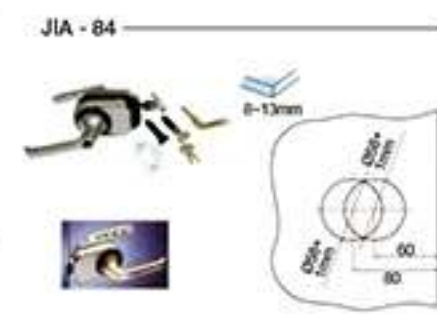
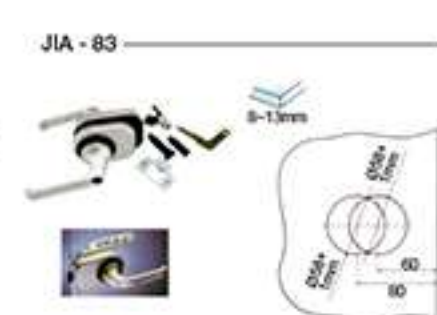
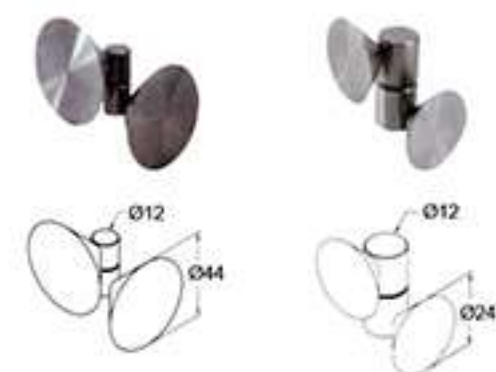


UV Glass Bonding Hardware

UV015 UV016
UV Bolt Locks for Double Doors



UV029 UV030
UV Glass to Glass Cone Hinge
Max. Glass Thickness is 10mm
Max. Door Weight 20kgs(Pair) Max. Door Weight 10kgs(Pair)

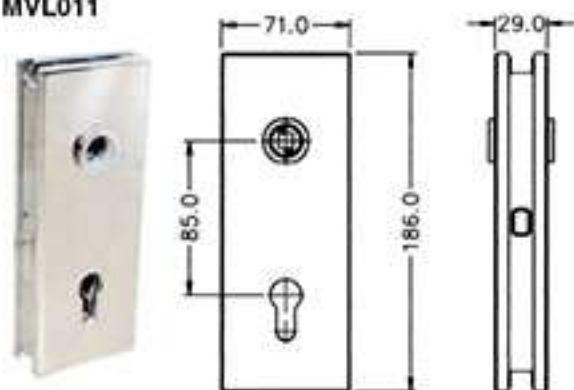


UNIT : mm

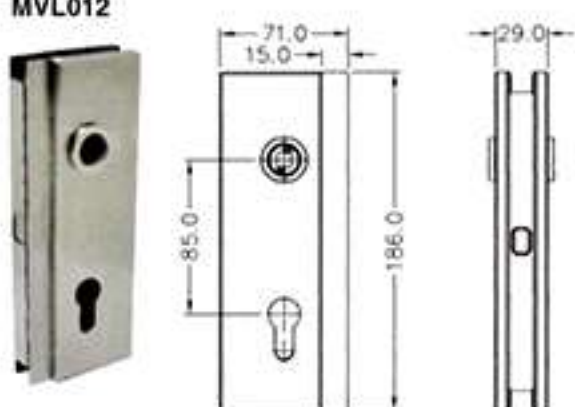
磁力式水平鎖

Magnetic Vertical Lock

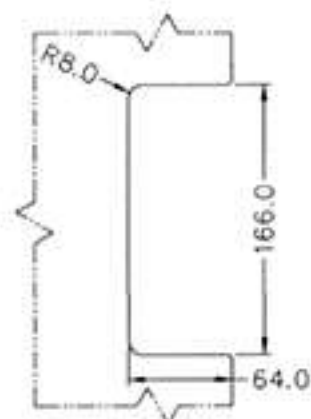
MVL011



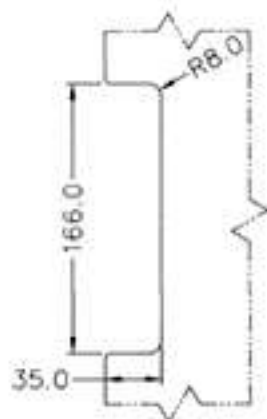
MVL012



MVL012 水平鎖
MVL018 授口



For MVL011~012
For MVWLI011~012

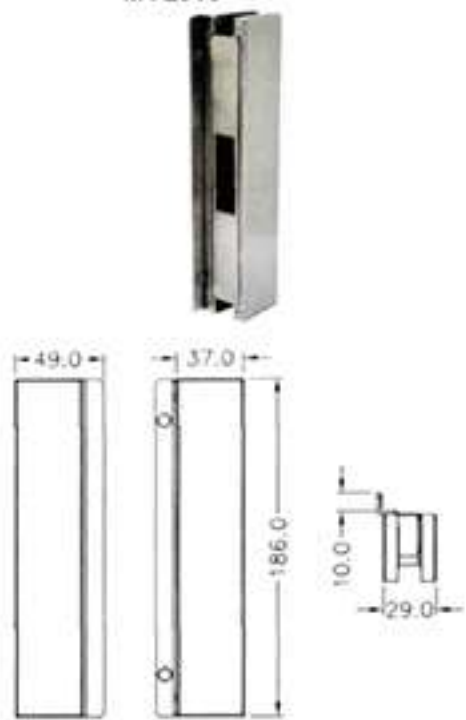


For MVL017~018

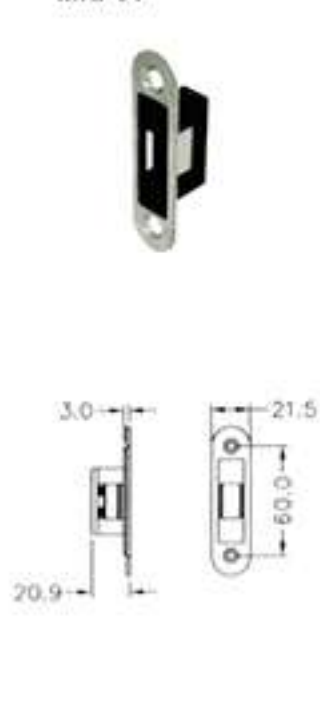
MVL017



MVL018

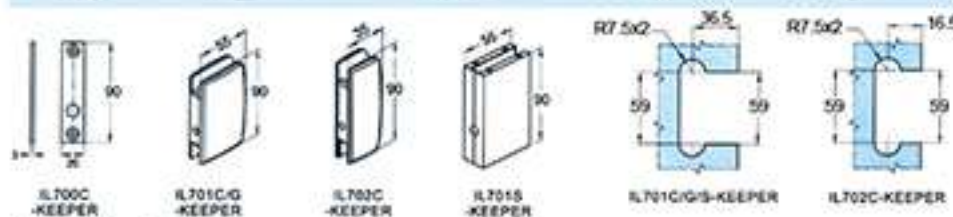


MKP01



Material : Brass
 PATENT RIGHT
 For 8mm(5/16") ~ 12mm(1/2") glass

● NEW UNIT:mm



Material : Brass
 PATENT RIGHT
 For 8mm(5/16") ~ 12mm(1/2") glass

● NEW UNIT:mm



Material : Brass

PATENT RIGHT

For 8mm(5/16") ~ 10mm(3/8") glass

● NEW UNIT:mm

JIA IL600C



JIA GL600C



JIA KL600C



JIA ILH600C



GLH600C



JIA KLH600C



● JIA ILH600C-N



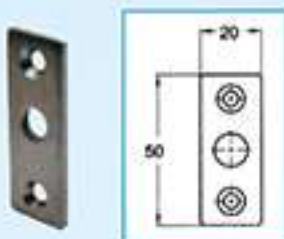
● GLH600C-N



● JIA KLH600C-N



JIA IL600C-KEEPER



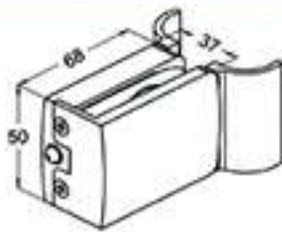
JIA IL601C-KEEPER



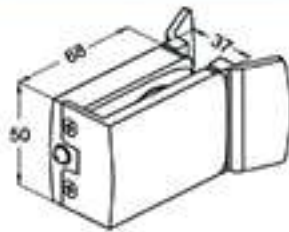
JIA IL602C-KEEPER



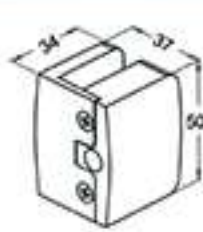
IL600C/GL600C/IL601C-KEEPER



ILH600C/GLH600C/ILH600C-N/GLH600C-N



IL601C-N/GLH600C-N/IL601C-N/GLH600C-N



IL602C-KEEPER

KLD601C 授口



KLD600C



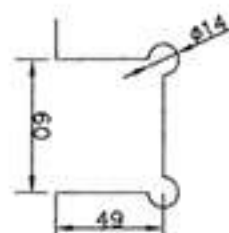
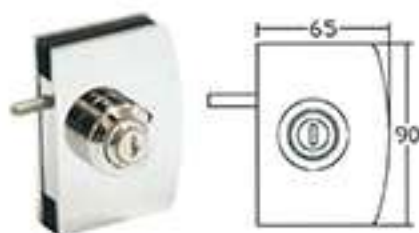
8, 10mm

免挖孔·轉鈕+鑰匙 方型鎖
(單邊開啟使用)
使用玻對玻·授口需另訂
材質: brass (銅)

JIA - 89



JIA - 88 KEY+轉鈕



UNIT:mm

JIA #935-S



JIA #935-D



JIA #936-D



JIA #937-S



JIA #937-D



JIA #936-S



JIA #320



JIA #330



JIA #321



JIA #318



JIA #312



JIA #331



JIA #334



JIA #335



JIA #336



JB-860A

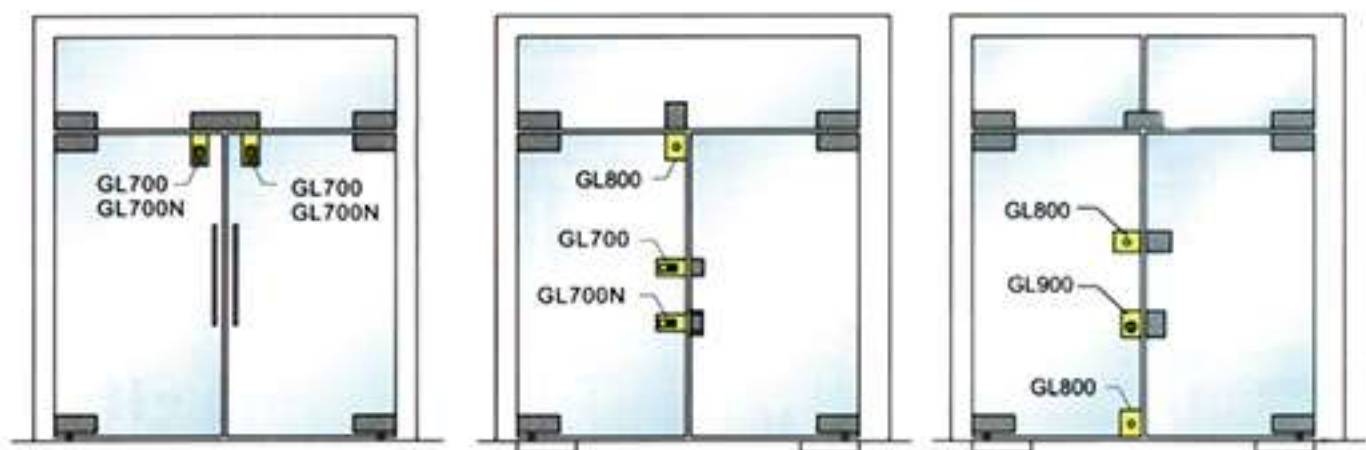


JB-860B



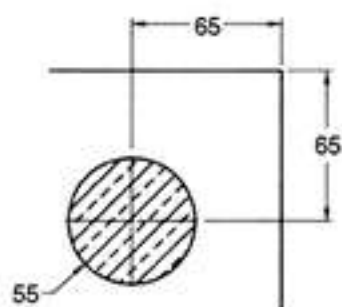
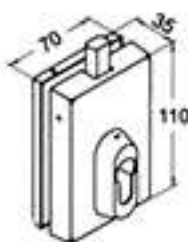
JB-860C (投口)





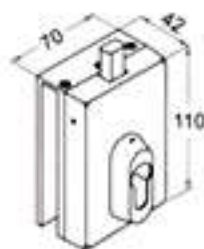
JIA GL700

JIA GL701



JIA GL700N

JIA GL701N



UNIT : mm

338



339



342



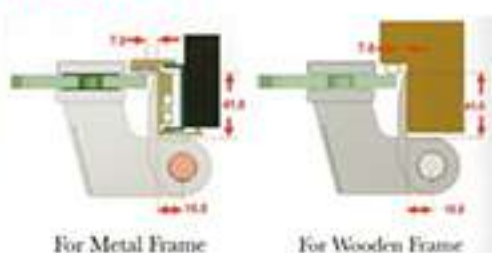
340



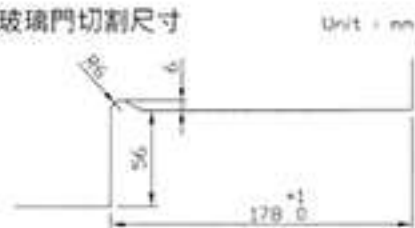
341



氣壓式玻璃回歸鉸鏈 HWGH系列



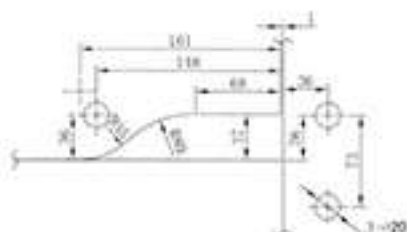
玻璃門切割尺寸



型號	最大門寬 (kg)	最大門高 (mm)	訂購組合	Function
HWGH-80	80	1000	油壓鉸鏈 × 1只, 氣壓鉸鏈 × 1只	停位和氣 80°至180°

- ★可依需求調整關閉速度5-17秒
- ★不因突然推門或風吹而損壞玻璃的效果
- ★門開80°-180°任意位置均可保持靜止
- ★適用最大80公斤門重, 門寬100公分
- ★適用單開門
- ★3年保固

- ★可適用的玻璃厚度8-12mm
- ★完美的組合, 底部-利用氣壓原理自動開門, 頂部-油壓彈簧鉸鏈
- ★門開至70°±5°自動開門作用
- ★適用性廣, 可直接安裝在木門框, 鋁框上
- ★表面鍍絲處理



隱藏式玻璃地鉸鏈 NHN PDC 100系列



- ★適用玻璃厚度8-13mm, 門框1250mm以下及最大承重150公斤
- ★低開門阻抗及高品質開門效率
- ★安裝好後可快速調整: 前後3mm, 左右3mm, ±4度對準
- ★適用溫度: 攝氏-20°C至50°C
- ★外部覆蓋有毛絲不鏽鋼處理及鍍面不鏽鋼處理
- ★輕巧設計, 快速安裝, 地面無需開槽, 進而減少金錢及時間的浪費
- ★取得歐盟EN1154認證 (耐久性50萬次)
- ★適用室內安裝

型號	功能	最大門寬	最大門重	最大開門角度
PDC100	無停位	1000mm	100kg	150°
PDC100-S	90°停	1000mm	100kg	150°
PDC105	無停位	1250mm	150kg	150°
PDC105-S	90°停	1250mm	150kg	150°

前後動作

PDC100S可以前後動作, 最大開門角度為150度, 而定位角度在90度



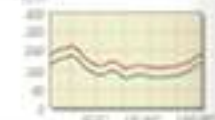
調整速度調節

開門速度調節 (150°-10°)
閉鎖速度調節 (10°-0°)



超過70%的動作效率

輕鬆開門, 緩慢回歸



隱藏式木門地鉸鏈 NHN PDC103W系列



- ★適用門寬1250mm以內, 150公斤以下門片
- ★安裝後可快速調整: 前後3mm, 左右3mm, ±4度對準
- ★適用溫度: 攝氏-20°C至50°C
- ★取代傳統式開門器, 取代一般的鉸鏈
- ★適用室內安裝

- ★低開門阻抗及高品質開門效率
- ★輕巧設計, 快速安裝, 地面無需開槽
- ★取得歐盟EN1154認證 (耐久性50萬次)



前後動作

無停門功能為型號PDC103W、105W, 最大開門角度150°

有停門功能為型號PDC103WS、105WS, 停門角度為90°
最大開門角度為150°



調整速度調節

開門速度調節 (150°-10°)
閉鎖速度調節 (10°-0°)



型號	功能	最大門寬	最大門重	最大開門角度
PDC103W	無停位	950mm	100kg	150°
PDC103WS	90°停	950mm	100kg	150°
PDC105W	無停位	1250mm	150kg	150°
PDC105WS	90°停	1250mm	150kg	150°

HF110S SERIES

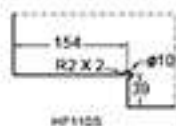
Door Thickness(mm) 5-12mm (5/16"-3/2")

Door Width : 900 mm (Max.)
Door Weight : 80 kg (Max.)

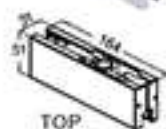
Self-closing when door is closed at 70°±5°

UNIT:mm

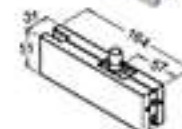
HF110S



GF200



GF300



Closing speed adjustment Specification

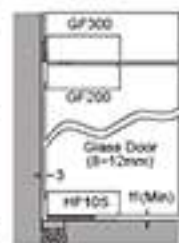
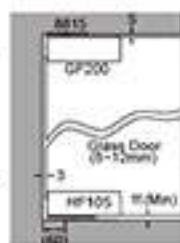
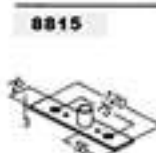
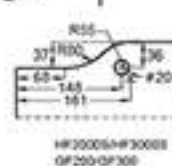
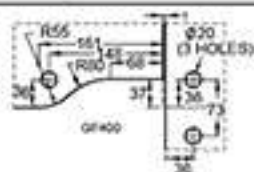
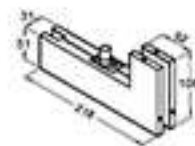
The closing speed will be fast when counterclockwise the oil valve "C" by using M2.5 Allen key. If in clockwise the closing speed will be slow.

Latching speed adjustment Specification

The latching speed will be fast when counterclockwise the oil valve "L" by using M2.5 Allen key. If in clockwise the latching speed will be slow.



GF400



HF1100S SERIES

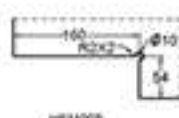
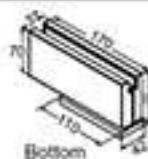
Door Thickness(mm) 5-14mm (5/16"-9/16")

Door Width : 1000 mm (Max.)
Door Weight : 100 kg (Max.)

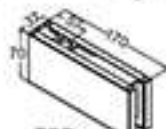
Self-closing when door is closed at 70°±5°

UNIT:mm

HF1100S



HF2000S



HF3000S



Closing speed adjustment Specification

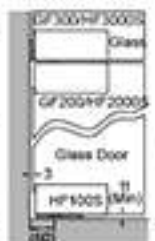
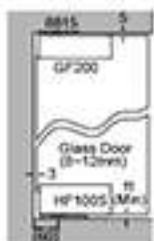
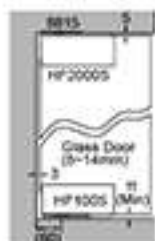
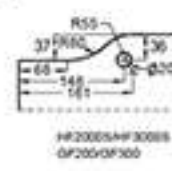
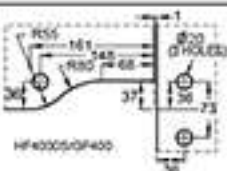
The closing speed will be fast when counterclockwise the oil valve "C" by using M3 Allen key. If in clockwise the closing speed will be slow.

Latching speed adjustment Specification

The latching speed will be fast when counterclockwise the oil valve "L" by using M3 Allen key. If in clockwise the latching speed will be slow.



HF4000S

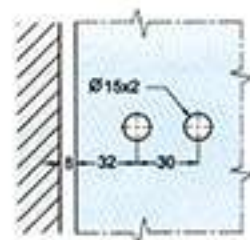
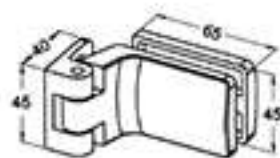


JIA FH100C/S Series

Material : Brass

Maximum Capacities	8mm (5/16")		10mm (3/8")	
	Weight	Door Width	Weight	Door Width
Using 2 Hinges	36kgs (80 / lbs)	711mm (28")	36kgs (80 / lbs)	711mm (28")
Using 3 Hinges	50kgs (110 / lbs)	813mm (32")	50kgs (110 / lbs)	813mm (32")

JIA FH100C

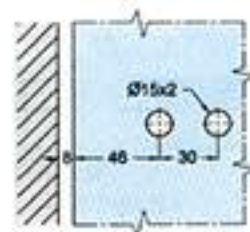
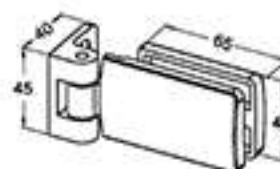


JIA FH101C



FH101S

NEW

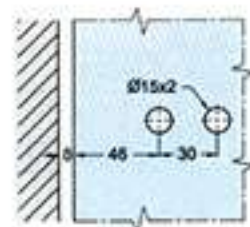
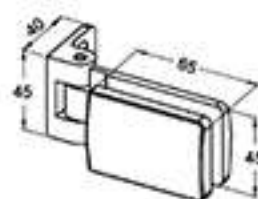


JIA FH102C



FH102S

NEW

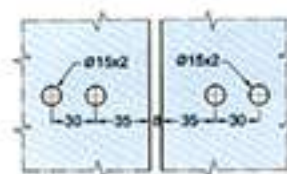


JIA FH103C



FH103S

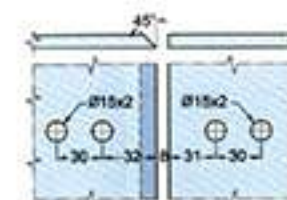
NEW



Glass to glass for 90°



Glass to glass for 135°

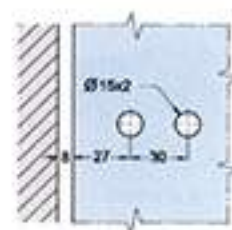
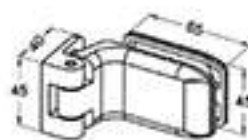


JIA FH100G Series

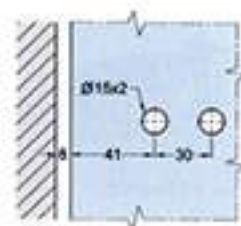
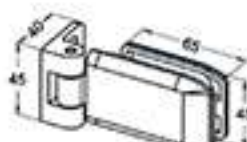
Material : Brass

Maximum Capacities	8mm (5/16")		10mm (3/8")	
	Weight	Door Width	Weight	Door Width
Using 2 Hinges	36kgs (80 / lbs)	711mm (28")	36kgs (80 / lbs)	711mm (28")
Using 3 Hinges	50kgs (110 / lbs)	813mm (32")	50kgs (110 / lbs)	813mm (32")

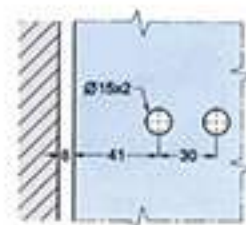
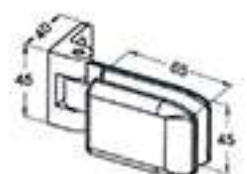
JIA FH100G



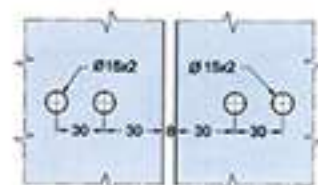
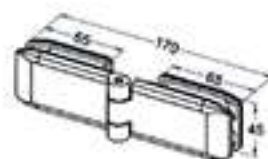
JIA FH101G



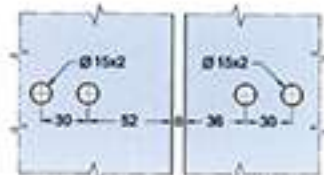
JIA FH102G



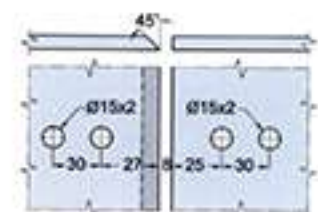
JIA FH103G



Glass to glass for 90°



Glass to glass for 135°

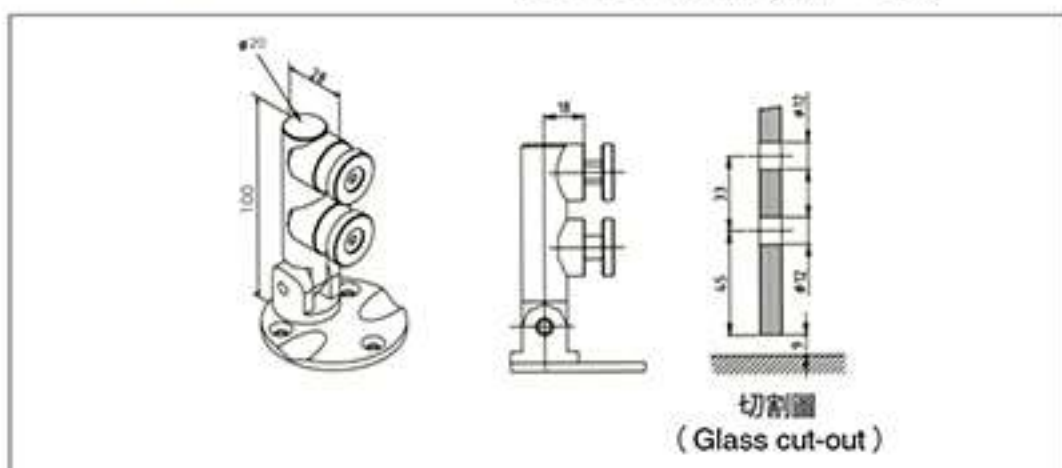


SK151



Free Hinge

材質 (Material) : 白鐵 (SUS316L)
 玻璃對牆壁90度 (Glass to wall 90°)
 玻璃厚度 (Glass thickness) : 8~10mm
 使用2個鉸鍊 (Using 2 Hinge) :
 最大門寬 (Max door width) : 711mm
 最大載重 (Max weight) : 36kg

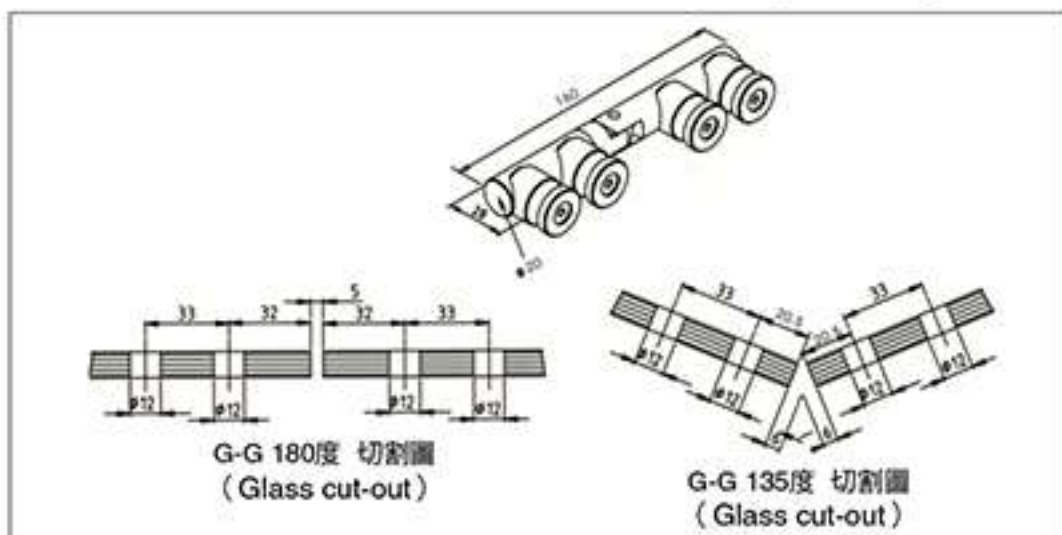


SK152



Free Hinge

材質 (Material) : 白鐵 (SUS316L)
 玻璃對玻璃 (Glass to glass)
 玻璃厚度 (Glass thickness) : 8~10mm
 使用2個鉸鍊 (Using 2 Hinge) :
 最大門寬 (Max door width) : 711mm
 最大載重 (Max weight) : 36kg

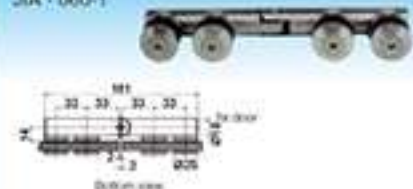


JIA FH800R Series

Material : Brass

Maximum Capacities	6mm (1/4")		8mm (5/16")	
	Weight	Door Width	Weight	Door Width
Using 2 Hinges	28kgs (62 / lbs)	711mm (28")	28kgs (62 / lbs)	711mm (28")
Using 3 Hinges	42kgs (92 / lbs)	813mm (32")	42kgs (92 / lbs)	813mm (32")

JIA - 000-1



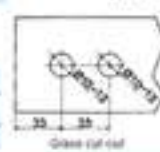
JIA FH801R



JIA FH802R

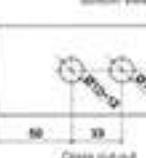


JIA FH803R



- Material : stainless
- Glass to Wall 180°
- No spring : **000001**
- Only use direction to open the door : **000002**

JIA - 000-1



- Material : stainless
- Glass to Wall 90°
- No spring : **000001**
- Only use direction to open the door : **000002**

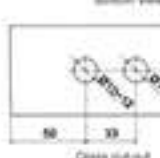
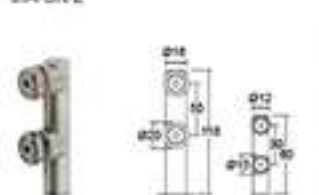
JIA - 83-1



JIA-LV-6



JIA-SK-2



- Material : stainless
- Glass to Wall 90°
- No spring : **000001**
- Only use direction to open the door : **000002**

UNIT : mm



JB-6201 JB-6202 JB-6203 JB-6204 JB-630 JB-632 JB-633 JB-634



JB-061-1 JB-061-2 JB-061-3 JB-81-13 JB-81-1 JB-81-2 JB-82-1 JB-81-3



JB-81-4 JB-81-5 JB-82-2 JB-83-1 JB-65-1 JB-66-2 JB-66-3



JB-66-4 JB-0013 JB-0014 JB-000-1 JB-0012 JB-000-2



JB 184 雙向防水



JB 172



JB 173



JB 171



JB 173



JB 181 雙向防水



雙向防水



JB 171



JB 0588 方型棒鉸鏈



JB 181



JB 02010200

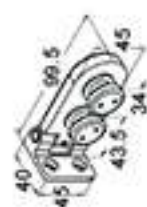


JIA FH200F Series

Material :
Stainless steel

Maximum Capacities	8mm (5/16")	10mm (3/8")
Using 2 Hinges	30kgs (60 / lbs)	30kgs (60 / lbs)
Using 3 Hinges	60kgs (110 / lbs)	50kgs (110 / lbs)
Door Width	711mm (28")	711mm (28")
Door Width	813mm (32")	813mm (32")

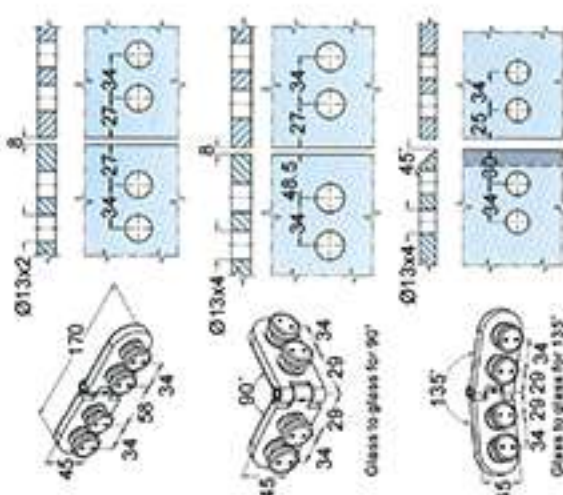
JIA FH201F



JIA FH202F



JIA FH203F

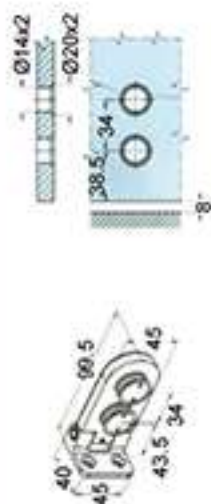


JIA FH200C Series

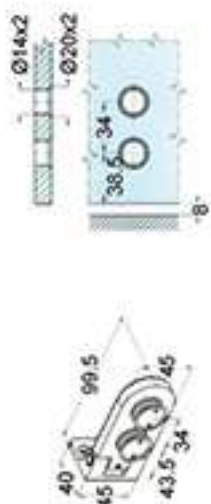
Material :
Stainless steel
PATENT RIGHT

Maximum Capacities	8mm (5/16")	10mm (3/8")
Using 2 Hinges	30kgs (60 / lbs)	30kgs (60 / lbs)
Using 3 Hinges	60kgs (110 / lbs)	50kgs (110 / lbs)
Door Width	711mm (28")	711mm (28")
Door Width	813mm (32")	813mm (32")

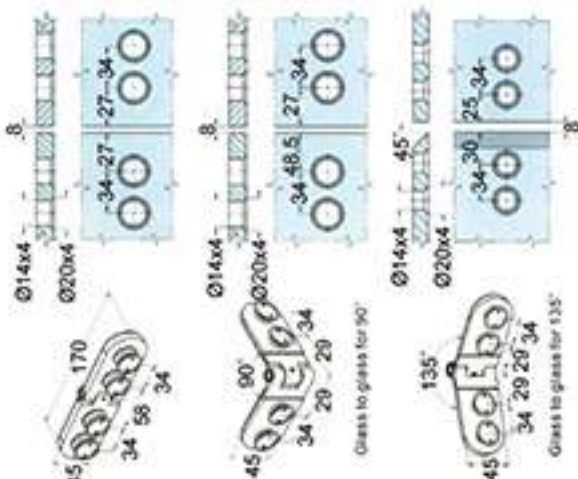
JIA FH201C



JIA FH202C

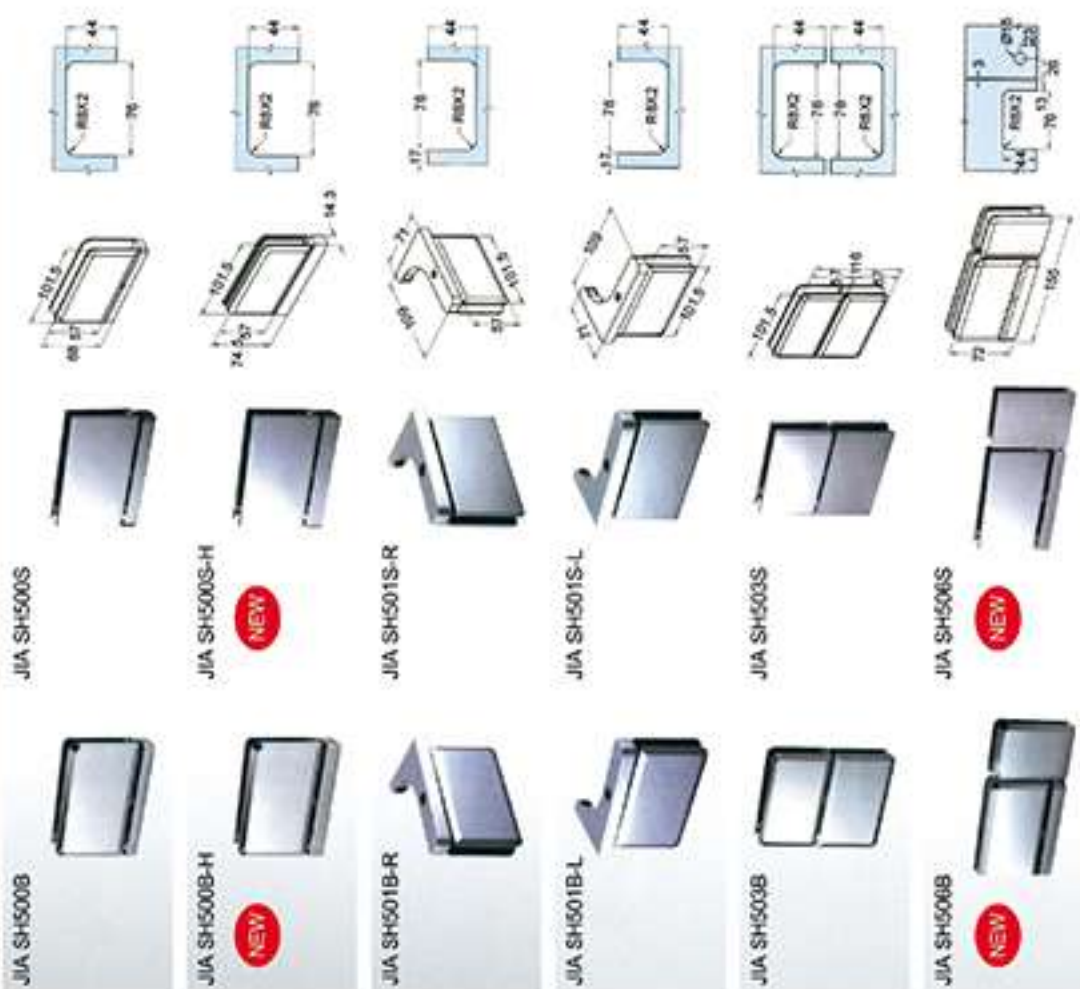


JIA FH203C

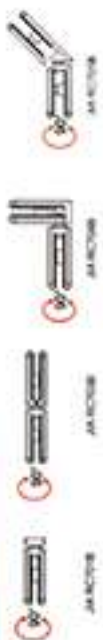
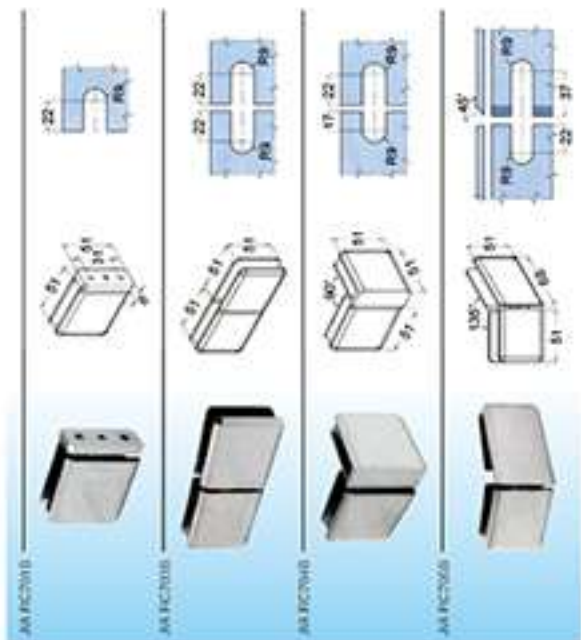


JIA SH500B/S Series

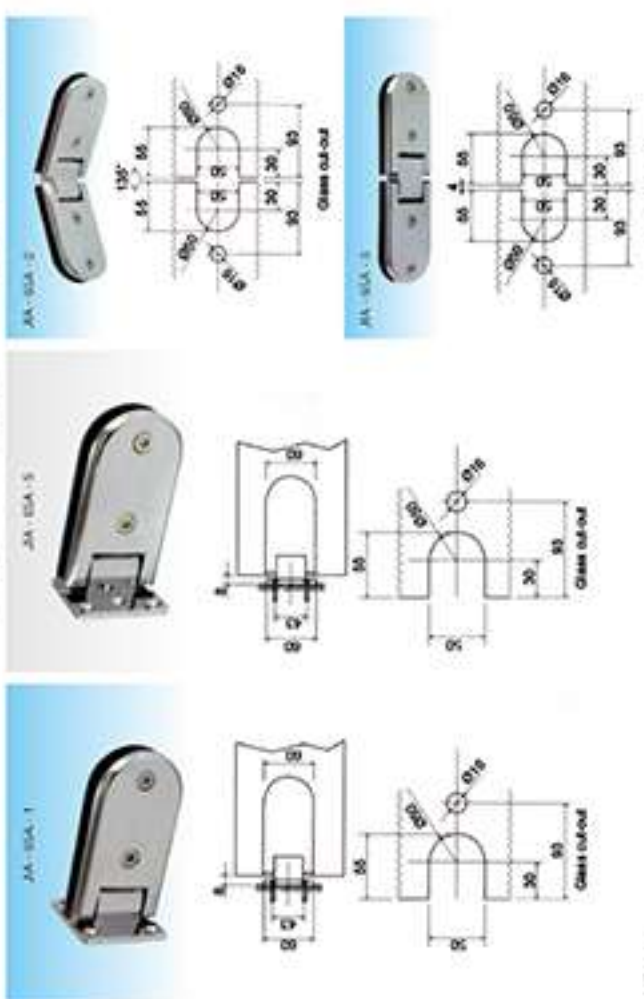
Material : Brass	Maximum Capacities	10mm (3/8")	12mm (1/2")
	Using 2 Hinges	Weight 50kgs (120 / lbs)	Door Width 813mm (32")
		Weight 50kgs (120 / lbs)	Door Width 813mm (32")
		50kgs (120 / lbs)	813mm (32")



UNIT: mm

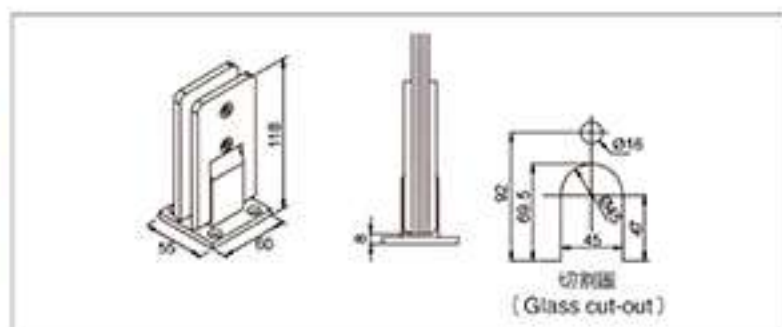


The JIA SH500B/S Series (SH500B/S) - Glass (SH500B/S)
Material : Brass



UNIT: mm

SK201



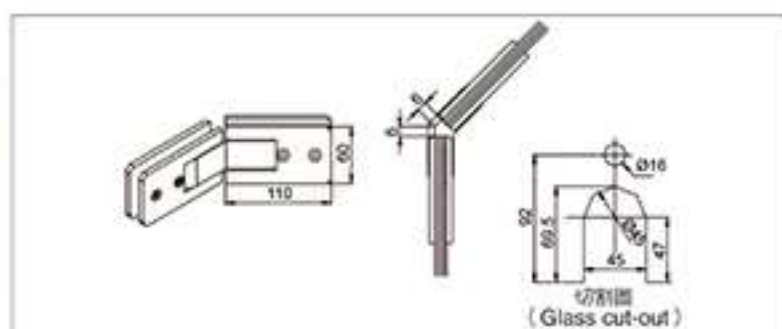
Spring Hinge

材質 (Material) : 鍛造銅 (Brass)
 玻璃對牆壁90度 (Glass to wall 90°)
 玻璃厚度 (Glass thickness) : 8-10mm

使用2個鉸鏈 (Using 2 Hinge) :
 最大門寬 (Max door width) : 850mm
 最大載重 (Max weight) : 45kg

使用3個鉸鏈 (Using 3 Hinge) :
 最大門寬 (Max door width) : 950mm
 最大載重 (Max weight) : 60kg

SK202



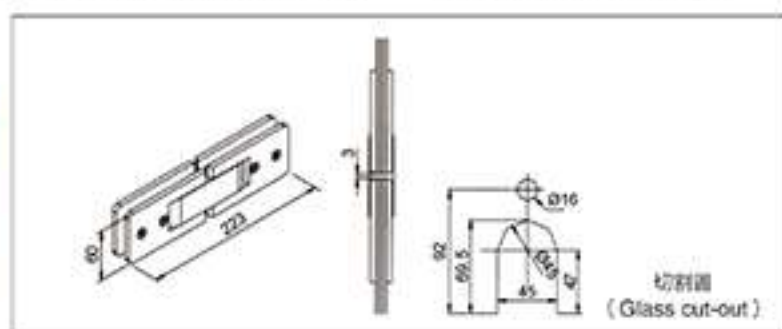
Spring Hinge

材質 (Material) : 鍛造銅 (Brass)
 玻璃對牆壁135度 (Glass to wall 135°)
 玻璃厚度 (Glass thickness) : 8-10mm

使用2個鉸鏈 (Using 2 Hinge) :
 最大門寬 (Max door width) : 850mm
 最大載重 (Max weight) : 35kg

使用3個鉸鏈 (Using 3 Hinge) :
 最大門寬 (Max door width) : 950mm
 最大載重 (Max weight) : 60kg

SK203



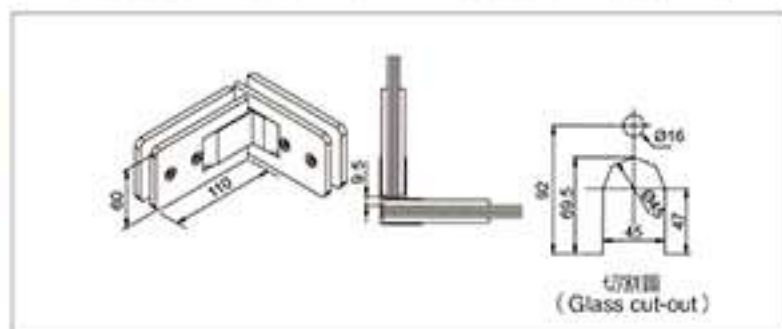
Spring Hinge

材質 (Material) : 鍛造銅 (Brass)
 玻璃對牆壁180度 (Glass to wall 180°)
 玻璃厚度 (Glass thickness) : 8-10mm

使用2個鉸鏈 (Using 2 Hinge) :
 最大門寬 (Max door width) : 850mm
 最大載重 (Max weight) : 45kg

使用3個鉸鏈 (Using 3 Hinge) :
 最大門寬 (Max door width) : 950mm
 最大載重 (Max weight) : 60kg

SK204



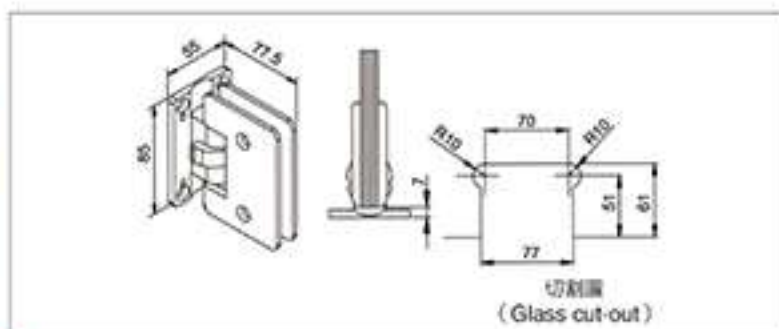
Spring Hinge

材質 (Material) : 鍛造銅 (Brass)
 玻璃對牆壁90度 (Glass to wall 90°)
 玻璃厚度 (Glass thickness) : 8-10mm

使用2個鉸鏈 (Using 2 Hinge) :
 最大門寬 (Max door width) : 850mm
 最大載重 (Max weight) : 35kg

使用3個鉸鏈 (Using 3 Hinge) :
 最大門寬 (Max door width) : 950mm
 最大載重 (Max weight) : 60kg

SK121



Auto Spring Hinge

材質 (Material) : 鍍造銅 (Brass)

自動迴轉85°-0° (Auto closing 85°-0°)

玻璃對牆壁90度 (Glass to wall 90°)

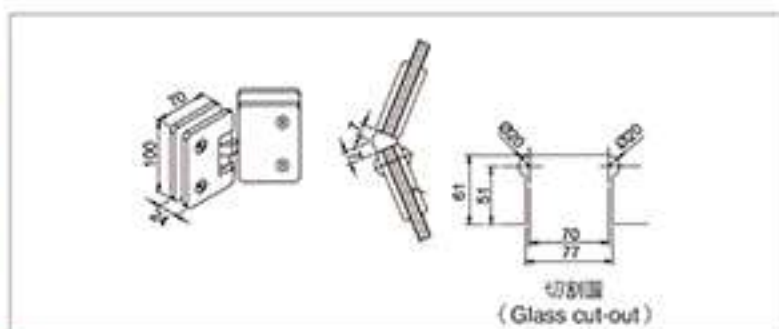
玻璃厚度 (Glass thickness) : 8-10mm

使用2個鉸鏈 (Using 2 Hinge) :

最大門寬 (Max door width) : 900mm

最大載重 (Max weight) : 60kg

SK122



Auto Spring Hinge

材質 (Material) : 鍍造銅 (Brass)

自動迴轉85°-0° (Auto closing 85°-0°)

玻璃對牆壁135度 (Glass to wall 135°)

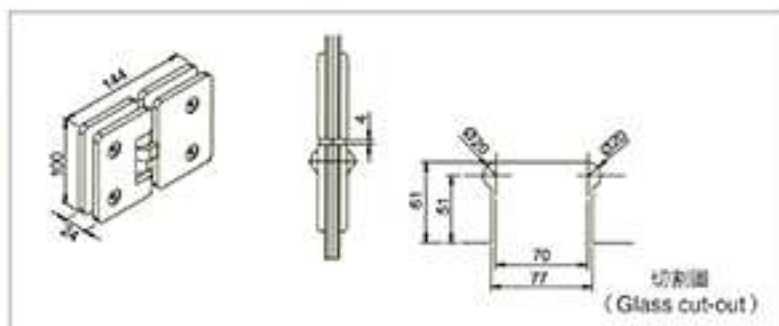
玻璃厚度 (Glass thickness) : 8-10mm

使用2個鉸鏈 (Using 2 Hinge) :

最大門寬 (Max door width) : 900mm

最大載重 (Max weight) : 60kg

SK123



Auto Spring Hinge

材質 (Material) : 鍍造銅 (Brass)

自動迴轉85°-0° (Auto closing 85°-0°)

玻璃對牆壁90度 (Glass to wall 90°)

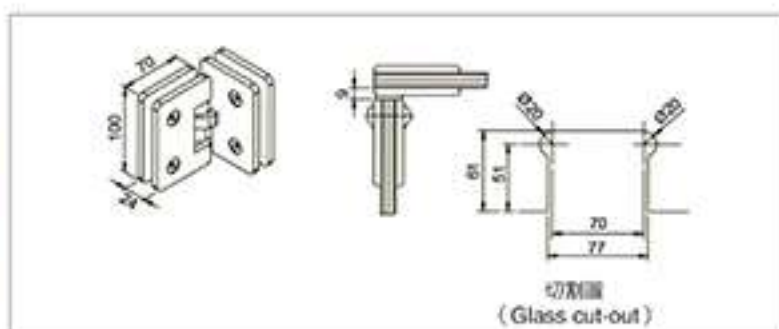
玻璃厚度 (Glass thickness) : 8-10mm

使用2個鉸鏈 (Using 2 Hinge) :

最大門寬 (Max door width) : 900mm

最大載重 (Max weight) : 60kg

SK124



Auto Spring Hinge

材質 (Material) : 鍍造銅 (Brass)

自動迴轉85°-0° (Auto closing 85°-0°)

玻璃對牆壁90度 (Glass to wall 90°)

玻璃厚度 (Glass thickness) : 8-10mm

使用2個鉸鏈 (Using 2 Hinge) :

最大門寬 (Max door width) : 900mm

最大載重 (Max weight) : 60kg

SK101



Adjust Spring Hinge

材質 (Material) : 銅活鋼 (Brass)
 玻璃厚度 (Glass thickness) : 8-10mm
 使用2個鉸鏈 (Using 2 Hinge) : 最大門寬 (Max door width) : 800mm
 使用3個鉸鏈 (Using 3 Hinge) : 最大門寬 (Max door width) : 900mm
 最大載重 (Max weight) : 36kg



SK102



Adjust Spring Hinge

材質 (Material) : 銅活鋼 (Brass)
 玻璃厚度 (Glass thickness) : 8-10mm
 使用2個鉸鏈 (Using 2 Hinge) : 最大門寬 (Max door width) : 800mm
 使用3個鉸鏈 (Using 3 Hinge) : 最大門寬 (Max door width) : 900mm
 最大載重 (Max weight) : 36kg

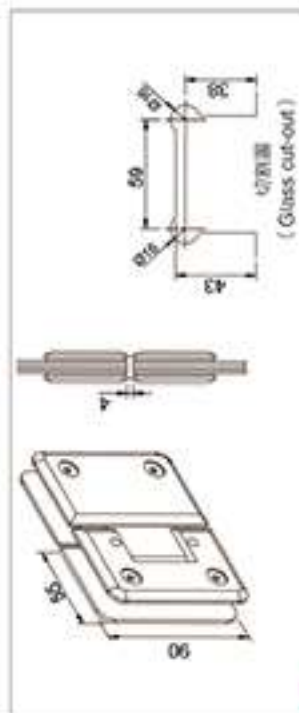


SK103



Adjust Spring Hinge

材質 (Material) : 銅活鋼 (Brass)
 玻璃厚度 (Glass thickness) : 8-10mm
 使用2個鉸鏈 (Using 2 Hinge) : 最大門寬 (Max door width) : 800mm
 使用3個鉸鏈 (Using 3 Hinge) : 最大門寬 (Max door width) : 900mm
 最大載重 (Max weight) : 36kg

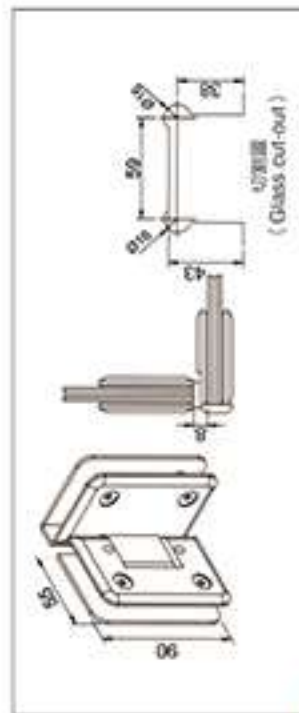


SK104



Adjust Spring Hinge

材質 (Material) : 銅活鋼 (Brass)
 玻璃厚度 (Glass thickness) : 8-10mm
 使用2個鉸鏈 (Using 2 Hinge) : 最大門寬 (Max door width) : 800mm
 使用3個鉸鏈 (Using 3 Hinge) : 最大門寬 (Max door width) : 900mm
 最大載重 (Max weight) : 36kg



SK105



Adjust Spring Hinge

材質 (Material) : 銅活鋼 (Brass)
 玻璃厚度 (Glass thickness) : 8-10mm
 使用2個鉸鏈 (Using 2 Hinge) : 最大門寬 (Max door width) : 800mm
 使用3個鉸鏈 (Using 3 Hinge) : 最大門寬 (Max door width) : 900mm
 最大載重 (Max weight) : 36kg

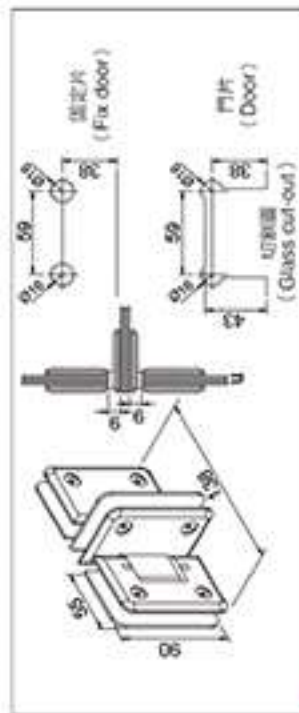


SK106



Adjust Spring Hinge

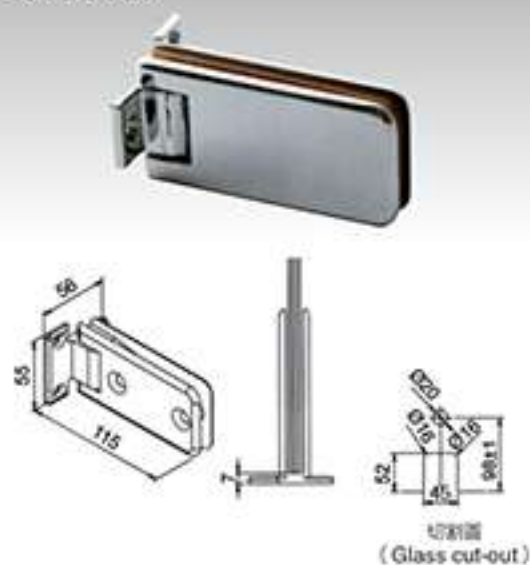
材質 (Material) : 銅活鋼 (Brass)
 玻璃厚度 (Glass thickness) : 8-10mm
 使用2個鉸鏈 (Using 2 Hinge) : 最大門寬 (Max door width) : 800mm
 使用3個鉸鏈 (Using 3 Hinge) : 最大門寬 (Max door width) : 900mm
 最大載重 (Max weight) : 36kg



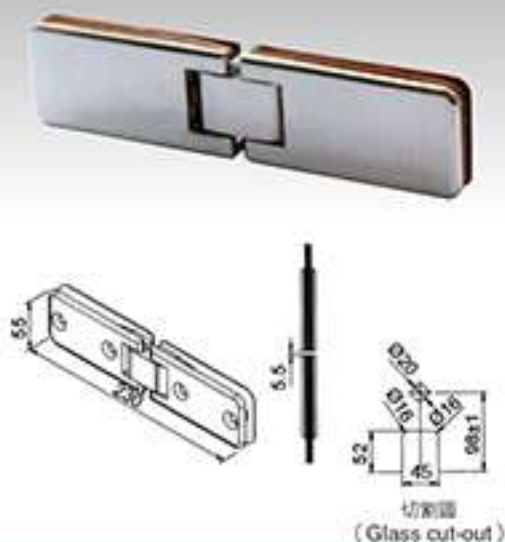
JIA - 010.0100



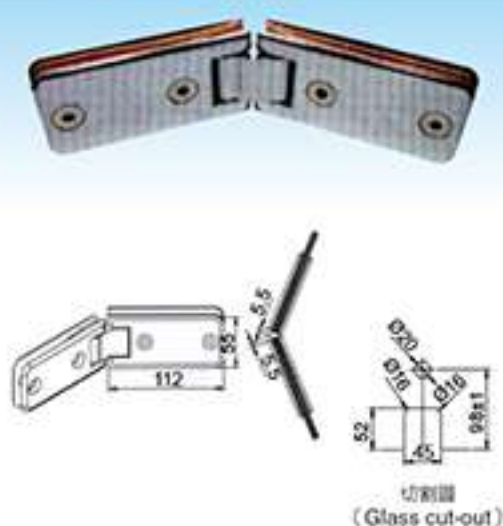
JIA - 010.0101



JIA - 010.0102



JIA - 010.0103



JIA - 010.0104



Spring Hinge

- 材質 (Material) : 鍛造銅 (Brass)
 玻璃對牆壁90度 (Glass to wall 90°)
 玻璃厚度 (Glass thickness) : 8-10mm
 使用2個鉸鏈 (Using 2 Hinge) :
 最大門寬 (Max door width) : 850mm
 最大載重 (Max weight) : 45kg
 使用3個鉸鏈 (Using 3 Hinge) :
 最大門寬 (Max door width) : 950mm
 最大載重 (Max weight) : 60kg

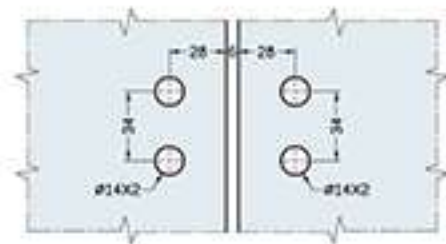
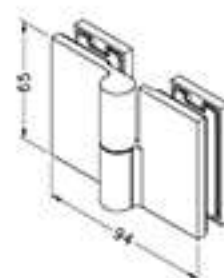
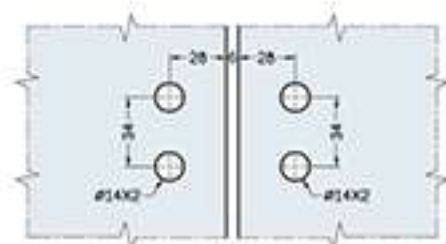
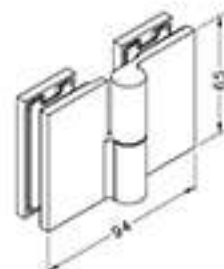
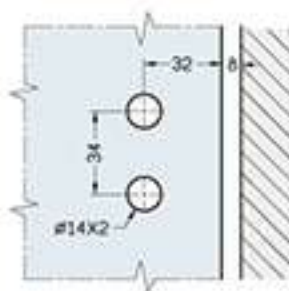
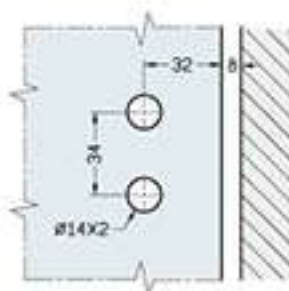
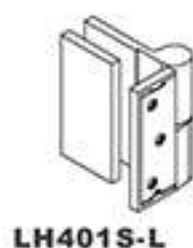
UNIT : mm

LH400 Series

Material Brass Door Thickness(mm) 6~8mm 1/4"-5/16"

Maximum Capacities	6mm(1/4")		8mm(5/16")	
	Weight	Door Width	Weight	Door Width
Using 2 Hinges	36kgs (80 / lbs)	800mm(32")	36kgs (80 / lbs)	800mm(32")

UNIT:mm



Patch Fittings

JIA DL810C



JIA DL21



JIA DL100C



JIA DL820CS



JIA DL22



JIA DL200C



JIA DL830C



JIA DL23



JIA DL220C



JIA DL400C



JIA DL23S



JIA DL300C



JIA DL400CS



JIA DL24



JIA DL300CS



JIA DL850C



JIA DL25



JIA DL800C



JIA DL410C



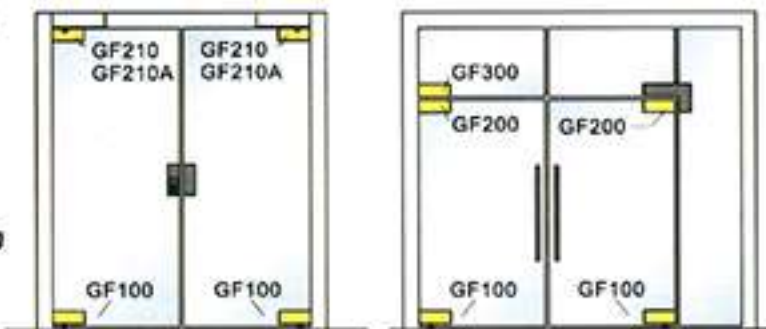
JIA DL26



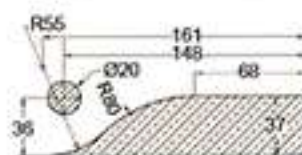
Material	Material No.	Cover Finish
Stainless Steel	SUS304	PSS,BSS,PVD
	SUS316	
Aluminium	1050	AL,CL,DU,DB
Brass	C2680	PB,BSB

- { PSS:Polished Stainless Steel
- { BSS:Brushed Stainless Steel
- { PVD:Polished Zirconium
- { AL:Brushed Aluminium Anodizing
- { CL:Matt Aluminium Anodizing
- { DU:Duranodic Aluminium Anodizing
- { DB:Brushed Duranodic Aluminium Anodizing
- { PB:Polished Brass
- { BSB:Brushed Satin Brass

Maximum Door Weight: 100kgs(220 lbs)
 Maximum Door Width: 1100mm(43")
 For 10mm(3/8")-12mm(1/2") Glass
 A dimensions: 70mm(2-3/4") and 65mm(2-9/16")



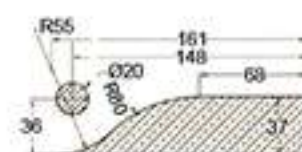
JIA GF100



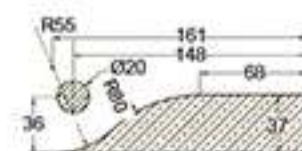
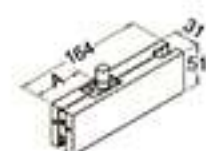
JIA GF200



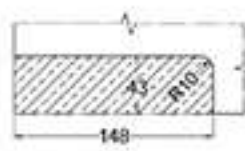
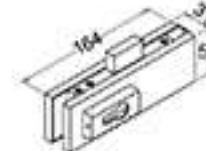
JIA GF210



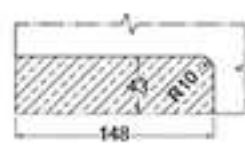
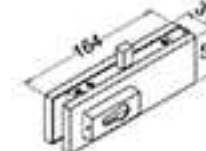
JIA GF300



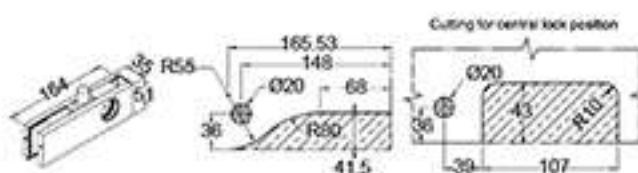
JIA GL100



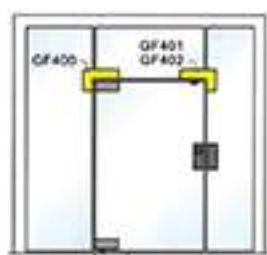
JIA GL100N



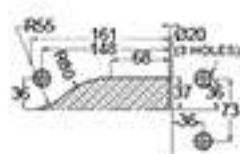
JIA GL600



UNIT:mm



JIA GF400



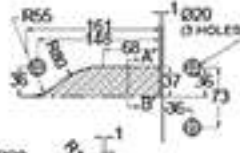
GF401 with stop insert



GF402 blank insert



JIA GF410-L



JIA GF410-R



Material	Material No.	Cover Finish
Stainless Steel	SUS304	PSS,BSS,PVD
	SUS316	
Aluminium	1050	AL,CL,DU,DB
Brass	C2680	PB,B5B

(PSS: Polished Stainless Steel

BSS: Brushed Stainless Steel

PVD: Polished Zirconium

AL: Brushed Aluminium Anodizing

CL: Matt Aluminium Anodizing

DU: Duranodic Aluminium Anodizing

DB: Brushed Duranodic Aluminium Anodizing

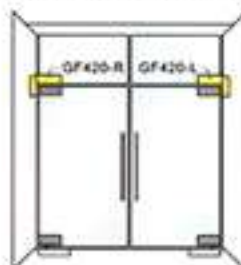
PB: Polished Brass

B5B: Brushed Satin Brass

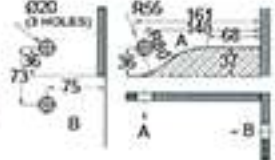
Maximum Door Weight: 100kgs(220 lbs)

Maximum Door Width: 1100mm(43")

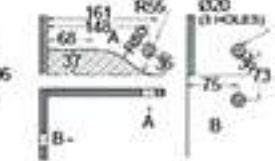
For 10mm(3/8")-12mm(1/2") Glass



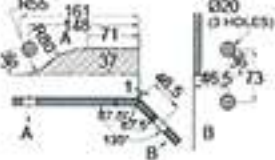
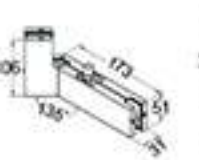
JIA GF420-L



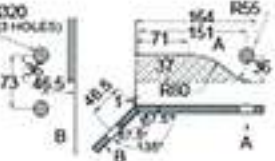
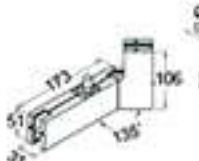
JIA GF420-R



JIA GF430-L



JIA GF430-R



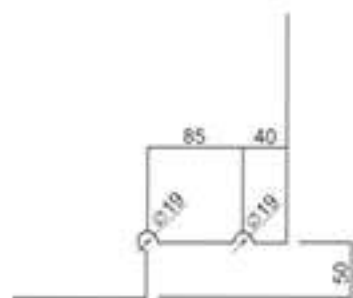
UNIT:mm



JB701LU PC/SN

JB701RU PC/SN

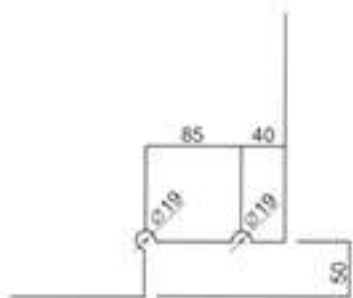
- *大包角 上包角 (鏡面 / 毛絲)
- *分左邊 / 右邊 (外看)
- *適用玻璃：10-12 mm



JB701LD PC/SN

JB701RD PC/SN

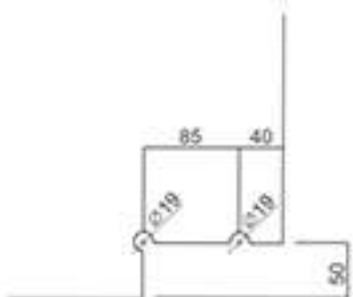
- *大包角 下包角 (鏡面 / 毛絲)
- *分左邊 / 右邊 (外看)
- *適用玻璃：10-12 mm



JB702L PC/SN

JB702R PC/SN

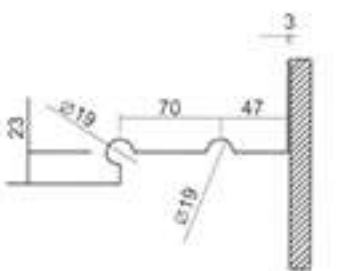
- *大包角 鎖孔(鏡面 / 毛絲)
- *分左邊 / 右邊 (外看)
- *適用玻璃：10-12 mm



JB703L PC/SN

JB703R PC/SN

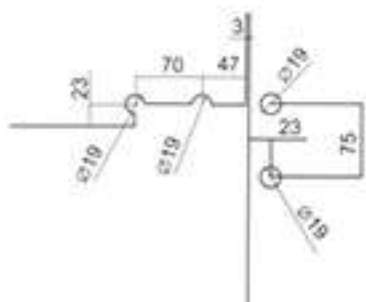
- *大包角 一字型(鏡面 / 毛絲)
- *分左邊 / 右邊 (外看)
- *適用玻璃：10-12 mm


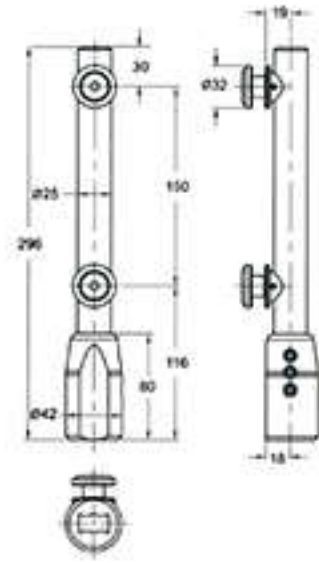

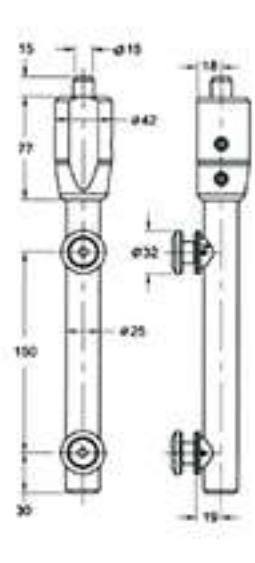

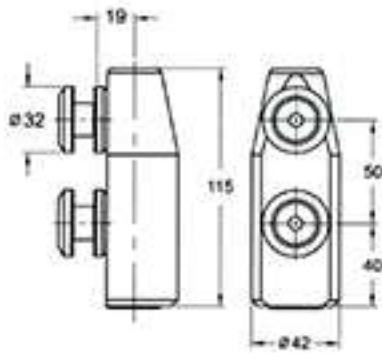

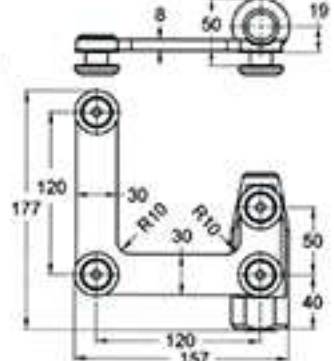

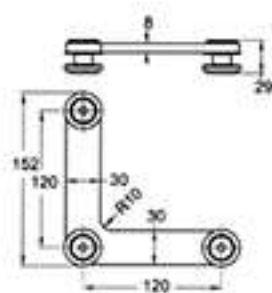

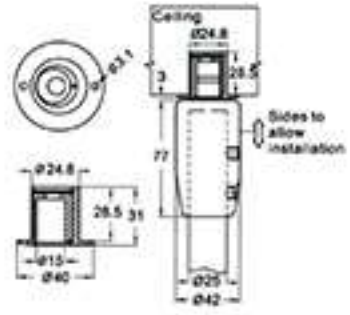


JB704L PC/SN

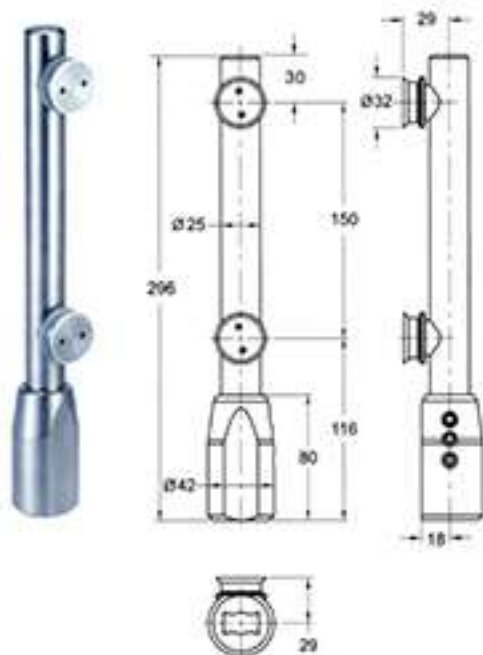
JB704R PC/SN

- *大包角 L型(鏡面 / 毛絲)
- *分左邊 / 右邊 (外看)
- *適用玻璃：10-12 mm

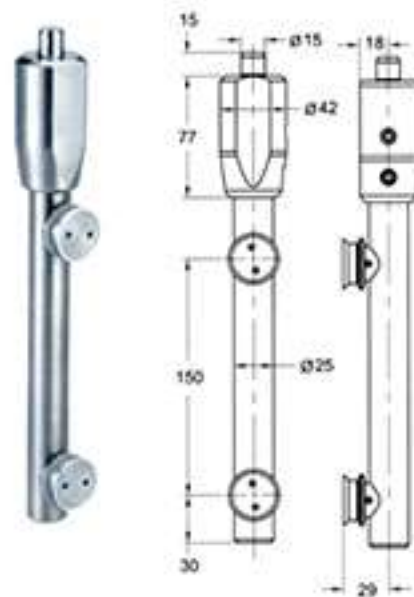


<p>JIA PD100F</p>  	<p>JIA PD200F</p>  
<p>JIA PD300F</p>  	<p>JIA PD400F</p>  
<p>JIA PD500F</p>  	<p>JIA PD700</p>  

PD100C



PD200C



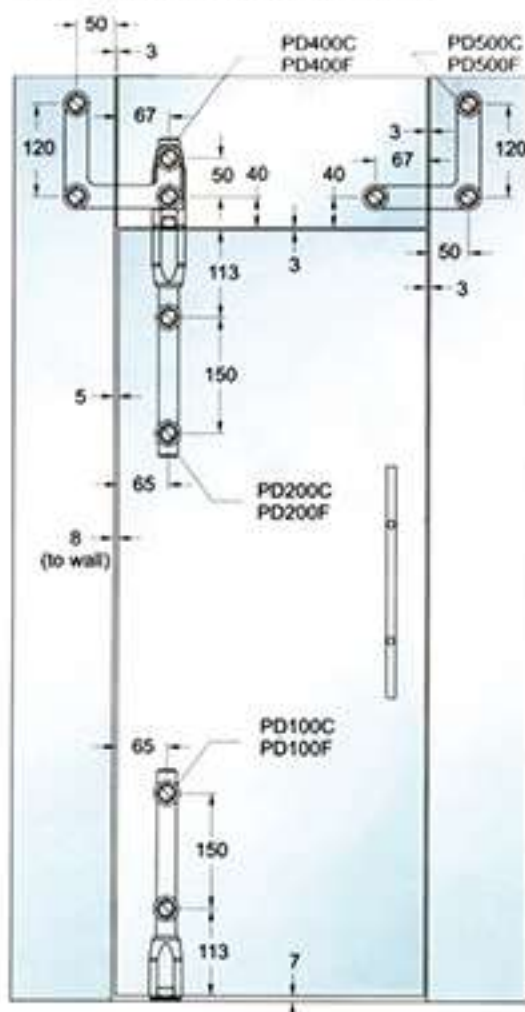
Material	Material No.	Cover Finish
Stainless Steel	SUS316	BSS or Raw finish

BSS-Brushed Stainless Steel

Maximum Door Weight: 80kgs(176 lbs)
 Maximum Door Width: 1200mm(47")
 Maximum Door Height: 2500mm(98")
 For 10mm(3/8")-12mm(1/2") Glass

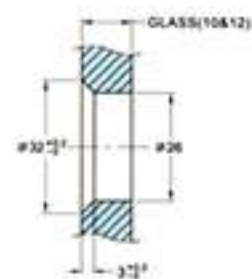
UNIT:mm

Specification & Glass Cut-Out



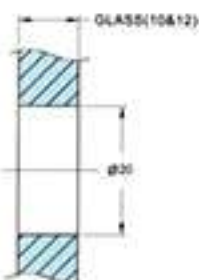
Countersink Type

Glass Cut-Out



Flat Type

Glass Cut-Out



PLG 外掛式電子玻璃門鎖

ELECTRONIC SMART RIM LOCK



PLG3521-RF

產品規格

材質	機體:鋅合金 / 觸控面板:4H PC強化塑膠
尺寸	外側:173mm(L) x 73mm(W) x 18mm(H) 內側:173mm(L) x 73mm(W) x 37mm(H)
開門方向	適用於任何開門方向使用
適用門厚	適用玻璃厚度10mm或12mm
電源	DC6V,AA (1.5V,LR6) 鹼性電池4顆
記憶容量	管理密碼:1組 使用密碼:6組 感應卡:100組
密碼按鍵	隱藏式冷光觸控按鍵
密碼	管理密碼:1組,6位數 使用密碼:6組,4~12位數
RFID	13.56MHz頻段
感應卡	NXP Mifare Classic標準相容卡片
感應距離	≤ 10mm
上鎖模式	自動上鎖或手動上鎖
防護警報	弱電警示、偵錯防護警報、破壞入侵警報、 關門不確實提示警報、高溫、火災警報
適用環境溫度	-20°C~70°C (不含電池)
適用環境濕度	30%~90% (RH) (無凝結狀態)

產品特性

-  密碼/感應卡·二合一開門方式
-  自動換向辨識功能·可自動辨識左、右開門方向·安裝簡易迅速·無須開孔
-  管理密碼設計, 可管控密碼與感應卡之新增與刪除
-  自動偵錯·虛位防護密碼
-  室內防盜上鎖設定, 增強防盜之安全性
-  防入侵·破壞·異常高溫警報
-  多段式音量調整, 並提供一次性靜音操作功能
-  抗高電壓電擊安全迴路設計
-  低電量警示與外部緊急電源開鎖
-  NCC認證 CCAN17LP0730T8

產品編號說明



PMX 智慧型觸控電子鎖



PMX00S41 (四合一)



PMX00S31 (三合一)

產品規格

材質	機體&把手:鈦合金 / 觸控面板:4H PC強化塑膠
尺寸	332mm (L) x 79mm (W) x 28mm (H)
開門方向	適用於任何開門方向使用
適用門厚	45mm~95mm
裝置距離	70mm
電源	DC6V,AA (1.5V,LR6) 鹼性電池4顆
記憶容量	指紋:30組 / 密碼:99組 / 感應卡:99張
指紋辨識	電容式
感應卡	Mifare S50相容
感應距離	≤ 10mm
密碼按鍵	隱藏式冷光觸控按鍵
密碼	4~8位數 / 1組管理密碼 / 99組使用密碼
上鎖模式	自動上鎖或手動上鎖
適用環境溫度	-20°C~70°C (不含電池)
適用環境濕度	30%~90% (RH) (無凝結狀態)

產品特性



指紋/密碼/感應卡/鑰匙,四種開門方式
或密碼/感應卡/鑰匙,三種開門方式



一卡通模式;可整合各類RFID卡、悠遊卡設定成為電子鑰匙



個別新增設定與個別刪除功能



動態與虛位防窺密碼設計



錯誤密碼按鍵鎖定防護功能



人性化語音導引提示



外側把手「上提閉鎖」專利設計



內側把手具備連動快開功能



自動上鎖與手動上鎖切換功能



低電量警示與外部 DC9V 緊急電源開鎖



美規商用重型鎖匣



NCC認證 CCAN17LP0800T3

PH 智慧型重型 / 歐規觸控電子鎖



PHC30S41(重型)
PHE30S41(歐規)



PHC30S31(重型)
PHE30S31(歐規)

產品規格

材質	機體&把手:鋅合金 / 觸控面板:4H PC強化塑膠
尺寸	外側: 354mm(L) x 77mm(W) x 22mm(H) 內側: 354mm(L) x 77mm(W) x 30mm(H)
開門方向	適用於任何開門方向使用
適用門厚	45mm~80mm
中心距	85mm
裝置距離	多段式重型鎖匣: 68mm 歐規鎖匣: 60mm或70mm
電源	DC12V,AA (1.5V,LR6) 鹼性電池8顆
記憶容量	指紋: 200組 / 密碼: 6組 / 感應卡: 20張
指紋辨識	電容式
感應卡	RFID非接觸式識別技術 100%相容 ISO 1443A/MIFARE規格
感應距離	≤10mm
密碼按鍵	隱藏式冷光觸控按鍵
密碼	6~12位數
上鎖模式	自動上鎖或手動上鎖
適用環境溫度	-20°C ~ 70°C(不含電池)
適用環境濕度	30% ~ 90% (RH) (無凝結狀態)

產品特性



指紋/密碼/感應卡/鑰匙,四種開門方式
或密碼/感應卡/鑰匙,三種開門方式



一卡通模式,可整合各類RFID卡·
悠遊卡設定成為電子鑰匙



錯誤密碼按鍵鎖定防護功能



混合式虛位防護密碼功能



語音導引提示



開·關門安全防護警報設計



非法入侵·破壞警報



自動上鎖與手動上鎖切換功能



低電量警示·外部 DC9V 緊急電源開鎖設計



專利結構設計·安裝簡易·快速



NCC認證 CCAN17LP0160T6

PFS 智慧型歐規觸控電子鎖



PFS14941

產品規格

材質	機體&把手：不鏽鋼 觸控面板：4H PC強化塑膠
尺寸	349mm(L)x 73mm(W) x 22mm(H)
開門方向	適用於任何開門方向使用
適用門厚	35mm~85mm
中心距	85mm
裝置距離	歐規鎖匣：60mm或70mm
電源	DC12V · AA (1.5V · LR6) 鹼性電池4顆
記憶容量	使用者-密碼10組 / 感應卡50組 / 指紋50組 管理者-密碼1組 / 指紋4組
指紋辨識	電容式
感應卡	RFID非接觸式識別技術 100%相容 ISO 1443A/MIFARE規格
感應距離	≤10mm
密碼	6~12位數
適用環境溫度	-10°C ~ 60°C (不含電池)
適用環境濕度	30% ~ 90% (RH) (無凝結狀態)

產品特性



指紋/密碼/感應卡/鑰匙 ·
四合一開門方式



可整合各類Mifare系統如悠遊卡 ·
一卡通等設定成為電子鑰匙



內、外側把手「上提閉鎖」功能



內側把手具備連動快開功能



虛位防竊密碼設計



錯誤密碼按鍵鎖定防護功能



語音導引提示



自動上鎖與手動上鎖切換功能



低電量警示&外部緊急電源
(Micro USB 外接電源孔)功能



隱藏式鑰匙孔設計



抗高壓電擊開鎖

YALE 指紋密碼型輔助鎖



PTR 按鍵式電子扳手鎖

ELECTRONIC KEYPAD LEVER LOCK



PTRS0S00

產品規格

- 材質 ▶ 鋅合金
- 尺寸 ▶ 外側:130mm(L)x 80mm(W)
內側:189mm(L)x 73mm(W)
- 開門方向 ▶ 適用於任何開門方向使用
- 適用門厚 ▶ 35mm~51mm
- 裝置距離 ▶ 60mm或70mm
- 開孔尺寸 ▶ 門扇表面安裝孔:Ø54mm(2-1/8")
鎖門孔:Ø25.4mm(1")
- 電源 ▶ DC6V,AA (1.5V,LR6) 鹼性電池4顆
- 記憶容量 ▶ 密碼:6組
- 密碼 ▶ 4~10位數 / 1組管理者密碼 / 6組使用者密碼
- 遙控器 ▶ 5組 (訂製規格)
- 上鎖模式 ▶ 自動上鎖或手動上鎖
- 鎖門 ▶ 60mm 或 70mm 可調式鎖門
- 鎖組 ▶ 5珠 (Kwikset Keyway) 鎖組為標準規格
- 適用環境溫度 ▶ -20°C~70°C (不含電池)
- 適用環境濕度 ▶ 30%~90% (RH) (無凝結狀態)

表面處理別

東隆代碼	US代碼	說明
0S	US15	砂面鍊 SN
39	12P	黑紅古 VB

產品特性

-  密碼/鑰匙/遙控器 (訂製), 二合一 或 三合一開門方式
-  可設定6組開/關門子密碼, 及5組遙控器(訂製)
-  一次性密碼功能
-  自動上鎖功能
-  防亂按錯誤密碼防護功能
-  節電模式與低電量警示
-  NCC認證 CCAB13LP431BT1

產品編號說明



PL1R 按鍵式電子輔助鎖

KEYPAD DEADBOLT LOCK



PL1R-0S10

產品特性



密碼/鑰匙/遙控器(訂製),
二合一或三合一開門方式



可設定6組開/關門子密碼,
及5組遙控器(訂製)



一次性密碼功能



防亂按錯誤密碼防護功能



節電模式與低電量警示

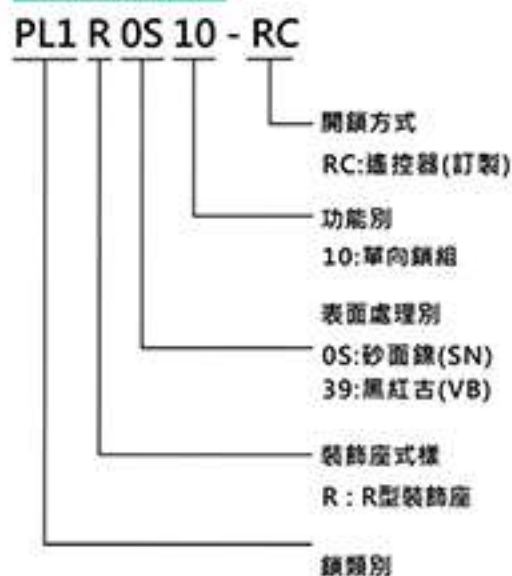
產品規格

材質	鋅合金
尺寸	外側:130mm(L)x 80mm(W) 內側:189mm(L)x 73mm(W)
開門方向	適用於任何開門方向使用
適用門厚	35mm~51mm
裝置距離	60mm或70mm
開孔尺寸	門扇表面安裝孔:Ø54mm(2-1/8") 鎖門孔:Ø25.4mm(1")
電源	DC6V,AA (1.5V,LR6)鹼性電池4顆
記憶容量	密碼:6組
密碼	4~10位數 1組管理密碼 6組使用密碼
遙控器	5組(訂製規格)
上鎖模式	自動上鎖或手動上鎖
鎖門	60mm或70mm可調式鎖門
鎖組	5珠(Kwikset Keyway)鎖組為標準規格
適用環境溫度	-20°C~70°C(不含電池)
適用環境濕度	30%~90%(RH)(無凝結狀態)

表面處理別

東隆代碼	US代碼	說明
0S	US15	砂面鍍 SN
39	12P	黑紅古 VB

產品編號說明



PL2S

觸控式電子輔助鎖

ELECTRONIC TOUCHPAD DEADBOLT LOCK



PL2S0S10-RF
(三合一)



PL2S0S10-H/B
Z-WAVE/BLUETOOTH版



PL2S0S10-J
二合一(飯店版)

產品特性 三合一



密碼/感應卡/鑰匙,三種開門方式



一卡通模式,
可整合各類RFID卡(如悠遊卡)
設定成為電子鎖匙



觸控感應面板



亂序前導碼設計



錯誤密碼按鍵鎖定防護功能



具備個別新增設定與個別刪除功能



一次性密碼功能



節電模式與低電量警示



NCC認證 CCAN18LP0290T1

產品特性 二合一(飯店版)



卡片/鑰匙·二合一開門方式



支援飯店多樣管理與多區域管理模式



提供Multi client 多櫃台模式



提供後端資料庫備份及還原作業



可搭配感應式節電座,
有效控管電力並回傳訊息至監控主機



提供鎖王管理系統搭配使用

產品特性 Bluetooth 版 / Z-WAVE 版



密碼/鑰匙/ Z-WAVE 三合一開門方式 或
密碼/鑰匙/ BLUETOOTH三合一開門方式



支援 Z-WAVE 聯網 (Z-WAVE 規格)
手機APP遠端開、閉鎖功能



支援 Bluetooth 聯網 (Bluetooth 規格)
手機APP開、閉鎖功能



具備個別新增設定與個別刪除功能



一次性密碼與
電子功能暫時性失效模式



亂序前導碼設計



錯誤密碼按鍵鎖定防護功能



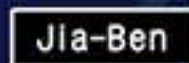
鎖門定位點自動偵測與關門異常警示



節電模式與低電量警示



JIA-BEN



☎ 02-2288-4072

☎ 02-8286-1865

🏠 新北市蘆洲區長榮路520號

✉ a0933226012@yahoo.com.tw

統一編號：12819250